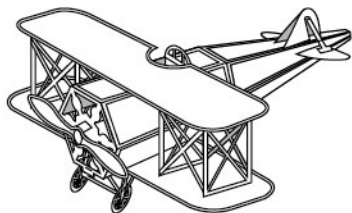
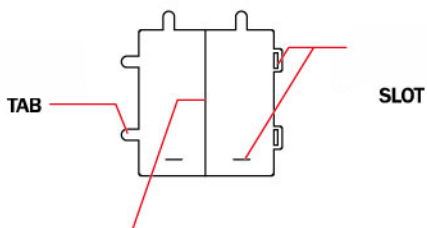


Steel 3D Model Assembly

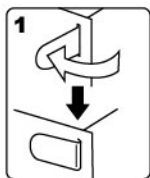
The Fokker D-VII is a German single-seat Fokker Biplane fighter. First flown in 1918, it was considered the best fighter at the time and formidable in the hands of a skilled pilot.



Fokker D-VII

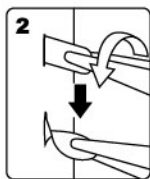


BENDING LINE (REFER TO INSTRUCTIONS)



Fitting method 1

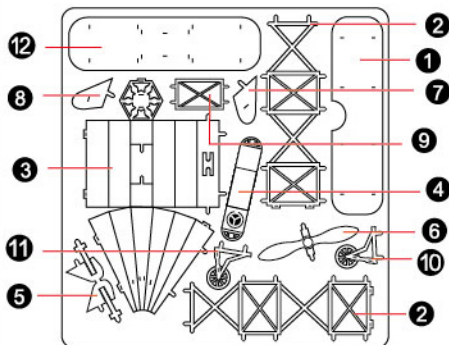
Place tab in slot, bend properly where indicated with a ●.



Fitting method 2

Place tab in slot, bend tab vertically with pliers where indicated with a ▲.

Although the model can be assembled by hand, needle-nose pliers (not supplied) may be used for more efficient results and are recommended if available



Part Position and Indicating Number

Remove the pieces from the sheet, then follow the below instructions:

- Fit the pieces pattern side outwards unless otherwise indicated

