

VS
SASSOON

FOR MEN



THE LITHIUM CUT

TOOL TIPS

for the lithium powered clipper for professional,
at-home hair cutting.

VSM7473A

HEY YOU!
TAKE A BOW FINE SIR.

THINGS ARE LOOKING UP
& **YOU'VE JUST MADE A
QUALITY PURCHASE**
WITH THIS NEW GROOMING TOOL.

WE KNOW YOU'VE GOT THIS, BUT BEFORE YOU JUMP INTO
USING YOUR NEW SIDE KICK, HERE'S A FEW TIPS & TRICKS
TO KNOW BEFORE LETTING YOUR CREATIVITY RUN LOOSE.

HIT UP VSFORMEN.COM.AU FOR MORE GROOMING & INSPIRATION.



IMPORTANT SAFETY INSTRUCTIONS

When using electrical appliances, especially when children are present, basic safety instructions should always be followed, including the following:

Polythene bags over product or package may be dangerous. To avoid danger of suffocation, keep this wrapper away from babies and children. This bag is not a toy.

DANGER: When the unit is used in a bathroom, unplug it after use since the proximity of water presents a hazard even when the appliance is switched off



WARNING: Do not use or leave the adaptor in a position where it can become wet or there is a danger of it falling into a basin or other vessels containing water. Keep the appliance dry, unless it otherwise specified. Do not use this appliance in or near bathtubs, showers, basins or other vessels containing water.

- Do not immerse appliance in water or other liquids.
- Do not reach for an appliance that has fallen into water. Unplug immediately.
- Take care to avoid contact between the moving blades of the unit and the skin, paying particular attention to the face, neck and hands.
- This appliance is not intended for use by persons (including children) with reduced physical, sensory or mental capabilities, or lack of experience and knowledge, unless they have been given supervision or instruction concerning use of the appliance by a person responsible for their safety.
- Children should be supervised to ensure that they do not play with the appliance.

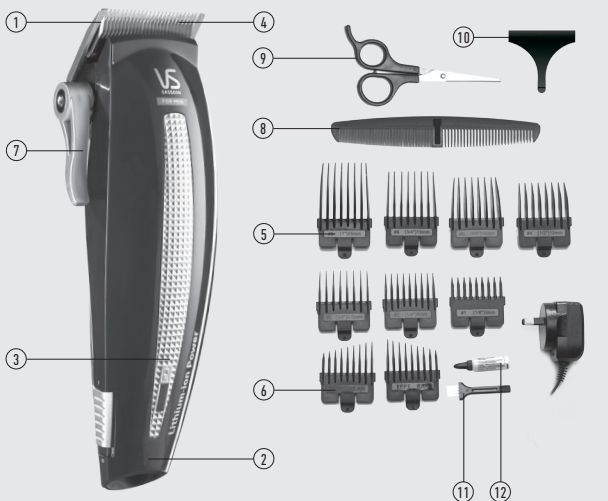
IMPORTANT: Always unplug the appliance when not in use or before cleaning. Do not leave unattended when plugged in or switched on. Do not place on any heat sensitive surface.

- Do not use any attachments other than those supplied by Conair Australia Pty Ltd.
- Use this appliance only for its intended use as described within this instruction booklet.
- Always unplug the appliance when fully charged.
- This appliance is not intended for commercial use.
- Never drop or insert any object into an opening.
- Do not use the appliance with damaged or broken attachment combs or with any teeth missing from the blades, as injury may occur.
- Do not place on any surface while it is operating.
- Keep the cord away from heated surfaces
- Never twist or pull on the power cord.
- Do not use an extension cord with this appliance.
- After use do not wrap the cord around the appliance as in time this may cause the cord to fracture. Coil cord loosely by the side of the appliance in storage.
- Do not use outdoors or operate where aerosol (spray) products are being used or where oxygen is being administered.
- Do not use the appliance if it is damaged. In the event of damage, discontinue use immediately and contact your dealer for instructions on returning it for examination or exchange. If the supply cord is damaged, it must be replaced by the manufacturer, its service agent or similarly qualified person in order to avoid a hazard.
- Always ensure that the voltage to be used corresponds to the voltage marked on the unit.

THE LITHIUM CUT

BRAVO. YOU'VE MADE A QUALITY PURCHASE.

The Lithium Cut is the lithium powered clipper for professional, at-home hair cutting.



1. Diamond sharpened blades
2. Cord/Cordless use
3. DC direct drive motor
4. 45mm clipping blade

5. 7 cutting comb guides - grades #1, #2, #3, #4, #5, #6 & #8 comb guides (3mm to 19mm + 25mm) for cutting, shaping & fading

6. Left + right ear taper cutting comb guides for the finishing touches around the ears
7. 5 position taper control

8. Barber comb
9. Scissors
10. Blade guard
11. Cleaning brush
12. Oil

PREPPING YOUR NEW TOOL

CHARGING

The Lithium Cut clipper is so easy to use. But before you start using your new tool, you must take the time to charge it overnight for **3 hours** before its first use. Your new tool comes with a small amount of charge, but the initial charge will ensure your new tool will have optimum power performance to give you smooth fast cutting, every time.

- Before using for the first time, fully charge your new tool continuously for 3 hours.
- Maximum battery capacity will only be reached after 3 charging & discharging cycles.
- Ensure your new tool is switched off.
- Insert the small plug on the charging adaptor into the socket on the bottom of your new tool.
- Plug the charging adaptor into a suitable mains power socket and switch on.
- The red charging LED indicator light on your new tool will flash when correctly connected to the mains power, and will continuously flash until the battery has fully charged.
- When the battery is fully charged, the LED indicator light will stop flashing, but remain on.
- A full charge of 3 hours will supply 75 minutes cordless runtime.
- A quick charge of 15 minutes will supply 15 minutes cordless runtime.
- When the clipper is running low on charge, the LED indicator light will flash, warning you there is approximately 3 minutes left of battery use remaining.
- If the charging light suddenly starts to flash rapidly (more than 4 flashes per second) then the appliance is faulty. If this happens then please stop charging and remove the adaptor from the mains and contact our customer care centre for further advice (see the "warranty section" section of the information booklet).

MAINS OPERATION

To use the clipper connected to mains power:

- Ensure your new tool is switched off.
- Insert the small plug on the charging adaptor into the socket on the bottom of your new tool.
- Plug the charging adaptor into a suitable mains power socket and switch on.
- The red LED charging light will flash when the adapter is correctly inserted into the appliance and connected to an outlet
- Switch the clipper on – **NOTE** - if the battery is weak and low on battery charge, wait approx. 1 min before switching the clipper on.
- **NOTE:** The clipper should not be used for longer than 20 minutes when operated with the cord.

OILING THE BLADES

To get the sharpest, most precise cut, it is highly recommended to oil the blades before each use.

Using the oil supplied with your new tool, unscrew the cap & cut off the very end of the plastic tube with a pair of scissors to release the oil.

Switch your tool on, gently squeeze the oil tube & apply 2 drops of oil onto the blades. Leave the tool on for a further few seconds to allow the oil to thoroughly spread across each of the blades. Switch off the tool & remove any excess oil by gently dabbing with a cloth.

HOW TO USE THE LITHIUM CUT

BEFORE USING

- Always inspect the clipper blades for noticeable signs of damage.
- Ensure the clipper blades are well oiled before using.
- Always inspect the clipper blades before use to ensure they are free from hair, debris etc.
- Ensure the clipper is sufficiently charged before use.
- For best performance use on clean, dry hair that has been combed until tangle-free.

5 POSITION TAPER CONTROL

The 5 position taper control for is designed for blending layers & a precise close trim, everytime.

- To increase the cutting length, push the lever down.
- To reduce the cutting length, push the lever up.

EASY CLIPPING, YOUR WAY

The Lithium Cut features 7 cutting comb guides - grades #1, #2, #3, #4, #5, #6 & #8 comb guides (3mm to 19mm + 25mm) for cutting, shaping & fading and left + right ear taper cutting comb guides for the finishing touches around the ears.

The comb guides are marked with the following grade number:

Cutting Length	Grade
3mm	#1
6mm	#2
9.5mm	#3
13mm	#4
16mm	#5
19mm	#6
25mm	#8
Ear taper	Left
Ear taper	Right

- To attach a comb guide, ensure the appliance is switched off. Position the comb guide over the front of the clipper blade and slide over the head. Push and click the rear of the comb guide into position.
- To remove the comb guide, ensure the appliance is switched off. Push the tab on the rear of the comb guide away from the head and lift off.
- To attach the ear comb guides, choose either the left or right guide depending on which ear you are cutting above. Angle the clipper and gently stroke around the ear towards the back of the neck.

CLIPPING TIPS

Hit up www.vsformen.com.au for more grooming tips, inspiration & guidance on how to get the best use of your clipper.

CREATING AN ALL-OVER EVEN CUT

1. Ensure the clipper is switched off.
2. Attach the desired cutting comb guide as required.
3. Switch the clipper on – the blades will start to move.
4. Start cutting at the nape of the neck, holding the clipper with the teeth of the clipper pointing upwards, ensuring that the comb guide is resting flat against the head.
5. Slowly move the clipper upwards and outwards through the hair towards your crown, against the direction of the hair growth. The comb guide will help to lift the hair and the blades will cut the hair to the length as shown on the comb guide.
6. Once the desired length is achieved at the back of the hair, start clipping the top and sides.
7. Hold the clipper to the front of your hair with the teeth pointing towards the back of your head, and move the clipper towards your crown. Repeat as necessary, moving in rows from the front and the sides of your head to the back.
8. For finishing around the ears, attach the required ear taper comb guide and trim down any longer hairs around the ears.

CREATING A SHORT BACK & SIDES LOOK, WITH LENGTH ON THE TOP

1. Ensure the clipper is switched off.
2. Attach the desired cutting comb guide as required.
3. Switch the clipper on – the blades will start to move.
4. Hold the clipper to the front of your hair with the teeth pointing towards the back of your head and move the clipper towards your crown. Repeat as necessary, moving in rows from the front and the sides of your head to the back.
5. If you then wish to take the back and sides of your hair to a shorter length, switch off the appliance and attach a shorter comb guide.
6. Start cutting at the nape of the neck, and with the comb guide flat against the head, move the clipper upwards and outwards over the area you want to take shorter.
7. Repeat on the sides of the hair, starting with the teeth of the clipper pointing upwards and comb guide flat against the area above the ear, again moving the clipper upwards and outwards.

OUTLINING

1. To tidy up the edges around your cut e.g. neckline and sideburns, detach the comb guides.
2. Hold the clipper upside down, so the front of the clipper is facing towards your head.
3. Hold the clipper straight on your sideburns or neckline and move the clipper downwards. This will give you a clean, smooth finish.

CLIPPER CLEANING & MAINTENANCE

Because the clipper blades are precision made for a very special use, they should always be handled with care. To ensure long-lasting performance of your clipper, it is important to clean the blades + the comb guides after every use.





After each use, clean the clipper blade set as follows:

1. Switch the clipper off or unplug from the power outlet if it is charging.
2. Using the cleaning brush, gently brush and blow any hairs from the blade set and head of your clipper.
3. Remove the blades carefully noting which way round they are fitted. This will help with re-assembling.
4. Remove the two screws from the large fixed blade and detach this blade.
5. Now brush away the hair and other debris from the interior of the cutting head and blades.
6. Re-assembly is simply the reverse of the above instructions.
7. Finally, before fully tightening the two screws in the large blade, to avoid injury ensure that the blades are correctly aligned. With the taper control lever fully forward, the tips of the small blade must be parallel with and 1mm below the tips of the large blade. Also check that the extreme left hand tooth of the small blade is inside the large blade. (Failure to do so could cause injury).
8. Carefully tighten the two screws in the big blade, taking care not to disturb the above correct position of the blades
9. After replacing the blade set, always remember to oil the blade of your clipper.

NOTE: Do not attempt to repair or replace the blades. In the event that the blades become blunt or damaged, contact the Conair Customer Service.

WORLDWIDE VOLTAGE

This appliance has a multi voltage feature for worldwide use. The voltage automatically converts for ease of use from 100v - 240v. This appliance has an automatic internal converter which will automatically convert the voltage without the need of a switch. A suitable plug adaptor will be required, please refer to the chart below.

Plug adaptor required	Voltage and plug adaptors	Country	Voltage setting
	British plug: 240V	Ireland, Great Britain, Singapore, South America, Hong Kong (parts only), Africa (parts only)	240V
	European plug: 240V	Asia, Europe, Middle East Noumea, Scandinavia, South America, Hong Kong (parts only)	240V
	Australian and New Zealand plug: 240V	Australia, New Zealand	240V
	American plugs: 120V	North America, Japan, Canada (parts of)	120V

BATTERY DISPOSAL

The Lithium Cut clipper contains a Lithium-ion battery. To protect the environment, the appliance must be disposed of safely at the end of its useful life.



LI-ION

Please take the appliance to a recycling centre, where the internal rechargeable battery should be removed by a professional and recycled separately.

For more information about the recycling of electrical and battery operated appliances, please contact your local council office or your household waste disposal service.

LIMITED TWO YEAR WARRANTY

Our goods come with guarantees that cannot be excluded under the Australian Consumer Law. You are entitled to a replacement or refund for a major failure and for compensation for any other reasonably foreseeable loss or damage. You are also entitled to have the goods repaired or replaced if the goods fail to be of acceptable quality and the failure does not amount to a major failure. In New Zealand our goods come with a guarantee that cannot be excluded under the Consumer Guarantee Act 1993.

Conair Australia Pty Ltd. will repair or replace (at our option) your appliance free of charge for twenty-four months from the date of purchase if the appliance is defective in workmanship or materials.

This warranty is an additional benefit and does not affect your legal rights. To obtain service under this warranty, please read the Warranty Leaflet included or contact Conair Customer Service at aus_info@conair.com.

**TO MAKE A WARRANTY CLAIM YOU MUST
RETAIN YOUR PROOF OF PURCHASE.**



Vidal Sassoon and related logos are trademarks of
The Procter & Gamble Company used under license by Conair.

©2017 Conair Australia Pty. Ltd.
Suite 101, 18 Rodborough Rd
Frenchs Forest NSW 2086
Australia

Conair New Zealand Limited
PO BOX 251159
Pakuranga, Auckland 1706
New Zealand

CONTACT US

For advice & tips on your new VS product email us on:
aus_info@conair.com

CUSTOMER SERVICE

Australia: 1800 650 263
New Zealand: 0800 266 247

Visit VSFORMEN.COM.AU for grooming tips & inspiration.

VS
SASSOON

FOR MEN

**YOU WERE
BORN TO
BE REAL,
NOT TO BE
PERFECT**

IB-16/299B