



PowerPlus 18V Angle Grinder CT18VGRNDRA

USER MANUAL



Table of Contents

Safety Warnings.....	2
Workplace Safety.....	2
Electrical Safety.....	2
Battery Safety.....	2
Personal Safety.....	3
Tool Operation and Handling.....	3
Grinder Specific Warnings.....	4
Product Layout.....	5
Before Starting the Equipment.....	5
Charging the Battery Pack.....	5
Changing the Tool.....	6
Attaching the Auxiliary Handle.....	6
Adjusting the Grinding Guard.....	6
Installing the Grinding Disc.....	6
Removing the Grinding Disc.....	6
Switch.....	7
Grinding.....	7
Cutting-off.....	7
Tool Care.....	8
Cleaning.....	8
Maintenance.....	8
Product Specifications.....	8

This equipment complies with safety regulations required for electrical equipment. Read through the instructions of use before starting up the equipment.

Improper use can lead to personal injury and property damage. Persons who are not familiar with the instructions should not operate the equipment. Keep these instructions handy for future reference.

Children should never use or be left alone with the equipment.

This unit is designed for grinding, roughing and polishing metals, rocks and ceramics with the right accessories. This unit is not designed for the cutting of any materials.

Kogan.com assumes no liability whatsoever for improper use or if the unit itself has been tampered with.

Safety Warnings

Please read all safety notes and instructions.

Failure to comply with the safety notes and instructions can lead to electric shock, fire and/or serious personal injury.

Keep all safety notes and instructions handy for future reference.

The term “electric tool” used in the safety notes may refer to powered electric tools (with a power cord) or to cordless electric tools (without a power cord).

Workplace Safety

- Keep the workplace clean and well lit. Cluttered and unlit workspaces can lead to accidents.
- Do NOT use the power tool in an environment where there is danger of explosions, such as places with flammable liquids, gases or dust. Power tools produce sparks, which could ignite the dust or vapors.
- Keep children and other persons away while the power tool is in operation. In case of distraction, the operator may lose control over the tool.

Electrical Safety

- The connector plugs of the electric tool must fit into the power outlet correctly. The connector must not be modified in any way. Never use adaptor connectors together with power tools. Unmodified connectors and suitable power outlets reduce the risk of electric shock.
- Avoid contact with earthed surfaces such as pipes, heaters, hearths and refrigerators. If your body is grounded, there is an increased risk of shock.
- Keep power tools away from rain and moisture. If water enters a power tool, there is an increased risk of electric shock.
- Do NOT use the power cable to carry or suspend power tools, nor to unplug the connector from the power outlet. Keep the cable away from heat, oil, sharp edges or moving parts. Damaged or entangled cables increase the risk of electric shock.
- When using a power tool outdoors, only use extension cables which are suitable for outdoor use. Using an extension cable which is not suitable for outdoor use increases the risk of electric shock.
- If the usage of the power tool in a wet environment is unavoidable, use a residual current device (RCD). This will reduce the risk of electric shock.

Battery Safety

- Only use the battery and charger supplied with the grinder. Use of a different charger or battery increases the risk of fire or malfunction.
- Keep batteries away from paperclips, coins, keys, nails, screws or other small metal objects that may cause bridging of the contacts.
- If ruptured or mistreated, fluid may escape from the battery. Avoid contact with this fluid. In case of accidental contact with the fluid, flush with water thoroughly. If the fluid enters the eyes or mouth, flush with water and seek urgent medical assistance.

Personal Safety

- Be careful, watch what you are doing, and use common sense when working with a power tool. Never use a power tool when you are tired or under the influence of alcohol, drugs or medicine. One moment of inattention when using a power tool can result in serious injuries.
- Wear personal protective clothes and always wear safety goggles. Wearing personal protective clothing, such as a dust mask, non-slip safety boots, a hard hat or hearing protection, depending on the kind of operation of the tool, reduces the risk of injuries.
- Avoid accidental operation of the tool. Make sure the power tool is turned off before connecting it to the mains/battery, picking it up or carrying it. Keeping your finger on the switch while carrying it, or leaving the power tool set to ON when you connect it to the mains can result in accidents.
- Remove any setting tools or spanners before turning the power tool on. A tool or spanner located in a rotating part can lead to injuries.
- Avoid an unnatural posture. Make sure you have a safe foothold and always maintain your balance. This makes it easier to control the power tool in unexpected situations.
- Wear suitable clothing. Do NOT wear wide clothing or jewellery. Keep hair, clothes and gloves away from moving parts. Loose clothing, jewellery or long hair can get caught in moving parts.
- If dust suction and collection devices are mounted, be sure that these are connected and used properly. Using a dust suction device can reduce risks related to dust.

Tool Operation and Handling

- Do not overload the device. Use the proper tool for the type of work to be performed. When using the suitable power tool, you can work faster and more safely within the specified power range.
- Never use a power tool if it's switch is defective. A power tool, which cannot be turned on or off, is dangerous and must be repaired.
- Unplug the connector from the power outlet and/or remove the rechargeable battery before performing any settings on the device, changing accessories or storing the device. These safety precautions prevent the accidental start of the power tool.
- Keep unused power tools out of reach of children. Never allow the device to be used by people who are not familiar with it or who have not read the instructions. Power tools are dangerous when they are used by inexperienced persons.
- Maintain the power tools carefully. Check if the movable parts work correctly and do not jam. Ensure parts are not broken or damaged to such a degree that they may affect the proper functioning of the power tool. Make sure that damaged parts are repaired before using the device. Many accidents are the result of badly maintained power tools.
- Keep cutting tools sharp and clean. Carefully maintained cutting tools with sharp cutting edges are less prone to jamming and are easier to handle.

- Use the power tool, accessories, insertion tools etc. in accordance with these instructions. Always take into consideration the working conditions and the task to be performed. The usage of power tools for other than the designed purposes can lead to dangerous situations.

Grinder Specific Warnings

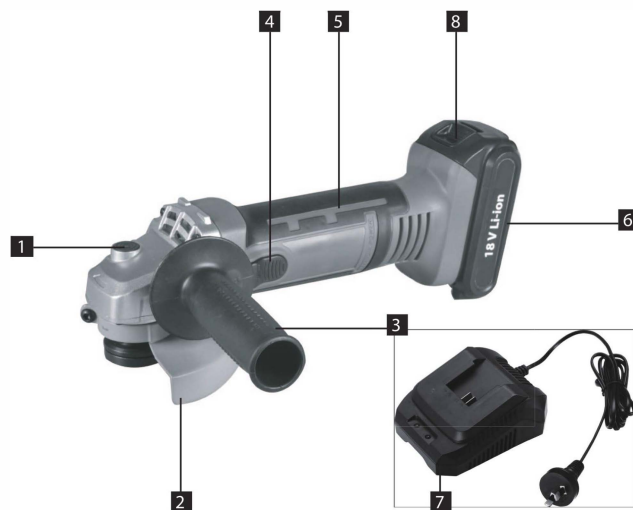
- This tool is intended to function as a grinder or cut-off. Read all safety instructions, warnings and specifications provided with this power tool. Failure to follow all instructions may result in electric shock, fire or injury.
- Operations such as sanding, wire brushing or polishing are not recommended with this power tool. Operations for which the power tool was not designed for may create a hazard and result in injury.
- Do not use accessories that are not specifically designed and recommended by Kogan.com. Just because an accessory can be attached to the tool does not assure safe operation.
- The rated speed of the accessory tool must be at least equal to the maximum speed marked on the power tool. Accessories running faster than their rated speed can break apart and fly away.
- The outside diameter and the thickness of your accessory must be within the capacity rating of your power tool. Incorrectly sized accessories cannot be adequately guarded or controlled.
- The arbour size of wheels, flanges, backing pads or other accessories must properly fit the spindle of the power tool. Accessories with arbour holes that do not match the power tool will run out of balance, vibrate excessively and may cause loss of control.
- Keep bystanders a safe distance away from the work area. Anyone entering the work area must wear personal protective equipment. Fragments of workpiece or part of a broken accessory may fly away and cause injury beyond the immediate area of operation.
- Never lay the power tool down until the accessory has come to a complete stop. The spinning accessory may grab the surface and pull the power tool out of your control.
- Never run the power tool while carrying it by your side. Accidental contact with the spinning accessory could snag your clothing, pulling the accessory into your body.
- Never cut, drill or saw in concealed areas where there may be electric, gas or water lines. Use a suitable detector to locate such lines.

Even when the tool is used as prescribed, it is not possible to eliminate all residual risk factors. The following hazards may still arise:

1. Damage to lungs if an effective dust mask is not worn
2. Damage to hearing if effective hearing protection is not worn
3. Health defects resulting from vibration emission

WARNING: This machine produces an electromagnetic field during operation. This field may interfere with active or passive medical implants. Users with such implants should consult with their doctor prior to using this device.

Product Layout



1. Spindle Lock
2. Adjustable Safety Guard
3. Auxiliary Handle
4. Switch
5. Main Handle
6. Battery Pack
7. Battery Charger
8. Pushlock Button

Before Starting the Equipment

Important! Always remove the battery from the machine before doing any work on it.

Charging the Battery Pack

1. Remove the battery pack (6) from the handle, pressing the pushlock buttons (8) downwards to unlock it.
2. Check that your mains voltage is the same as that marked on the rating plate of the battery charger. Plug the mains plug of the charger (7) into the mains socket.
3. The temperature of the battery pack may rise slightly during the charging operation. This is normal.

If the battery pack fails to charge, please check the following.

Whether there is voltage at the socket outlet.

Whether there is proper contact at the charging contacts on the charger.

If the battery is still failing to charge after checking these issues, please contact the Kogan.com customer support team.

To ensure that the battery pack provides a long service life, you should take care to keep it charged. Never fully discharge the battery pack, as this will greatly reduce the battery lifetime.

Changing the Tool

Before performing any changes to the power tool (including maintenance and tool changes), as well as during storage or transport, set the rotation direction switch to the center position. Unintentional switching of the ON/OFF button may lead to injuries.

Attaching the Auxiliary Handle

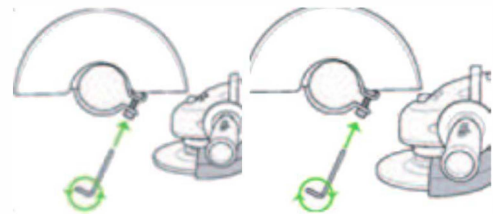
For safety reasons, the auxiliary handle must be assembled when using this tool.

1. Screw the auxiliary handle into one of the attachment points on the tool head.
2. Make sure the handle is securely fastened.



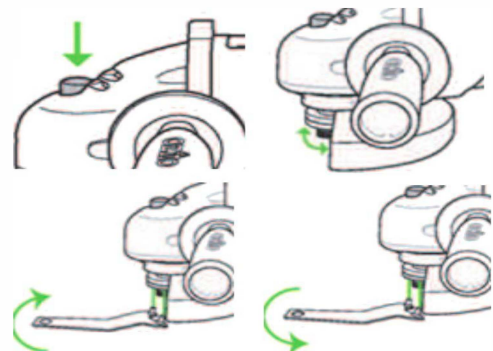
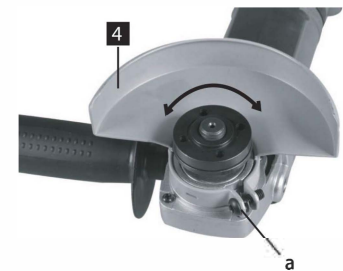
Adjusting the Grinding Guard

1. Loosen the screw on the guard with a suitable screwdriver. Do not undo until the screw is removed completely.
2. Adjust the guard to a position that still protects you from flying sparks.
3. Fasten the screw.



Installing the Grinding Disc

1. Make sure the guard is securely in place.
2. Place the inner flange on the spindle. Ensure it is aligned on the two flats.
3. Check the rated speed on the grinding disc. Do not use a disc with a rated speed lower than the speed shown on the tool label.
4. Fit the disc onto the spindle over the inner flange.
5. Press the spindle lock button to prevent movement of the spindle.
6. Keep the lock button pressed in and tighten the threaded outer flange by turning the lock nut wrench.



Removing the Grinding Disc

1. Press the spindle lock button (1).
2. Loosen the spindle lock nut (a) by turning the nut counterclockwise with the wrench.
3. Remove the threaded outer flange.
4. Remove the grinding disc from the spindle.

Switch

1. To turn the grinder on, hold the rear of the switch, then push forward until the switch won't move any further.
2. Release the switch to turn the grinder off.

Grinding

1. Grip the grinder securely with two hands so that you have full control at all times. Starting the grinder will create a sudden jerk in your hands due to the torque.
2. After starting the tool, apply the grinding wheel to the work-piece.
Note: Do not turn the switch on or off while the grinder is in contact with the work-piece. It will decrease the switch life and could cause damage to the work-piece.
3. Tilt the grinder at a 10° to 15° angle for easy handling and smooth grinding.
4. Apply the grinding disc to the work surface with a light, steady pressure for maximum grinding efficiency. It should never be necessary to force the tool. The weight of the tool applies adequate pressure.
5. The grinding discs are for moderate metal removal on flat or contoured surfaces. Do not put excessive pressure on the grinding disc. Excessive or sudden pressure will overload the motor, slow the grinding action, put dangerous stress on the disc and cause breakage.
Note: the continued use of a worn-out disc may result in disc explosion and serious injury.

Cutting-off

WARNING: always use the closed guard for cutting-off operations on metal. While cutting-off, do not press the tool, do not twist and do not turn.

- Being work with the grinding wheel at a 90° angle to the work-piece.
- Work with moderation. Do not force the wheel.
- Do not attempt to stop the wheel with lateral pressure.

Tool Care

Cleaning

Keep all safety devices, air vents and the motor housing free of dirt and dust as much as possible. Wipe the equipment down with a clean cloth or blow it clean with compressed air at low pressure.

It is recommended that you clean the product immediately after each use.

Maintenance

Please charge the battery pack completely at least once every 6 months.

Product Specifications

Rechargeable Battery:	18V/1.3Ah Li-ion
No-load speed:	9000rpm
Disc Diameter:	115mm
Frequency:	50/60Hz
Charging Time:	1 hour