



# **RX8M MASSAGE GAMING OFFICE CHAIR**

ELCHRMSGRCB, ELCHRMSGBCB, ELCHRMSGBBA & ELCHRMSGBGA



# COMPONENTS

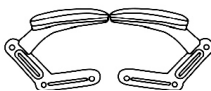
Lay all components out on a clean floor and ensure all parts are included. If any pieces are missing, check all packaging thoroughly, then contact [help.Kogan.com](http://help.Kogan.com) for assistance.



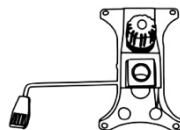
**A**



**B**



**C (x1 pair)**



**D**



**E**



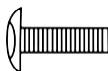
**F**



**G M8x45mm**



**H M6x20mm (x6)**



**I M6x25mm (x4)**



**J M8x35mm**



**K M8x35mm (x2)**



**L (x4)**



**M (x6)**



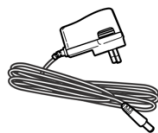
**N (x5)**



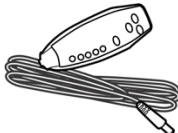
**O**



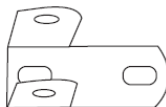
**P**



**Q Power adapter**



**R Remote control**



**S**

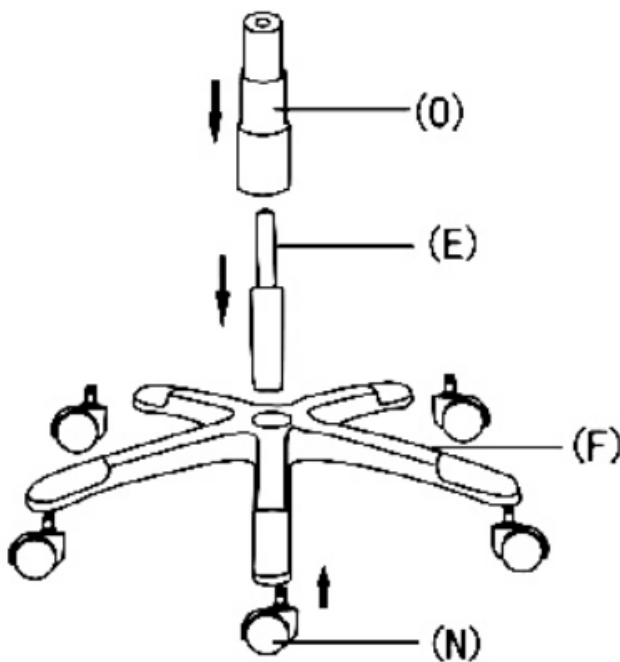


**T**

# ASSEMBLY

## Step 1:

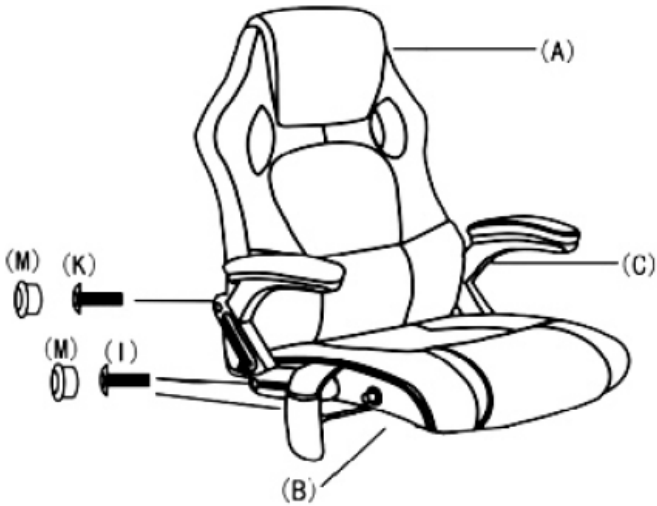
- Insert the chair wheels **(N)** into the sockets ensuring the socket is aligned correctly.
- Insert the gas lift piston **(E)** into the base **(F)** and place the protective plastic tube **(O)** over the top.



**Step 2:**

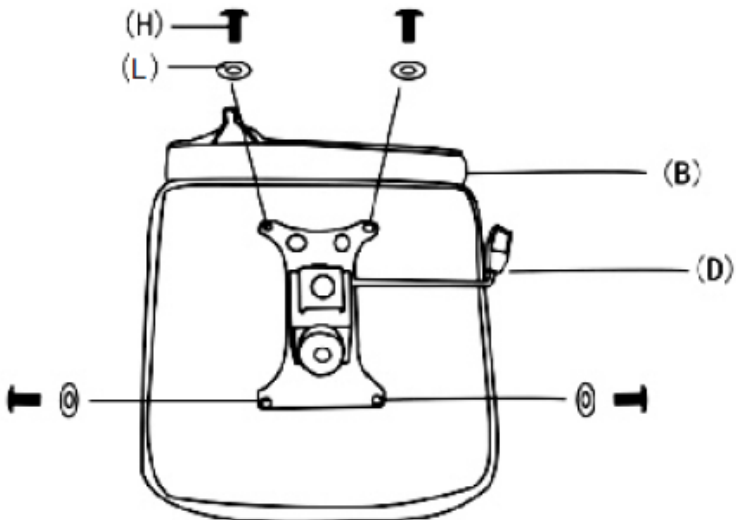
Slide the backrest **(A)** onto the seat **(B)** and attach the armrests **(C)** using fasteners **(M & K)**.

**Note:** The right armrest has a pocket for storing the remote control.



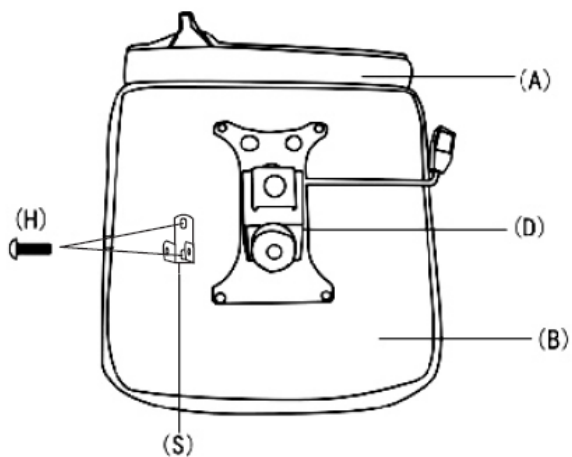
**Step 3:** Installing the reclining mechanism.

Attach the fixture **(D)** to the bottom of the seat using fasteners **(H & J)**.



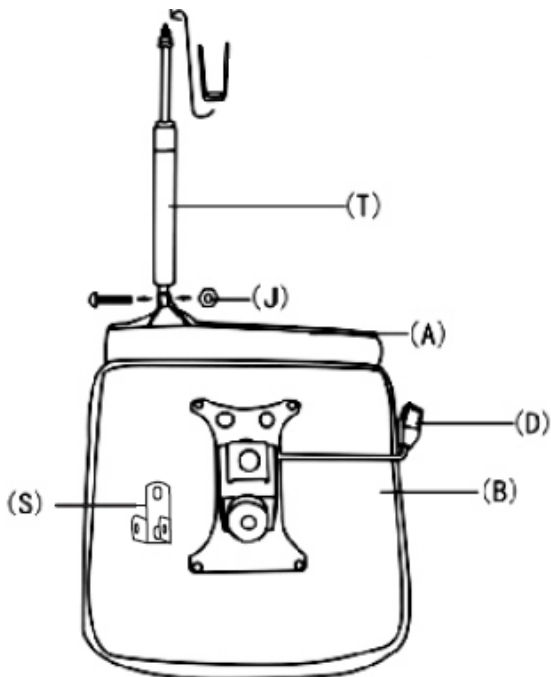
**Step 4:**

Attach the piston bracket **(S)** to the seat base with bolt **(H)**.



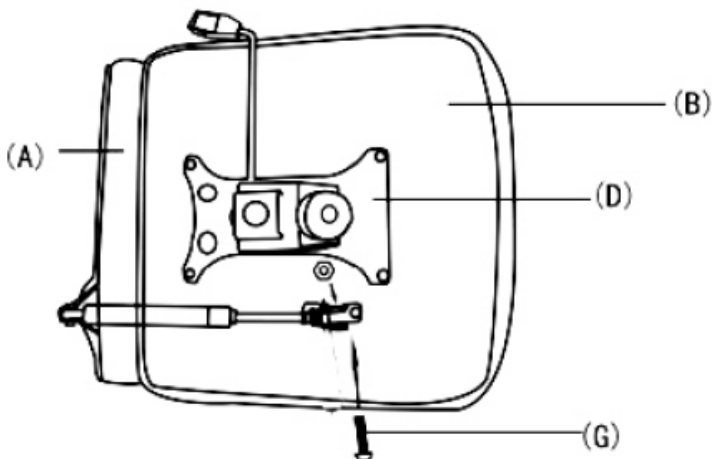
**Step 5:**

Attach the piston **(T)** to the back of the seat and secure it in place with screw and nut **(J)**.



### Step 6:

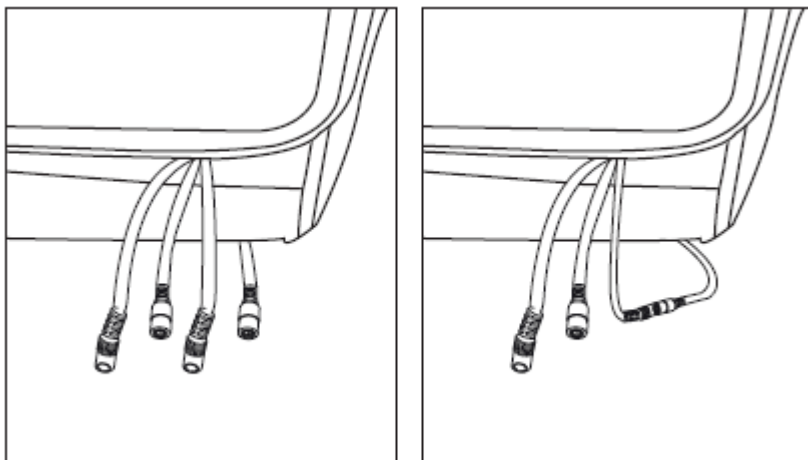
- Attach the piston (**T**) to the piston bracket (**S**) and secure using bolt and nut (**G**).
- Feed the tension cable through the hoop of the piston and fix the ball on the end of the cable into the piston lever. Tighten with the attached nuts.



### Step 7:

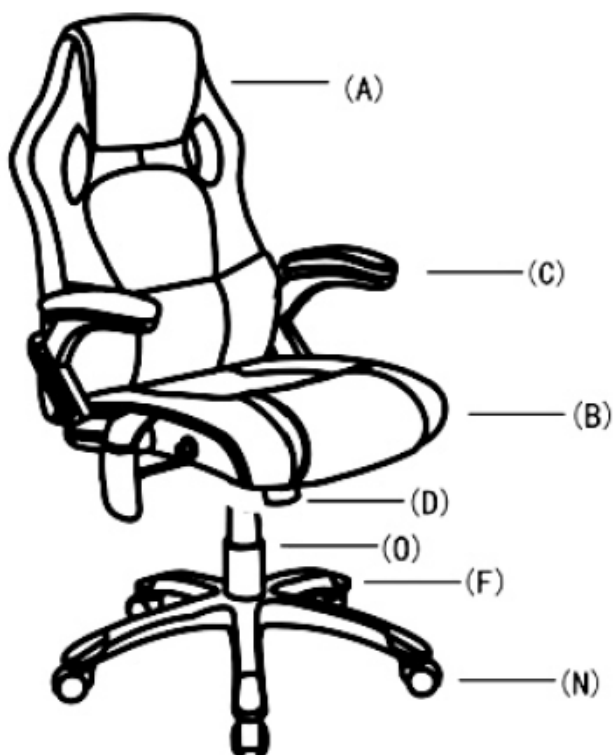
- Connect the two white cables together then connect the remote control (**R**) and the power adapter (**Q**) to their respective connections.

**Note:** The remote cable is thicker than the power cable connector.



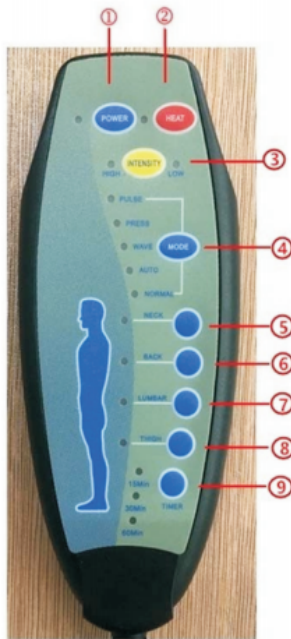
**Step 8:**

Place the assembled chair onto the base.





# REMOTE OVERVIEW



**Note:**

The above image is for reference only and may differ from the final product.

- 1 Power button
- 2 Heat button
- 3 Vibration intensity (High or Low)
- 4 Mode button
- 5 Back massage
- 6 Lumber massage
- 7 Thigh massage
- 8 Leg massage
- 9 Timber button

Pressing the Mode button will cycle through different massage modes.

# SPECIFICATIONS

## Power Adaptor

Input	100-240V AC-50Hz
Output	12V DC 1200mA
Rated voltage	DC 12.0V
Rated power	14.4W
Rated current	<1.2A
Working temperature	-10°C to -50° C

## Functions

Massage functions (Modes)	Pulse, press, wave, auto, normal
Massage duration	15, 30, 60 minutes
Massage areas	Back, lumbar, thigh, leg
Vibration strength	High / low
Heating function	60°C / 70°C
Power-off function	Automatic



### **Need more information?**

We hope that this user guide has given you the assistance needed for a simple set-up. For the most up-to-date guide for your product, as well as any additional assistance you may require, head online to **[help.kogan.com](https://help.kogan.com)**

**kogan.com**