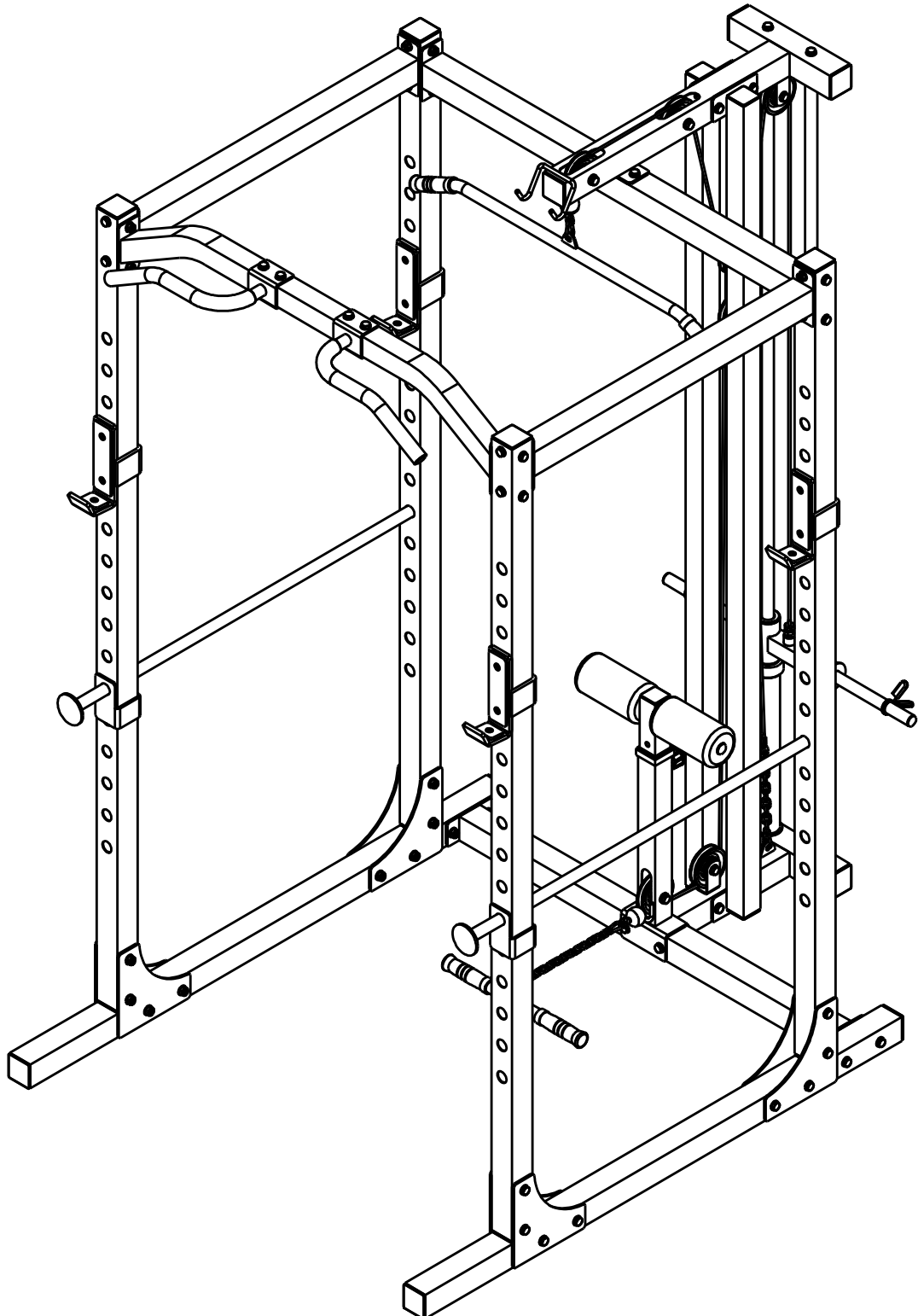
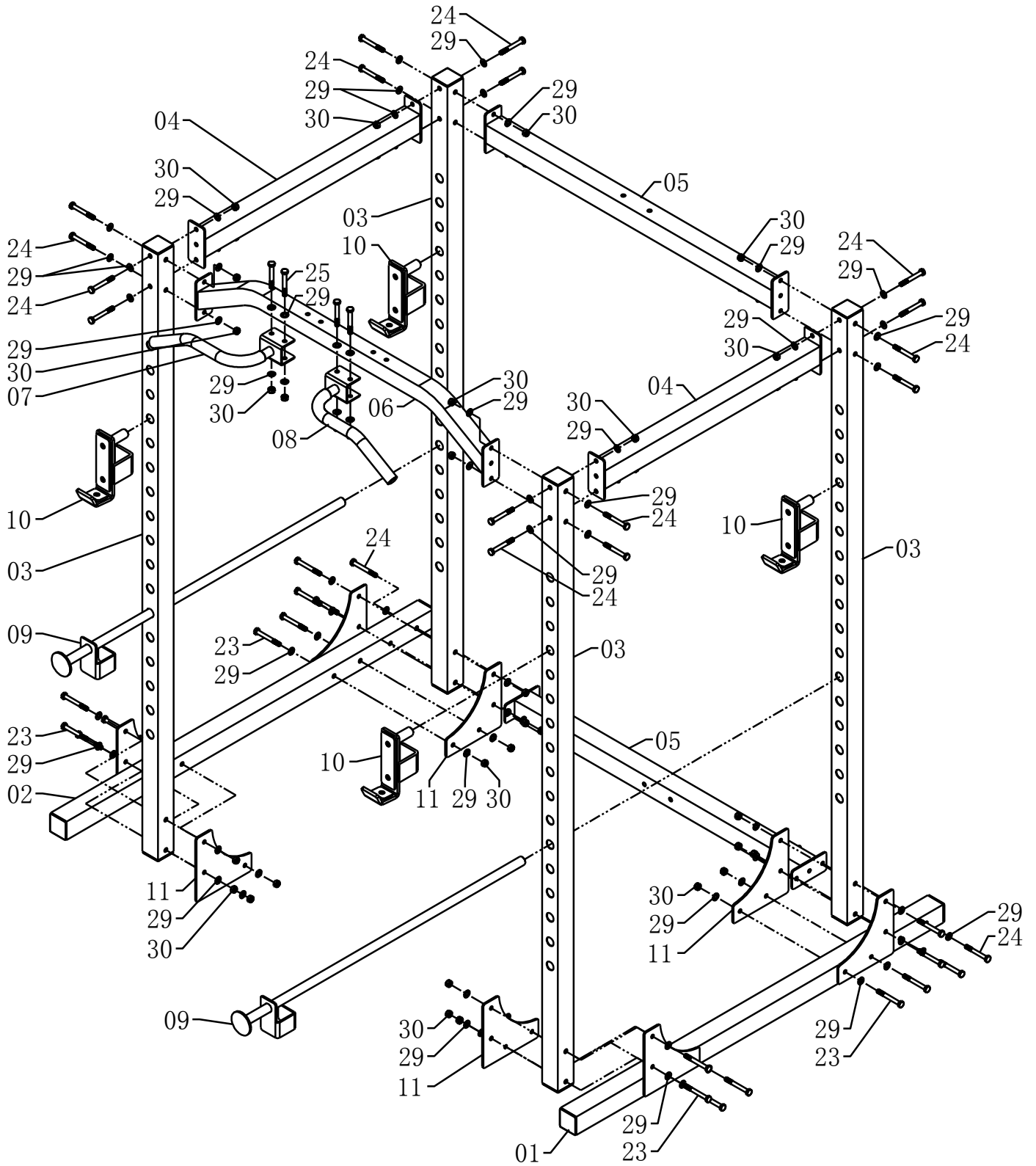


FORTIS 3

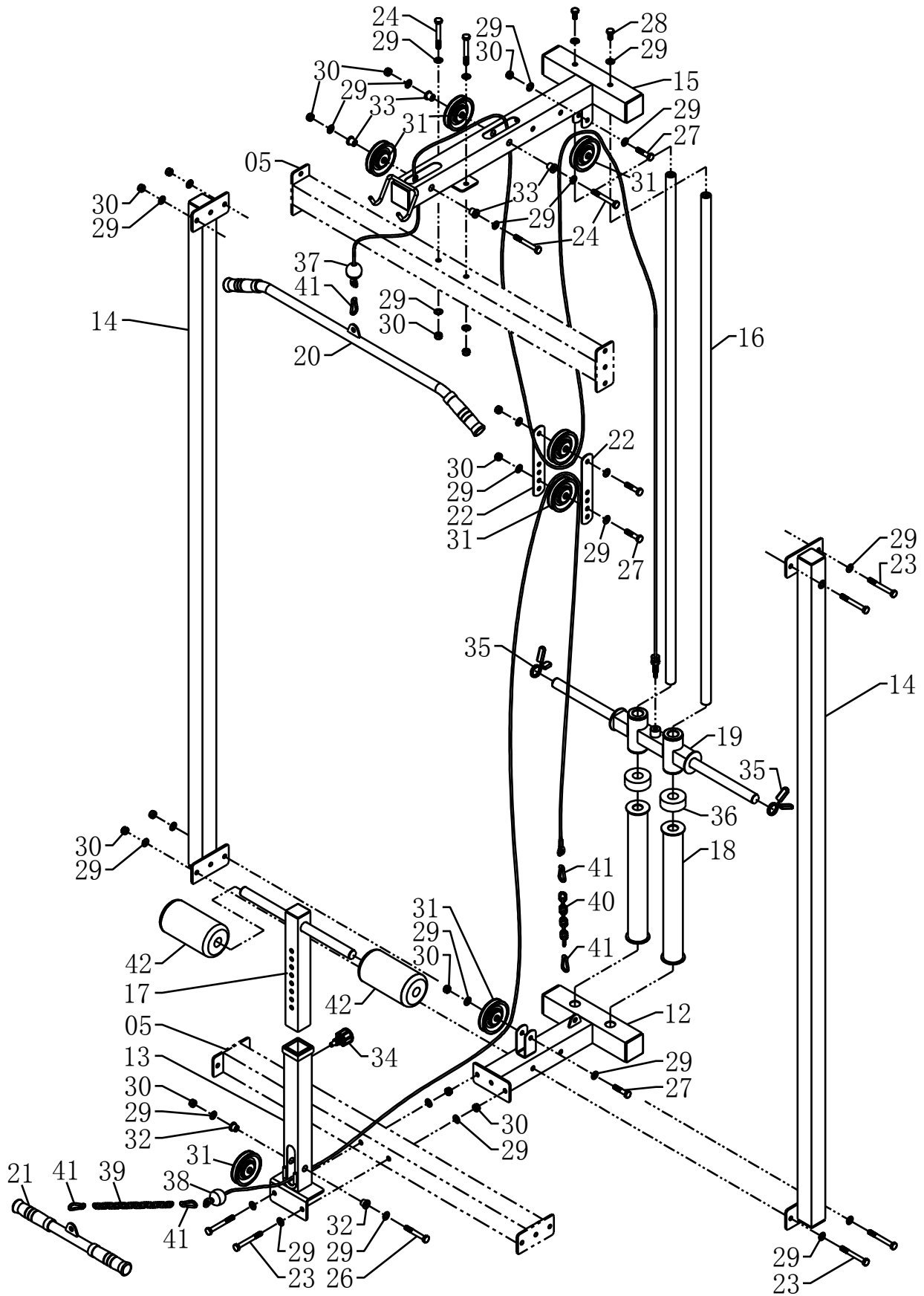
POWER RACK



ASSEMBLY DRAWING - A



ASSEMBLY DRAWING - B



PARTS LIST

NO.	DESCRIPTION	Q'TY	NO.	DESCRIPTION	Q'TY
01	LEFT FOOT FRAME	1	22	PLATE FOR PULLEY	2
02	RIGHT FOOT FRAME	1	23	HEX BOLT M10*85	22
03	UPRIGHT TUBE	4	24	HEX BOLT M10*80	24
04	SIDE TOP BEAM	2	25	HEX BOLT M10*75	4
05	REAR CROSS CONNECT FRAME	2	26	HEX BOLT M10*70	1
06	FRONT TOP FRAME	1	27	HEX BOLT M10*45	4
07	RIGHT CHIN-UP BARR	1	28	HEX BOLT M10*20	2
08	LEFT CHIN-UP BARR	1	29	WASHER Φ 10	112
09	SAFETY BAR	2	30	NYLON LOCK NUT M10	55
10	BARBELL STOP	4	31	PULLEY	7
11	REINFORCE PLATE	4	32	PLASTIC BUSHING SHORT	2
12	REAR FOOT FRAME	1	33	PLASTIC BUSHING LONG	4
13	LOW PULLEY FRAME	1	34	POP-PIN	1
14	REAR UPRIGHT FRAME	2	35	CLIP Φ 25	2
15	REAR TOP FRAME	1	36	BUFFER	2
16	GUIDE TUBE	2	37	CABLE FOR LAT BAR	1
17	FOAM FRAME	1	38	CABLE FOR LOW BAR	1
18	HIGHTEN TUBE FOR WIGHT PLATE	2	39	CHAIN LONG	1
19	WEIGHT PLATE RACK	1	40	CHAIN SHORT	1
20	LAT BAR	1	41	HOOK	5
21	LOW BAR	1	42	FOAM	2