

# kogan

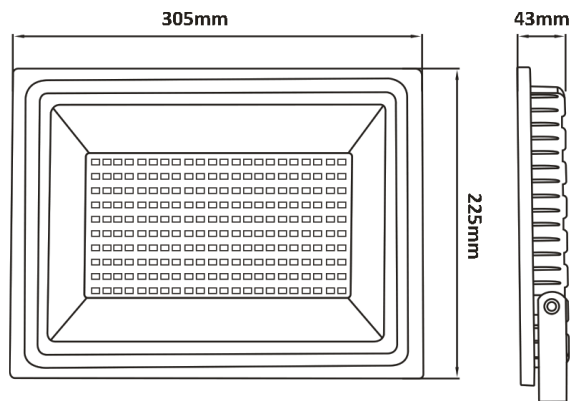
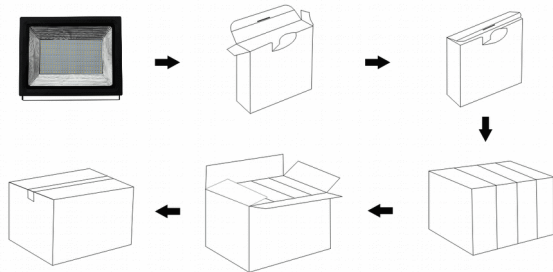
## 100W Driverless Flood Light KA10DRFLDLA Quick Start Guide

### Safety & Warnings

- Read all instructions before use and retain for reference.
- This product should only be installed or serviced by a qualified professional.
- Installation must follow Australian Wiring Rules AS/NZS 3000.
- To prevent electric shock, please ensure that power is disconnected before installing.
- Do not use corrosive substances to clean the glass and lamp body.
- Children should be supervised to ensure that they do not play with appliance
- Do not attempt to adjust the angle of the fixture until the unit has been switched off and had time to cool down.
- Do not touch the lamp body during operation.
- Keep the light source at least 0.3m away from flammable surfaces
- Direct eye contact with the LED can cause eye damage.
- This appliance contains no user-serviceable parts. If it suffers any failure or damage, cease usage and contact Kogan Support after consulting the Troubleshooting section of this manual.

### Overview

#### Packaging & product dimensions



#### Specifications

Lamp Power	100W	IP Rate	IP65
Product Size	305*225*43mm	CRI	>80Ra
Luminous Efficiency	80-90LM/W	LED Quantity	240pcs
Color Temperature (CCT:K)	3000K/4000K/5000K/5700K/6500K	Power Factor	>0.9
Shell Material	Die-cast Aluminum+Toughened Glass	Beam Angle	120°
Input Voltage	AC 200-240V 50/60Hz	Driver	On Board
Temperature Storage	-40-+40a°C	Light Source	SMD2835
Certificates	SAA, C-TICK, CE, RoHS	Working Life	50,000Hrs

## Attention

Please handle this product with care and inspect it regularly to ensure it is in good working order.

If the product, power supply cord or plug shows any signs of damage: stop use, unplug and contact [Kogan.com](http://Kogan.com) support.

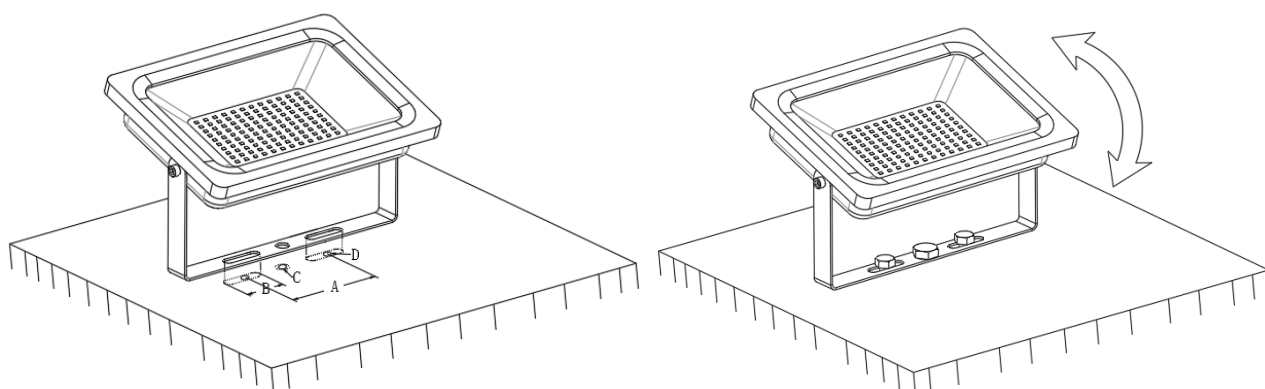
# Installation

## WARNING

- Incorrect installation can damage the product and will void warranty.
- Neither the light nor the external flexible cable/cord is user-replaceable and can pose a hazard if replaced by non-qualified personnel. If they are damaged or in need of replacement, contact Kogan.com
- Do not perform any modification or change any parts within the light fixture.
- The yellow/green conduct must be earthed in order to avoid potential electric shock.
- The product should be installed out of arm's reach to avoid potential hazards.

## Instructions

1. Disconnect the power supply before installation.
2. Drill holes according to the positions marked below.
3. Secure the lamp bracket by tightening the screws (not provided)
4. Turn the lamp body to adjust the light angle as needed.
5. Insert the lamp plug into socket and power on.



A: 137mm    B: 35mm    C: 10mm    D: 8mm

Recommended Mounting Height	Max. Projected Area	Weight
$6m \leq H \leq 16m$	$341m^2$	1.75kg

## Cleaning & Care

- Clean the glass and casing with a dry cloth. Do not use any corrosive agents.

User manual is subject to change without notice. For the latest version of your user manual, please visit <https://www.kogan.com/usermanuals/>