

kogan

Kogan Mighty 2200W Cyclonic Vacuum Cleaner With Turbo Brush

KA22CYTBVCA

USER MANUAL



Attention

Please handle this product with care and inspect it regularly to ensure it is in good working order.

If the product, power supply cord or plug shows any signs of damage: stop use, unplug and contact Kogan.com support.

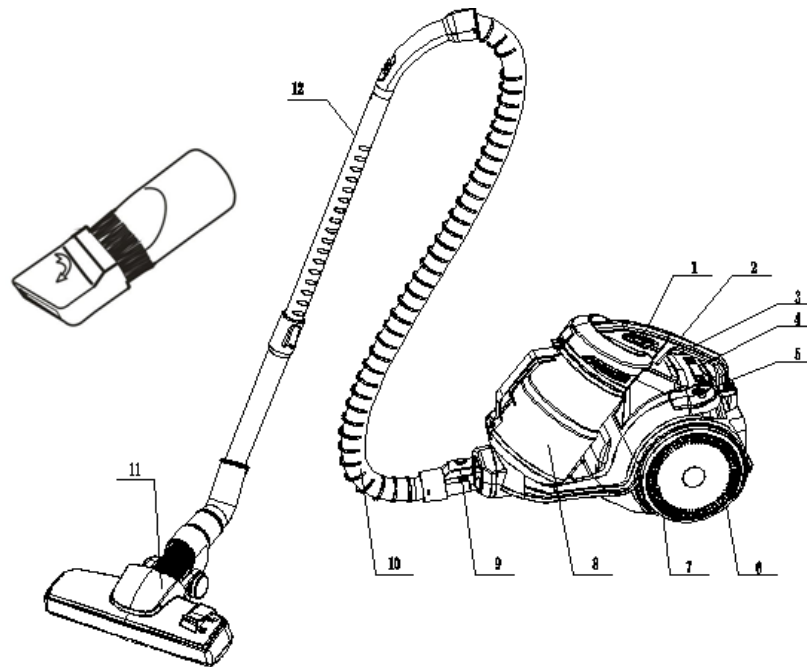
Table of Contents

Safety & Warnings.....1
 Product Overview.....1
 Operation.....2
 Cleaning & Care.....3
 Troubleshooting.....4

Safety & Warnings

- Read all instructions before using the appliance and retain for reference.
- Ensure the dust compartment is properly installed.
- Change the HEPA/dust filter assembly immediately if it becomes damaged.
- Don't vacuum any flammable or combustible materials (lighter fluid, petrol, kerosene etc.) or use the in an area with explosive vapours or liquid.
- Don't vacuum hot coals, cigarette butts, matches or smoking hot burning items or use in an area where there may be harmful fluids (chlorine, bleach, and ammonia drain cleaner).
- Don't attempt to remove blockages with sharp objects, as this may cause damage to your vacuum cleaner.
- If any abnormal noise, smell, smoke or any other failure or breakage, including any issue with the power cord, is found during operation, cease use immediately and contact Kogan Support.
- This appliance is not intended for use by persons (including children) with reduced physical, sensory or mental capabilities, or lack of experience and knowledge, unless they have been given supervision or instruction concerning use of the appliance by a person responsible for their safety.
- Children should be supervised to ensure they do not play with the appliance.

Product Overview

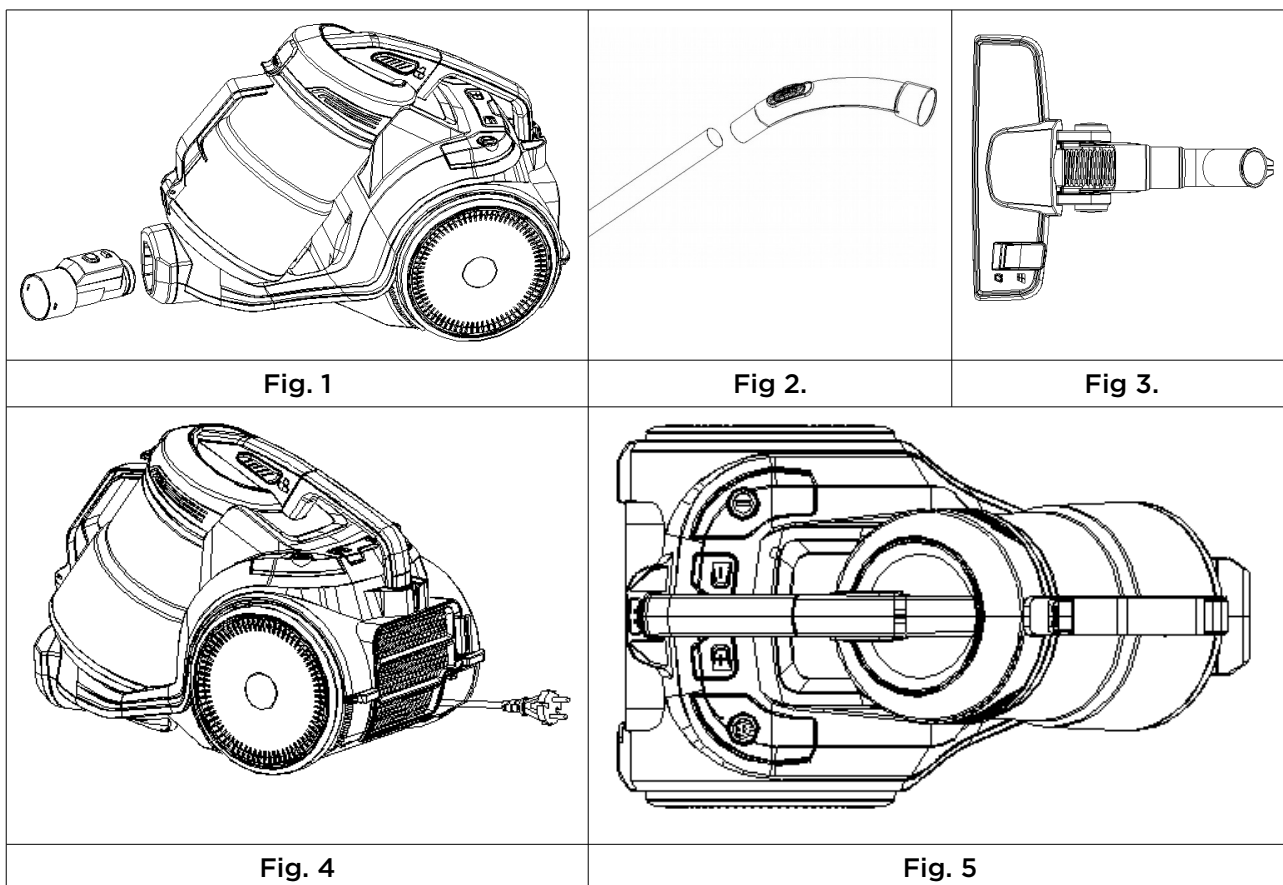


1	Release button	6	Rubber for big wheel	11	Brush tool
2	Handle	7	Big wheel	12	Extending metal tube
3	Cord rewind button	8	Dust cup	13	Two in one brush
4	Speed rotate button	9	Hose connector		
5	Power button	10	Hose		

Operation

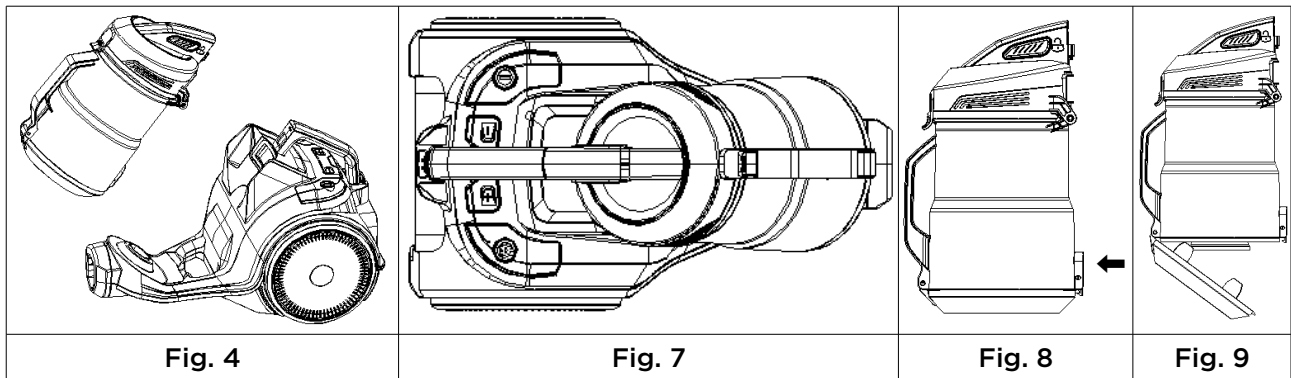
Preparing for use

1. Insert the hose connector into the front of the vacuum cleaner and into the inlet hole. (Fig. 1) To disassemble, press the release button and pull it out.
2. Connect the hose to the metal extension. (Fig. 2)
3. Connect to the brush and rotate to fasten. (Fig. 3)
4. Extend the power cord: yellow indicates when to stop. Do not pull out top the red mark. Press the cord return button to retract when cleaning is complete. (Fig. 4)
5. Plug into a power outlet and press the power button. (Fig. 5)



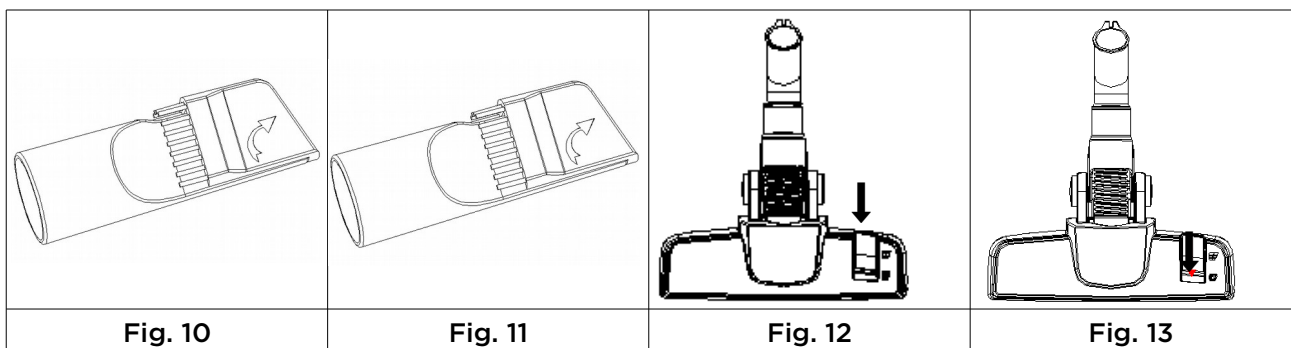
Cleaning dust compartment

1. Hold the dust compartment and handle and push the release button. (Fig. 6)
2. Remove from the machine. (Fig. 7)
3. Hold over a rubbish bin and push the release button to open the bottom and empty. (Fig. 8)
4. Close after emptying. (Fig. 9)



Attachments

1. The two in one brush is useful for corners and crevices. (Fig. 10)
2. The other side with bristles is useful for sofas, curtains and dusting. (Fig. 11)
3. The pedal of the brush tool lets bristles out for floor cleaning. (Fig. 12)
4. Stepping again will retract the bristles for carpet cleaning. (Fig. 13)



Cleaning & Care

- The filter should be cleaned twice a year or whenever any buildup or loss or suction is apparent.
- The filter must be fixed properly before running the vacuum cleaner.
- DO NOT wash in a washing machine or dry with a blow dryer.
- Using a wet filter will reduce performance and product lifespan.

1. Press to open the filter compartment. (Fig. 14)
2. Remove filter. (Fig. 15)
3. Rotate HEPA cover to separate from dust compartment cover. (Fig. 16)
4. Remove HEPA cover. (Fig. 17)

5. Remove filter out and tap to remove dust. Rinse under water. (Fig. 18)
6. Wash the HEPA cover, the HEPA assembly, the outlet sponge and the dust chamber in water without detergent and allow to fully dry before use. Don't use any tools or implements to brush the HEPA filter paper, or it may be damaged.
7. Replace the HEPA assembly on the chamber cover and make ensure the three cubes are aligned with the grooves of the dust chamber.
8. Rotate the HEPA assembly in the direction indicated on the chamber cover.
9. Reassemble the chamber cover assembly and dust chamber as indicated.
10. Replace the dust chamber assembly in the machine. Ensure the chamber is aligned correctly and press the handle: a click will be heard.

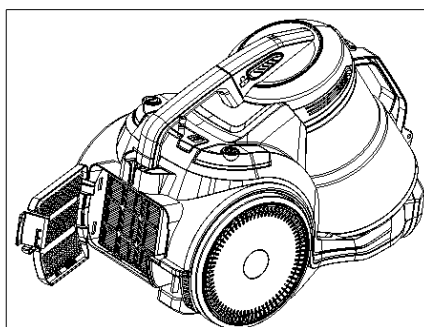


Fig. 14

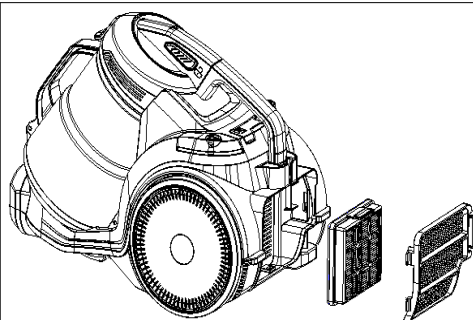


Fig. 15

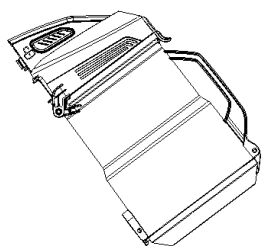


Fig. 16



Fig. 17

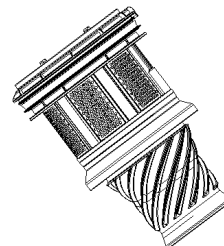


Fig. 18

Troubleshooting

IMPORTANT: If you are experiencing any issue with the appliance whatsoever, first inspect the filters and all parts of the brush head carefully and ensure there is no buildup of dust or dirt.

This is the most common cause of vacuum cleaner faults and problems, including powering on and suction strength.

If you experience any issues, contact Kogan Support.

User manual is subject to change without notice. For the latest version of your user manual, please visit <https://www.kogan.com/usermanuals/>