



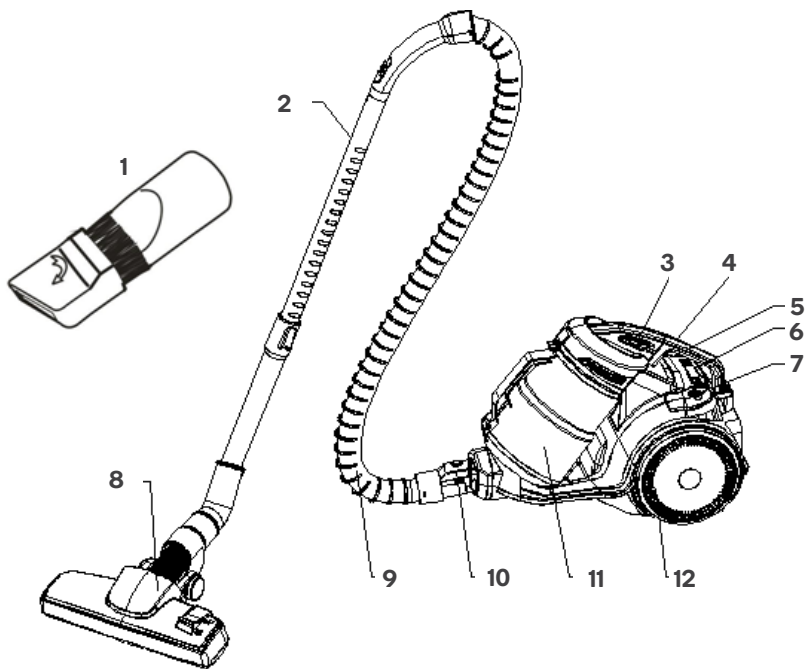
**KOGAN MIGHTY 2200W
CYCLONIC VACUUM CLEANER
(WITH TURBO BRUSH)**

KA22CYTBVCA

SAFETY & WARNINGS

- Read all instructions before using the appliance and retain this user guide for future reference.
- Ensure the dust compartment is properly installed.
- Change the HEPA/dust filter assembly immediately if it becomes damaged.
- Do not vacuum any flammable or combustible materials (lighter fluid, petrol, kerosene etc.) or use the in an area with explosive vapours or liquid.
- Do not vacuum hot coals, cigarette butts, matches or smoking hot burning items or use in an area where there may be harmful fluids (chlorine, bleach, and ammonia drain cleaner).
- Do not attempt to remove blockages with sharp objects, as this may cause damage to your vacuum cleaner.
- If during operation, the appliance makes any abnormal noise, smell, smoke or any other failure or breakage, including any issue with the power cord, cease use immediately and contact Kogan.com for Support.
- This product is not intended for use by persons (including children) with reduced physical, sensory or mental capabilities or lack of experience and knowledge, unless they have been given supervision or instruction concerning use of the product in a safe way by the person responsible for their safety, and understand the hazards involved.
- Children should be supervised to ensure they do not play with the appliance.
- Some parts on this appliance are non-user serviceable, do not remove any parts that are not outlined in the cleaning and care section. If you are unsure of or require further assistance with any maintenance of this product, contact Kogan.com for support.

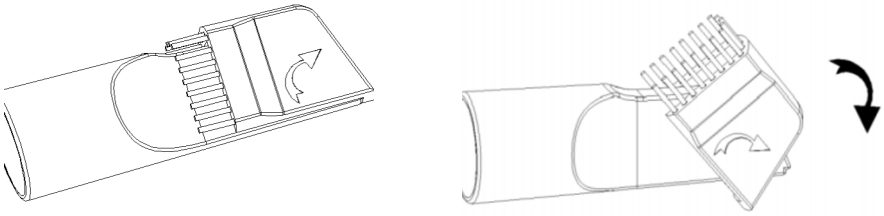
OVERVIEW



- | | | | |
|----------|----------------------|-----------|------------------|
| 1 | 2-in-1 brush | 7 | Power button |
| 2 | Extending metal tube | 8 | Brush |
| 3 | Release button | 9 | Hose |
| 4 | Handle | 10 | Hose connector |
| 5 | Cord return button | 11 | Dust compartment |
| 6 | Speed rotate button | 12 | Wheel |

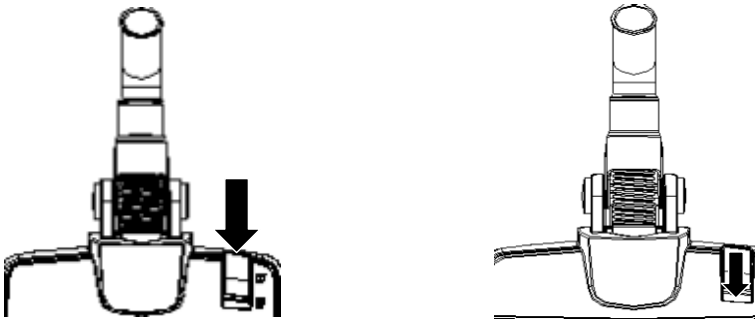
Attachments

2-in-1 brush:



- The 2-in-1 brush is useful for cleaning corners and crevices.
- The other side of the brush features bristles and is best used for cleaning sofas, curtains and dusting.

Brush:



- Stepping on the pedal of the brush lets bristles out for cleaning hard surfaces.
- Stepping on the pedal again will retract the bristles for carpet cleaning.

OPERATION

Preparing for use

1. Insert the hose connector into the front of the vacuum cleaner and into the inlet hole. (Fig. 1) To disassemble, press the release button and pull it out.
2. Connect the hose to the metal extension. (Fig. 2)
3. Connect to the brush and rotate to fasten. (Fig. 3)
4. Extend the power cord: yellow indicates when to stop. Do not pull out passed the red mark. Press the cord return button to retract when cleaning is complete. (Fig. 4)
5. Plug into a power outlet and press the power button. (Fig. 5)

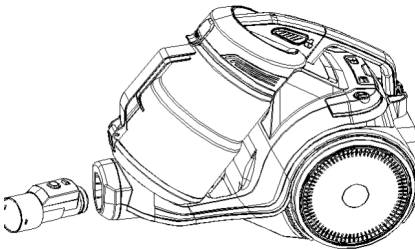


Fig. 1

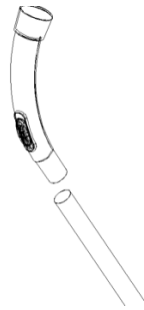


Fig. 2

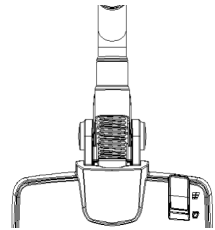


Fig. 3

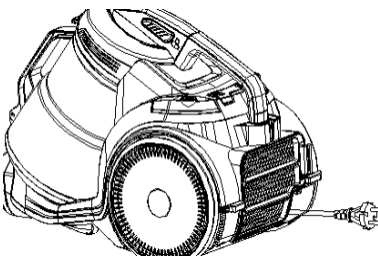


Fig. 4

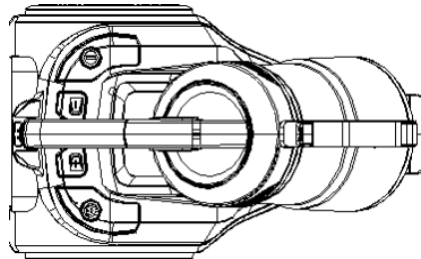


Fig. 5

Emptying dust compartment

1. Hold the dust compartment and handle and push the release button. (Fig. 6)
2. Remove the dust compartment. (Fig. 7)
3. Hold over a rubbish bin and push the release button to open the bottom and empty. (Fig. 8)
4. Close after emptying. (Fig. 9)

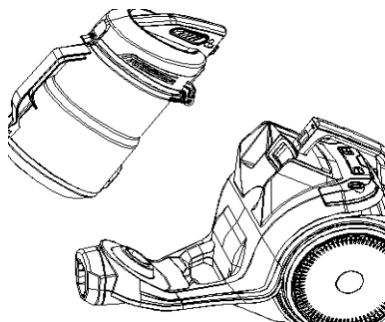


Fig. 6

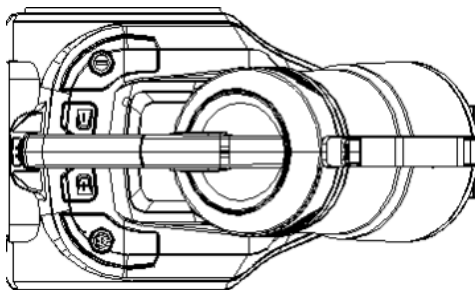


Fig. 7

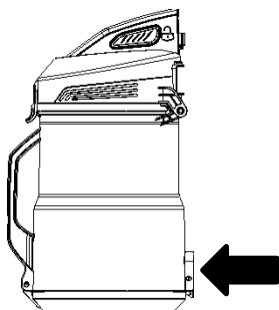


Fig. 8

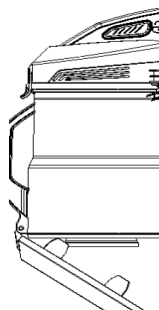


Fig. 9

CLEANING & CARE

- The filter should be cleaned twice a year or whenever any build-up or loss of suction is apparent.
- The filter must be fixed properly before running the vacuum cleaner.
- Do not wash in a washing machine or dry with a blow dryer.
- Using a wet filter will reduce performance and product lifespan.
- Some parts on this appliance are non-user serviceable, do not remove any parts that are not outlined in this section. If you are unsure of or require further assistance with any maintenance of this product, contact Kogan.com for support.

Cleaning filter:

1. Press to open the filter compartment. (Fig. 10)
2. Remove filter. (Fig. 11)

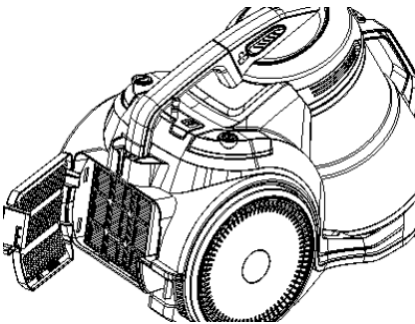


Fig. 10

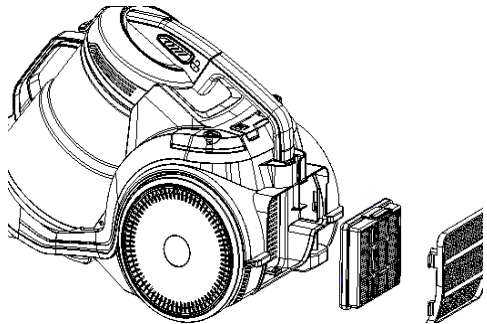


Fig. 11

3. Rotate HEPA cover to separate from dust compartment cover. (Fig. 12)
4. Remove HEPA cover. (Fig. 13)
5. Remove filter out and tap to remove dust. Rinse under water. (Fig. 14)
6. Wash the HEPA cover, the HEPA assembly, the outlet sponge and the dust chamber in water without detergent and allow to fully dry before use. Don't use any tools or implements to brush the HEPA filter paper, or it may be damaged.
7. Replace the HEPA assembly on the chamber cover and make ensure the three tabs are aligned with the grooves of the dust chamber.
8. Rotate the HEPA assembly in the direction indicated on the chamber cover.
9. Reassemble the chamber cover assembly and dust chamber as indicated.
10. Replace the dust chamber assembly in the machine. Ensure the chamber is aligned correctly and press the handle: a click will be heard

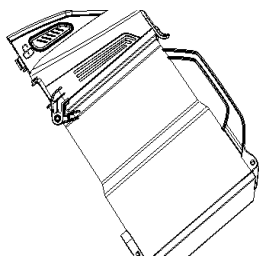


Fig. 12



Fig. 13

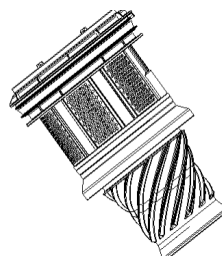


Fig. 14

TROUBLESHOOTING

IMPORTANT: If you are experiencing any issue with the appliance whatsoever, first inspect the filters and all parts of the brush head carefully and ensure there is no build-up of dust or dirt.

This is the most common cause of vacuum cleaner faults and problems, including powering on and suction strength.

If you are still experiencing issues, contact [Kogan.com](https://www.kogan.com) for support.

Need more information?

We hope that this user guide has given you the assistance needed for a simple set-up. For the most up-to-date guide for your product, as well as any additional assistance you may require, head online to **help.kogan.com**

kogan.com