

kogan

KABTHDJWHTA

USER MANUAL



User Manual

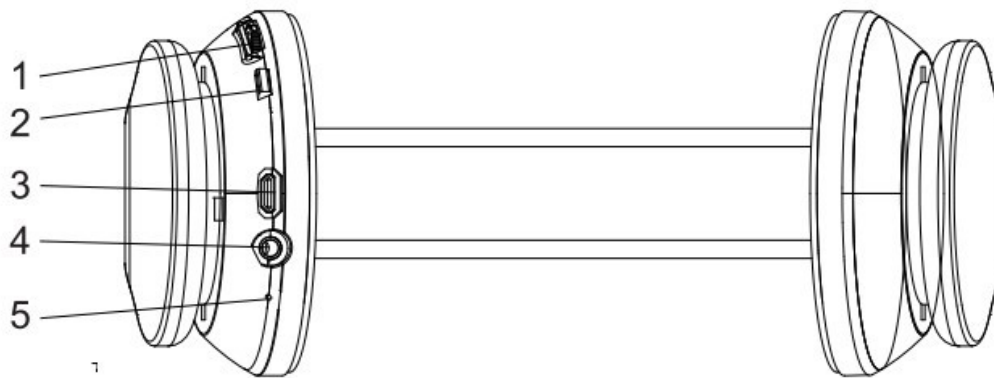
What's in the Box.

1. Headphones
2. Micro USB Cable
3. 3.5mm audio cable



Please read carefully this manual before using headphones, and keep a copy handy for future reference.

Know your headphones:



1. Toggle switch - Three Direction – Three Functions
 - a. Move Upwards: Volume + / Previous track
 - b. Move Downwards: Volume - / Next track
 - c. Press it In: Pause / Play
2. Power button / Bluetooth power button
3. Micro USB slot
4. Line in slot
5. Mic

■ Specification and Parameter:

Dimension : 200x170x75(mm)

Weight : 175g (bare headphone, without packaging)

Charging interface: Micro USB

Press buttons: two (power button + toggle switch)

Battery : 3.7V/250mAh

Charging specification: Micro USB

Charging input : 5V/1.0A

Charging indication : Solid Red LED light

Standby time : about 100 hours

Successive talking time: about 8 hours

Charging time: 2-3 hours

Volume control: 16 ranks, 3dB variation in each rank

Working temperature : -20~70°C during the charging period

Storage temperature: -40~80°C

■Speaker parameter

Speaker diameter: Φ 40mm

Impedance: Impedance: 32 Ω

Sensitivity: S.P.L:110dB S.P.L.at 1KHz

Rated power: 20mW

Frequency Response: 100Hz-9000Hz

■Microphone parameter

Microphone Unit: Φ 4*1.5mm

Directivity: Omni direction

S.P.L: -42 \pm 3dB

Impedance: \leq 2.2K Ω

Frequency Response: 20-20,000HZ

Operating voltage: 4.2V

■Bluetooth Mode:

Device Mode Number: **BT513**

Bluetooth Protocol version: CSR , Version 2.1+EDR

Remote control to the player: Volume up and down, Previous /Next, Pause/Play

Receiver range: 10m / 360 $^{\circ}$

Pairing code: 0000

SNR: -82dBm

Carrier frequency: 2402MHz - 2480MHz

Frequency response: 20Hz – 20,000Hz

Successive working time: Approximately 8 hours

Standby time: Approximately 100 hours

■ Operation

Turn ON: In the state of power-off, press and hold the power button for 1sec, the headset will send out two “di-di” Prompt tones and blue LED will be on ; the blue and red LED light will glitters in turn if holding power button for 4 sec.

Turn OFF: In the state of power-on, press and hold power button for 3 seconds till the blue LED light glitters three times. There will be four "dodo" voices from loud to low. Now the unit is turned off.

Pairing: In the state of power-off , press and hold power button for 3s until red and blue LED light glitters in turn, the headphone enters into pairing mode. In this case, the headset can be paired with the Bluetooth enabled device.

※ **Usually**, Setup procedure relates to the “setup,” connection” or “Bluetooth” menu in your mobile phone or Bluetooth device. Click “search for Bluetooth device”, your phone will find the headphone name “513” or similar pairing name and ask if you want to connect, then click “confirm” or “yes”. Afterwards, input the pairing password or PIN code “0000” and click “yes” or “confirm”, the headphone will connect with your Bluetooth device successfully.

※ The headphone will enter in power-on mode if releasing power button before red and blue LED light glitters in turn. In this case, please turn off the power and operate it once again.

Answering calls: Press the power button once to answer the incoming calls.

Dialing calls: If the headset is paired with the mobile phone, dialing the numbers on the cell phone will enable the conversation on the headset automatically.

Ending calls: Ongoing conversation on cell phone can be ended by pressing the power key once.

Redial latest number: The cell phone will automatically dial the last dialed phone number by double pressing power key on the Bluetooth headset. We can hear the prompt tone from the headset.

Volume control: In the state of music or calls, move toggle switch upwards to increase the sound and move it downwards to decrease the sound.

Previous /Next: Move the toggle switch upwards and hold it for a short while to come to previous song, then move the toggle switch downwards and hold it for a short while to come to next song.

Pause /Play: Press the toggle switch button inside to pause or play the music.

■Wired headphone Function

The headphone can be used as the wired headphone. Just simply attach 3.5mm audio cable.

In the state of power off: It can be used as the wired stereo headphone by inserting the 3.5mm audio cable. Please adjust the volume of sound sources when it is as the wired headphone. In this case, the volume control of the headphone can't be workable.

■Symbol of LED Light :

Power on---Blue light is on.

Power off---No light.

Charging---Red light is on. No light is on when is fully charged.

Power Shortage---Red light flashes.

Pairing mode---Red and blue lights flash in turn