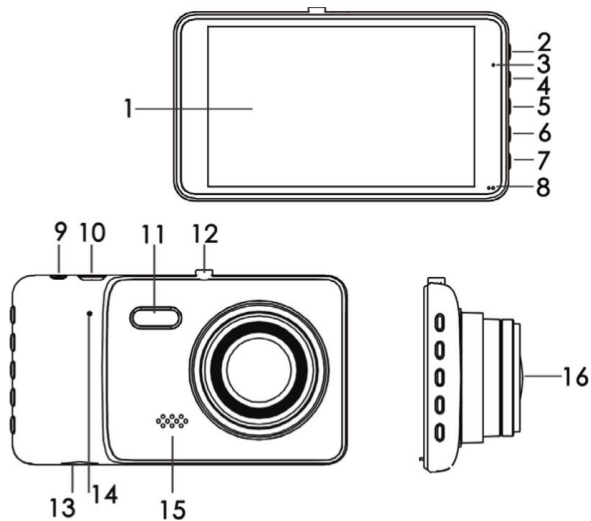




# 2-in-1 Dash Camera / Reversing Camera KADVR21RVSA

## Product Layout & Instructions



1. LCD Screen
2. Mode
3. LED Indicator
4. UP
5. Power/OK
6. Down
7. Menu
8. MIC
9. AV-IN
10. USB
11. Night Light
12. Mount Port
13. MicroSD Card
14. Reset
15. Speaker
16. Camera

### Power/OK

When off, press for 3 seconds to turn the camera on.  
When on, press for 3 seconds to turn the camera off.  
When in standby, press once to start filming. Press again to stop filming.  
In the menu, click to select or confirm a menu option.

### Menu

In standby mode, press to enter the menu and system menu.

### Mode

In standby mode, press to enter camera mode, then again to enter file playback mode. Press again to return to camera mode.

### Up

In menu and file selection screens, press to move the menu selection up.  
In camera mode, press to do a digital zoom.

### Down

In menu and file selection screens, press to move the menu selection down.  
In camera mode, press to do a digital zoom.

### Reset

When the unit isn't working correctly, press to force the unit to reset.

# Product Functions

## **G-Sensor**

If your car is hit by an external impact, the camera will automatically lock the current video being filmed so that it will not be overwritten. A lock symbol will appear on the screen.

## **SOS**

In normal video state, click down to lock the current file which will stop it from being overwritten. A lock symbol will appear on the screen.

## **Parking Monitor**

When shut down, if vibrations are detected the camera will turn on and start filming with protected files. It will film for one minute and if no further actions have been undertaken, the camera will turn off after one minute.

## **Looped Recordings**

This camera films footage in small segments, of which the oldest files will be overwritten in the event of the memory card being filled up. For example, if the camera is set to film in 3 minute segments, then a new file will be started once every 3 minutes. The oldest of these files will then be overwritten as time passes.

## **Motion Detection**

In standby mode, when the menu option "Motion Detection" is set to active, the camera will automatically capture a moving object. After 10 seconds of no movement, it will automatically stop the video.

## **Battery Charge**

When the unit is plugged into an external power supply, the red indicator light will light up. As the battery fills up, the light will gradually dim. When the red light goes out, the battery is fully charged.

## **Timing Closure Screen**

To save on battery, the camera screen can shut down after a set time and continue recording in the background. The screen shutdown time can be set to 3 minutes, 5 minutes or 10 minutes.

## **Fill Light**

You can select Fill Light in dark conditions and night to improve the camera image brightness.

# Installation

1. Ensure the car engine is turned off.
2. Insert a microSD card into the camera. Please ensure the microSD card is a high-speed card, at least Class 6 or higher. The capacity should be higher than 8GB, up to the maximum size of 256GB.
3. Affix the camera to the windscreen via the bracket.
4. Connect the car charger to the cigarette lighter socket in your car.
5. Connect the USB interface and the car charger via the extension cord. To keep the cord clear of your line of sight, the cable can be run up along the edge of the windscreen.
6. Install the rear camera at the back of the car, paying attention to the direction the camera is facing. Wiring can be routed along the roof of the car.
7. Start the car engine and ensure that the cameras are installed correctly.

# Product Specifications

Display: 4" IPS Display  
Video Format: MOV  
Image Resolution: 12M  
Image Format: JPG  
Storage: microSD card  
MicroSD Card Capacity: Maximum of 256GB  
USB: USB 2.0  
Power: DC5V 1.5A  
Frequency: 50HZ/60HZ  
Battery: 200mAh 3.7V Rechargeable Battery  
Working Current: 700mA

If you have any questions or concerns regarding the use of this product, please contact the Kogan.com customer support team.