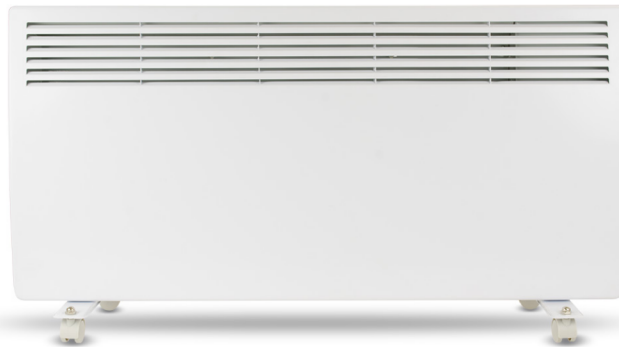


kogan

**2000W Smart Electric
Panel Heater**

KAHTP22AUTA

USER MANUAL



Please read and save the user manual

BEFORE USE

Read and follow all the instructions in this manual even if you feel you are familiar with the product, and find a place to keep it handy for future reference.

For your convenience record the complete model number (located on the product identification plate) and the date you received the product. Retain in the event that warranty service is required.

NOTE: The rating of this product (as marked on the product identification plate) is based on specific loading tests. Normal use, or the use of other recommended attachments, may draw significantly less power.

IMPORTANT SAFEGUARDS

When using any electrically powered product, basic safety precautions should always be followed.

WARNING-to reduce the risk of fire, electrical shock or injury to persons or property:

- Read all instructions before using this appliance and keep them for future reference.
- Use only the voltage specified on the rating plate of the heater.
- Do not cover or restrict airflow to the inlet or exhaust grilles in any manner as the appliance may overheat and become a fire risk.
- Do not cover grilles, block entry or exhaust of airflow by placing appliance against any surface. Keep all objects at least 1 meter from the front, side and rear of the appliance.
- Do not place the appliance close to a radiant heat source.
- Do not operate in areas where gasoline, paint or other flammable liquids are used or stored.
- This appliance heats up when in use. To avoid burns, do not let bare skin touch hot surface. Switch off and let cooling before moving.
- Do not use the appliance to dry clothes.
- Do not insert or allow foreign object or metal utensils to enter any ventilation or exhaust opening, as this may cause an electric shock, fire or damage to the appliance.
- Do not immerse in liquid or allow running into the interior of the appliance, as this could create an electrical shock hazard.
- Do not reach for an appliance that has fallen into water. Switch off at supply and unplug immediately.
- Do not operate any appliance with a damaged cord, plug or after the appliance malfunctions or has been dropped or damaged in any manner. Return to the Kogan customer service team for examination, electrical or mechanical adjustment, service or repair.
- Do not operate appliance with wet hands.
- The most common cause of overheating is deposits of dust or fluff in the appliance. Ensure these deposits are removed regularly by unplugging the appliance and vacuum cleaning air vents and grilles.
- Do not use this appliance in a window as rain may cause electric shock.
- Do not use a abrasive cleaning products on this appliance. Clean with a damp cloth (not wet) rinsed in hot soapy water only. Always remove plug from the mains supply before cleaning.
- Do not connect the appliance to the mains voltage until completely assembled and adjusted.
- This appliance is not intended for use in outdoor locations.
- Do not use this appliance in the immediate surrounds of a bath, a shower or a swimming pool or other liquids.
- Always operate upright.
- Switch off and let cooling before moving.
- Do not operate with cord set coiled up as a build-up of heat is likely, which could be sufficient to become a hazard.
- The use of an extension cord with this appliance is not recommended.
- Do not remove plug from power socket until the appliance has been switched off.
- Do not remove plug from power socket by pulling the supply cord-always grip plug.
- Always unplug appliance when not in use.
- **CAUTION:** This product is NOT suitable to be used on long pile carpets or Flokati rugs.
- Do not allow cord to come in contact with heated surface during operation.
- Do not run cord under carpeting, throw rugs or runners etc. Arrange cord away from traffic areas so that it will not be tripped over.
- Do not twist, kink or wrap the cord around the appliance, as this may cause the insulation to weaken and split. Always ensure that all cord has been removed from any cord storage area.
- Do not use outdoors or whilst standing on a damp floor.
- Do not store appliance while it is still hot.

- This appliance is not intended for use by young children or infirm persons without supervision.
- Young children should be supervised to ensure they do not play with the appliance.
- The appliance must not be located immediately below a socket-outlet.
- Do not use this appliance with another programmer, timer or any other device that switches the heater on automatically, since a fire risk exists if the appliance is covered or positioned incorrectly.
- All covers of this appliance is intended to prevent direct access to the heating elements and must be in place when the appliance is in use.
- **"WARNING:** In order to avoid overloading, do not cover the heater."
- To reduce the risk of electric shock, do not immerse or expose the product or flexible cord to rain, moisture or any liquid other than those necessary for correct operation of the product.
- The fire-guard does not give full protection for young children and for infirm persons.
- If the supply cord is damaged, it must be replaced by a qualified electrical persons in order to avoid a hazard.
- Do not use this appliance outdoors, or on wet surfaces. Avoid spilling liquid on the appliance. **"CAUTION:** In order to avoid a hazard due to inadvertent resetting of the thermal cut-out, this appliance must not be supplied through an external switching device, such a timer, or connected to a circuit that is regularly on and off by the utility."
- Use this appliance only as described in this manual. Any other use is not recommended by the manufacturer and may cause fire, electric shock or injury.
- This appliance is intended for household use only and not for commercial or industrial use.

Overview of the appliance

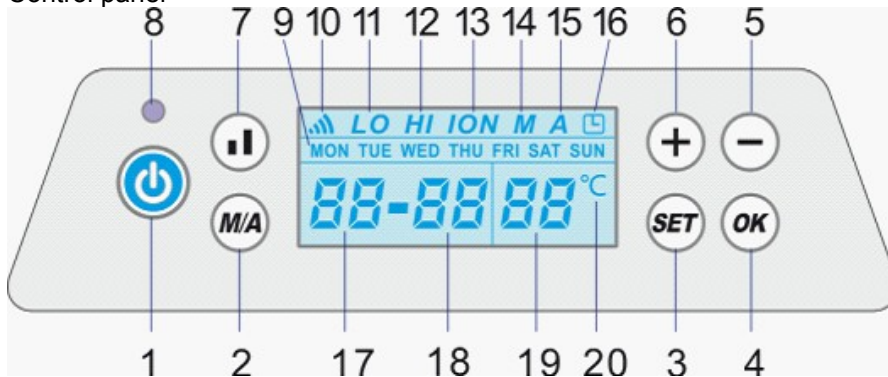


Specifications:

Rated Power:	2000W/1000W
Rated Voltage:	240V 50Hz
Dimensions (mm):	830*75*400

2. Guide to the control panel

Control panel



1. Power On/Off button
2. Mechanical/automatic mode choose
3. Mechanical/automatic mode timer setting.
4. Confirm button
5. Downwards adjustment
6. Upwards adjustment
7. High/low power selected
8. Power indicator light
9. Day
10. Heating element working indicator light
11. Low power
12. High power
13. Negative ion indicator - (This model has no negative ion function)
14. Mechanical control
15. Automatic control
16. Timer
17. Hours display
18. Minutes display
19. Real time temperature display
20. Temperature unit display (°C)

3. Operation Guide

3.1 Power on/off

Plug in the unit and you will hear a short buzz, then the red power indicator "8" will always light up. The LCD display will light up for 12 seconds then turn off. Press "1" (Power) to turn on the device with a short buzz. The day, time, room temperature and temperature unit will be displayed. One of the power settings ("HI" or "LO") and the model ("M" or "A") will be on. The setting temperature is factory set at 24°C. The memory is held in the event of power interruption.

3.2 Temperature setting (mechanical mode is the same as the automatic mode): temperature units are measured in °C.

When the device is power on, press "5" or "6" and the temperature will flash, then press "6" or "5" again to set the desired temperature. The highest setting temperature is 30°C and the lowest temperature is 5°C. Press "4" to finish temperature setting, or the system will return to operation state without operation in 5S. When the newly set temperature stops flashing the room temperature will show on the LCD screen.

3.3 Time setting

3.3.1 When using the device for the first time, the time on screen may not be the same as the actual time, so please adjust the right date and time (mechanical model and automatic mode would be the same).

Day:

When the device power is on, press the "3" and "4" at the same time for 3 seconds, the day "9" will flash. Press the "5" or "6" to choose the right day and press "3" to finish. "9" will stop flashing.

Hour:

After setting the right day, the hour "17" will flash. Press "6" or "5" to set the right hour and press "3" to finish. "17" will stop flashing.

Minute:

After setting the right hour, the minute "18" will flash. Press "6" or "5" to set the right minute and press "3" to finish. "18" will stop flashing.

Second:

After setting the right minute, the second "19" will flash. Press "6" or "5" to set the right second and press "3" to finish. "19" will stop flashing.

--After setting the right second, press button "3" again or "4" to finish time setting. All time symbols will stop flashing.

3.3.2 Automatic "A" mode timer setting (7 days timer)

When in automatic mode, the "16" will not display.

① **Day setting:**

Press "2" to choose automatic mode. The LCD will display "A", then press "3" and the current day on the screen "9" will flash. Press the "5" or "6" to set the day which need to set the timer, the "17" and "18" will display the timer for last setting. Press "3" to finish day setting, at which point "9" will stop flashing.

② **Timer setting:**

"19" display - The first number is 1 this means the heater is on the first running time and so on. "17" and "18" will display the last setting time, and the "17" will flash. Press the "6" or "5" to set the desired time, then press "3" to finish the first turn on running time (E.g. 07 hour). Then the "18" will begin to flash, so press "6" or "5" to adjust the time, then press "3" to finish the first turn off running time (E.g. 11 hour). This example will set the first running time between the hours of 7 - 11.

Then the "19" display displays 2, showing you are now on the second running time and you can repeat your settings for this time frame and so on. Then press "4" to finish the timer setting.

Please notice that the setting program will only save after you press the "4" button.

Factory pre-setting running time is 07-11 ; and 13-18 ; closed time \geq opened time.

To set the running time in one week:

There are two ways to set the running time in one week:

After you have set the first day, you can press "4" for 3 seconds to copy and save the data to the following days, or after you have set the first day and confirm, you can press "4" for 3 seconds (within 12 seconds) to copy the data to the following days.

Please notice that the data could only copy for the following days, (eg, when you are setting the Wednesday running time and press "4" for 3 seconds, the Thursday to Sunday would be in the same running time, but Monday and Tuesday could not copy the data.)

After you have set the first day, it can go onto the following day setting, you can set the different running time according to method ②.

④ **After setting the running program:** Press "4" to save and the heater will operate in accordance to those on and off times. If not currently within the running time, the device will turn off after 10 seconds.

3.3.3 Mechanical "M" mode timer setting (the timer just for the current day)

Press "2" select the mechanical mode and the LCD will display "M". Press "3" to set the timer, "17" will flash, press "6" or "5" to adjust the hour, then press "3" again to set the minute. Press "4" to confirm the timer and "16" will light up. If you press "3" when setting the minute that means this will cancel the timer setting. When the setting time is less than the current time, the timer will not work.

3.4 Turn off

Press "1" in mechanical mode. If you press "1" in automatic mode, the unit will not turn off. Please press "M/A" to change to the mechanical mode to turn off if needed.

3.5 Negative ion function

This model has no negative ion function, but the "ION" "13" will display on the screen when you press "7" for 3 seconds.

3.6 High /low power select

Press “7” to choose high/low power. When high power is chosen, “12” will light up, while “11” will be off. When you choose low power, “11” will light up, while “12” will be off.

3.7 Mechanical mode and automatic mode select

Press “2” could select the mechanical or automatic mode.

When mechanical mode is selected M will display and A when in automatic mode.

3.8 The memory function after shutting down by hand

Whatever is on, after being turned off, or turned off for timing over, the setting program is the one set last.

3.9 The memory function after shutting down suddenly

Whatever power applied after no electric or improperly shut-down, the device will start to work automatically on the last setting. The timer would be the rest time from shut-down.

3.10 Press sounds

There is a buzzer sound with both valid key presses and continuous key pressing.

3.11 Electronic locking

When the device power is on, pressing buttons “+” and “-” at the same time for 3 seconds will lock all function controls, which will be displayed on “19” as a square for 5 seconds, and then change to real temperature display. If any button is pressed, the display will show the square for 5 seconds with no buzz sound, then change to the real temperature display.

Methods to unlock:

- ① Cut off the electric supply to the device
- ② Press “+” and “-” at the same time for 3 seconds,

4. Safety feature

The unit is equipped with a high temperature limit switch, and the heater will automatically shut off if it is in an over-heating condition.

The heater will automatically come back on when it has cooled down.

5. User tips

CLEANING INSTRUCTIONS: Always ensure the heater is clean behind. Press down the two top catches “P” (please refer to the diagram below) on the back of the heater to pull the heater forwards. After cleaning the heater you must return to the fixed in the normal position.

The heater requires regular cleaning to ensure trouble free operation:

- Unplug the heater from the mains supply before cleaning.
- Ensure that the heater has been allowed to cool down completely before cleaning.
- Use a damp cloth (not wet) to wipe the exterior of the heater to remove dust and dirt.
- Use a vacuum cleaner to remove dust and fluff from around the grilles.
- Ensure the heater is dry before plugging back into the mains supply.

6.Warning :

6.1. The heater must be fixed correctly onto the wall or put the heater in the correct position.

6.2. The heater is to be installed so that the controls cannot be touched by a person using a bath or shower.

6.3. The heater is to be installed so that it is not located directly under a power socket outlet.

6.4. When the heater is working as it is in free standing mode with the foot set, please do not use it in the vicinity of bath, shower, or swimming pool.

6.5. When the heater is working as it is in wall mounted mode, do not touch the control unit when using it in the vicinity of bath, shower or swimming pool.

6.6. Consult a qualified electrician or service technician if the power cord is damaged.

6.7. DO NOT cover the heater when it is working.

6.8. Always store the heater when not in use.

6.9. Make sure the heater has cooled down before store it away.

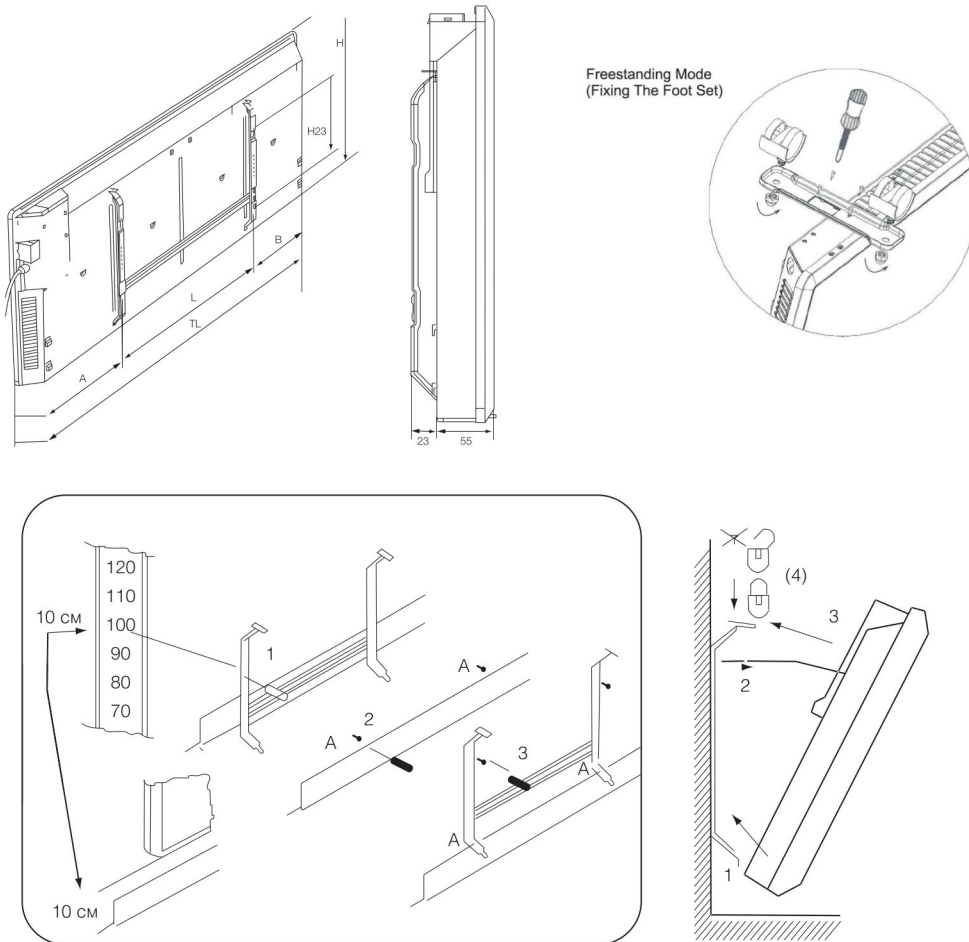
7. Service

When you require service, contact the Kogan customer service team.

8. Storage:

If you do not plan to use the heater for extended periods of time, it is recommended that the heater is cleaned and then stored (preferably in its original packaging) in a cool dry place.

WALL MOUNTING GUIDE



MODEL	POWER (W)	TL (mm)	H (mm)	A (mm)	L (mm)	B (mm)	H23 (mm)
KAHTP22AUTA	2000W/1000W	830	400	315	250	265	200