

kügan

KAHTP22XXXA

USER MANUAL



Table of Contents

BEFORE FIRST USE.....	1
Important Safeguards.....	1
OVERVIEW OF THE APPLIANCE.....	3
Specifications.....	3
Control Panel.....	3
Operation Guide.....	4
USAGE TIPS.....	5
Cleaning Instructions.....	5
WARNINGS.....	6
Service.....	6
Storage.....	6
MOUNTING GUIDE.....	6

BEFORE FIRST USE

Read and follow all the instructions in this “Use and Care” manual, even if you feel you are familiar with the product, and find a place to keep it handy for future reference.

Important Safeguards

When using any electrically powered products, basic safety precautions should always be followed, including the following:

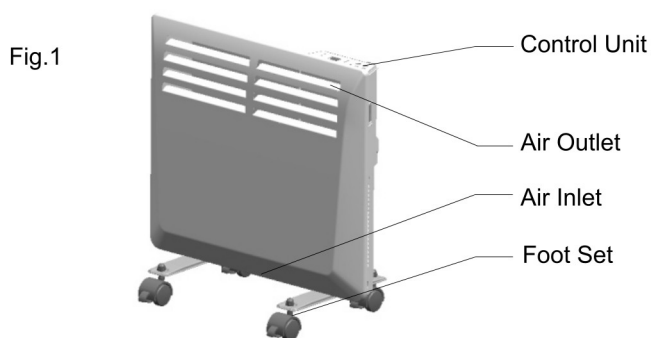
PLEASE READ ALL INSTRUCTIONS CAREFULLY BEFORE USING THE PRODUCT.

WARNING: to reduce the risk of fire, electrical shock or injury to persons or property:

- Read all instructions before using this appliance and keep for future reference.
- Use only the voltage specified on the rating plate on the heater.
- Do not cover or restrict airflow to the inlet or exhaust grilles in any manner as the appliance may overheat and become a fire risk.
- Do not cover grilles, block entry or exhaust of airflow by placing appliance against any surface. Keep all objects at least 1 metre from the front, side and rear of the appliance.
- Do not place the appliance close to a radiant heat source.
- Do not operate in areas where gasoline, paint or other flammable liquids are used or stored.
- This appliance heats up when in use. To avoid burns, do not let bare skin touch the surface. Switch appliance off and allow to cool before moving.
- Do not use the appliance to dry clothes.
- Do not insert or allow foreign objects or metal utensils to enter any ventilation or exhaust opening, as this may cause electric shock, fire or damage to the appliance.
- Do not immerse in liquid or allow any to run into the interior of the appliance, as this can create an electrical shock hazard.
- Do not reach for an appliance that has fallen into water. Switch off at power supply and unplug immediately.
- Do not operate any appliance with a damaged cord, plug or after the appliance malfunctions or has been dropped or damaged in any manner. Arrange for unit to return to the Kogan customer support center for mechanical adjustment, service or repair.
- Do not operate appliance with wet hands.
- The most common cause of overheating is deposits of fluff or dust in the appliance. Ensure these deposits are removed regularly by unplugging the appliance and vacuum cleaning air vents and grilles.
- Do not use this appliance in a window as rain may cause electric shock.
- Do not use an abrasive cleaning product on this appliance. Clean with a damp cloth (not wet) rinsed in hot soapy water only. Always remove plug from the mains power supply before cleaning.

- Do not connect the appliance to the mains voltage until completely assembled and adjusted.
- This appliance is not intended for use in outdoor locations.
- Do not use this appliance in the immediate surrounds of a bath, a shower or a swimming pool.
- Always operate upright. This unit CANNOT be laid down whilst in operation.
- Switch off and allow to cool before moving.
- Do not operate with cord set coiled up as a build up of heat is possible, which could be sufficient to become a hazard.
- The use of an extension cord with this appliance is not recommended.
- Do not remove plug from power socket until appliance has been switched off.
- Do not remove plug from power socket by pulling the cord. Always grip the plug itself.
- Always unplug appliance when not in use.
- This product is NOT suitable to be used on long pile carpets or Flokati rugs.
- Do not allow cord to come in contact with heated surface during operation.
- Do not run cord under carpeting, throw rugs or runners etc.. Arrange cord away from traffic areas so it will not be tripped over.
- Do not twist, kink or wrap the cord around the appliance as this may cause the insulation to weaken and split. Always ensure that all cords have been removed from any cord storage area.
- Do not use outdoors or whilst standing on a damp floor.
- Do not store appliance while it is still hot.
- This appliance is not intended for use by young children or infirm persons without supervision.
- Young children should be supervised to ensure they do not play with the appliance.
- The appliance must not be located immediately below a socket-outlet.
- Do not use this appliance with another programmer, timer or any other device that switches the heater on automatically, since a fire risk exists if the appliance is covered or positioned incorrectly.
- All covers of this appliance is intended to prevent direct access to the heating elements and must be in place when the appliance is in use.
- To avoid overloading, do NOT cover the heater.
- To reduce the risk of electric shock, do not immerse or expose the product or flexible cord to rain, moisture or any other liquid other than those necessary for correct operation of this product.
- The fireguard does not give full protection for young children and for infirm persons.
- If the supply cord is damaged, it must be replaced by the Kogan customer service technicians in order to avoid a hazard.
- Do not use this appliance outdoors or on wet surfaces. Avoid spilling liquid on the appliance.
- In order to avoid a hazard due to inadvertent resetting of the thermal cutout, this appliance must not be supplied through an external switching device, such as a timer, or connected to a circuit that is regularly on and off by the utilities.
- Use this appliance only as described in this manual. Any other use is not recommended by the manufacturer and may cause fire, electric shock or injury.
- This appliance is intended for household use only and not for commercial or industrial use.

OVERVIEW OF THE APPLIANCE

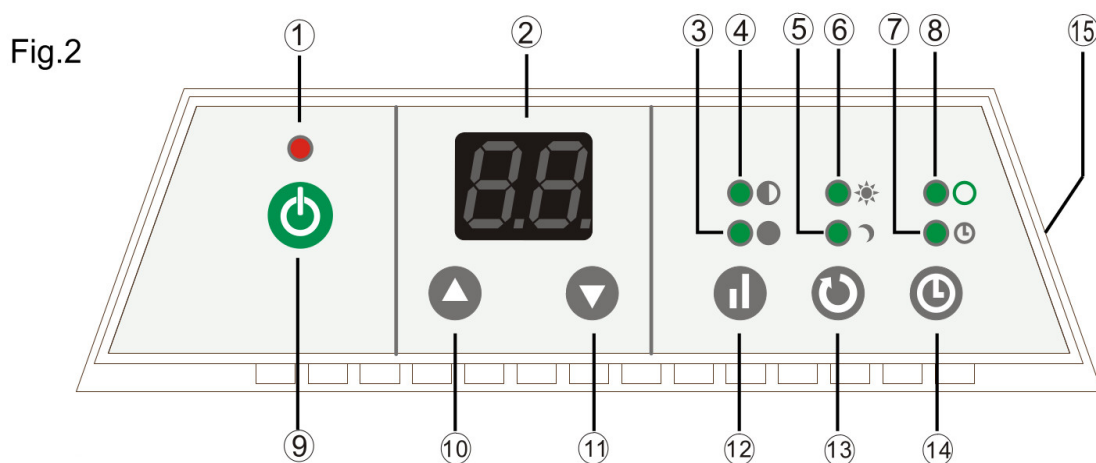


Specifications

Rated Power: 2000W/1000W
Rated Voltage: 220-240Vac 50Hz
Dimensions: 830x75x400

Control Panel

- 1: Red Power Light
- 2: LED Display
- 3: Rated output power for work
- 4: Part of output power for work
- 5: Economic/ON light - The temperature is controlled by the economic thermostat when lit.
- 6: Comfort/ON light - The temperature is controlled by the comfort thermostat when lit.
- 7: Timer indicator light
- 8: Working light (When lit, the heating element is working and active.)
- 9: Power Button
- 10: Upward adjustment (+)
- 11: Downward adjustment (-)
- 12: Button for output power
- 13: Button for comfort or economic temperature modes
- 14: Timer setting button
- 15: Ion Switch with light



Operation Guide

2.1 STARTING

- 2.1.1 Take heater out of carton carefully. Save the carton for storage and/or warranty returns.
- 2.1.2 Make sure the convector heater is in the OFF position before switching on.
- 2.1.3 Fix the heater steadily to whichever mounting method is preferred.
- 2.1.4 Do not use the same electrical outlet as other high wattage electrical appliances to avoid overloading your circuit.

2.2 TURN ON

Plus in the unit, where the red power indicator will light up after a short buzz. Press (9) "Power" first to turn on the unit. Room temperature will be displayed while the timer is cancelled. The comfort temperature light will be on and the temperature setting is factory set at 24C.

2.3 SETTING THE TEMPERATURE

Press "+"/"-" to add 1C or reduce 1C. The maximum temperature setting is 30C, while the minimum temperature setting is 5C. Keep pressing "+"/"-" to keep raising or lowering the temperature. The last temperature set is the valid one.

The system will return to the operation state if no action is taken within 5 seconds.

2.4 SETTING THE TIMER

Press (14) to set the timer, whereupon the setting time will be displayed and the timer indicator will flash. Timer units are measured in hours. Press "+"/"-" to add or reduce the timer by 1 hour. Timer range is 0 - 24 hours.

With indicator lighting, the system will start the timer automatically according to the last time set if no button has been pressed for 5 seconds. Each time the "+" or "-" button is pressed, the timer will reset and begin counting again.

Once the timer has depleted, the unit will buzz and turn itself off.

2.5 TURN OFF

Hold down the "Power" button for 3 seconds in any status to turn off the unit, where there will be no display items shown, however the power indicator light will stay illuminated.

2.6 MEMORY FUNCTION AFTER SHUTTING DOWN

When the heater is turned off, whatever temperature was set previously will be what the heater will be set to upon being turned on again. Set timers will not be remembered.

2.7 KEY PRESS SOUNDS

Whenever a button is pressed, the heater will sound a tone to inform you that your press has been registered.

2.8 CHILD SAFETY LOCK FUNCTION

Under working mode, press both "+" and "-" at the same time to lock the system. A square symbol will be displayed, then 3 seconds later the regular temperature reading will resume. If a button is pressed, the symbol will reappear and the keypress tone will not be sounded.

To unlock the child safety lock, you can either turn off the machine, wait for the timer to complete or press and hold both "+" and "-" for 3 seconds.

2.9 SETTING THE COMFORT OR ECONOMY TEMPERATURES

The factory-set Comfort/ON temperature is 24C. Follow the steps below to alter this setting. The comfort temperature light will be on when the heater is started. The heater will work to the set comfort temperature, which can be altered using the "+" and "-" buttons to set your desired temperature.

If you press the "Comfort/Economic" button (13) once, the economy light will come on and the comfort light will go out. The heater will now work in Economy mode, which can be altered using the "+" and "-" buttons to set to your desired temperature. The heater will automatically turn off if the room temperature becomes higher than this temperature setting.

To go back to Comfort mode press the "Comfort/Economic" button (13) again.

Economy temperature will be set at 4C below the comfort temperature.

2.10 POWER SELECTED

Press the "Output Power" button (12) to select the rated power. The heater will normally be running at full power and the full power light (3) will be on. If you press the "Output Power" the full power light will go out and the half power light (4) will be on.

2.11 BACKUP IN THE EVENT OF MAINS POWER FAILURE

All of the values from the timer, temperatures, program creation and program selection that have been set by the user will be saved.

2.12 IONIZER FUNCTION

Press the Ion switch (15) which will turn on the Ionizer function. This will make the air in the room cleaner.

SAFETY FEATURES

The unit is equipped with a high limit switch, which will switch the heater off if it enters into an overheating situation.

The heater will then automatically come back online when it has cooled down sufficiently.

The heater also has a tilt switch, which will shut the power down when the heater is tilted or falls over.

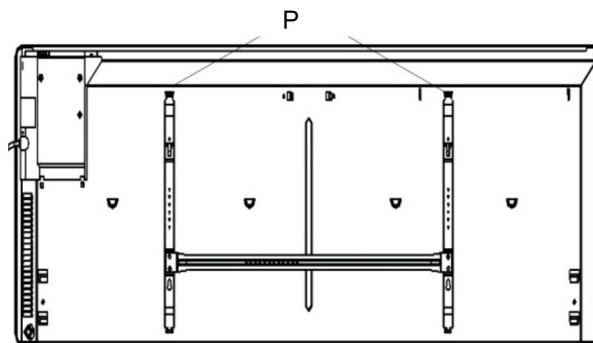
USAGE TIPS

Cleaning Instructions

Cleaning behind the heater

It is very easy to clean behind the heater. Press down the two top catches (P) (please refer to the diagram below) on the back of the heater to pull the heater forwards. After cleaning, the heater must be fixed back into the normal position.

Fig.5



The heater requires regular cleaning to ensure trouble free operation.

Unplug the heater from the mains power supply before cleaning.

Ensure the heater has been allowed to cool down completely before cleaning.

Use a damp cloth (not wet) to wipe the exterior of the heater to remove dust and dirt.

Use a vacuum cleaner to remove dust and fluff from around the grilles.

Ensure the heater is dry before plugging it back into the mains power supply.

WARNINGS

1. Fix the heater firmly to the wall, or stand the heater in the upright position.
2. The heater is to be installed so that the controls cannot be touched by a person using a bath or shower.
3. The heater is to be installed so that it is not located directly under a socket outlet.
4. When the heater is working as it is in free standing mode, please do not use it in the vicinity of a bath, shower or swimming pool.
5. When the heater is working, do not touch it at all when in the vicinity of a bath, pool, shower or wet floor.
6. If the power cord or unit gets damaged or malfunctions, contact the Kogan Customer Support team for further information.
7. DO NOT remove the cover when the heater is working.
8. Always store the heater when not in use.
9. Make sure the heater has cooled down before storing it away.

Service

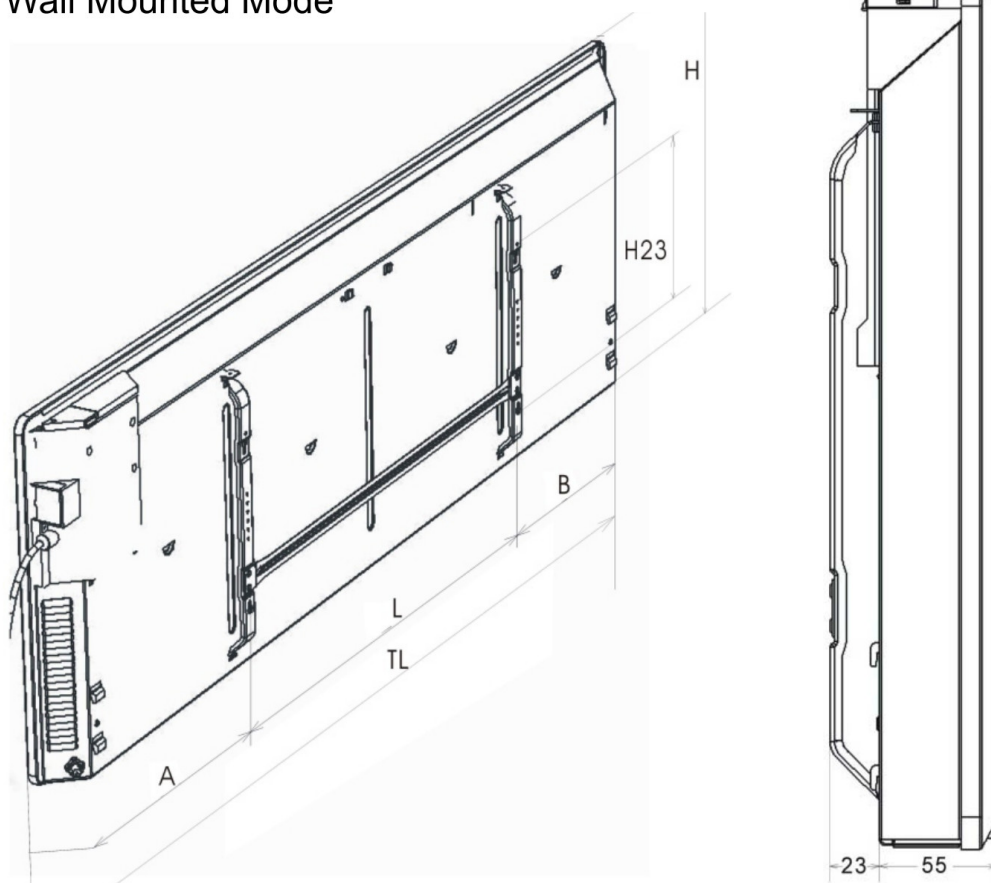
When unit or cord requires service, contact Kogan Customer Support.

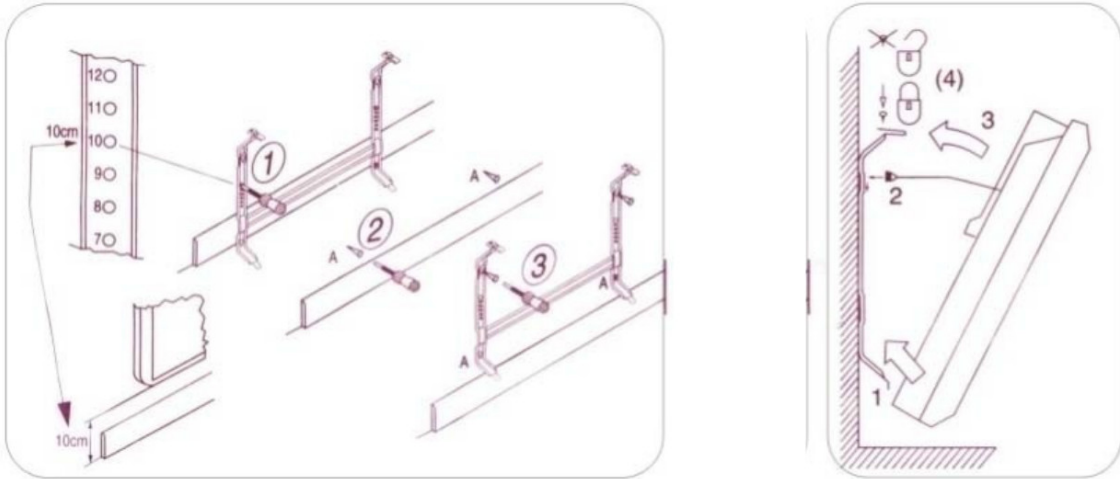
Storage

If you do not plan to use the heater for extended periods of time, it is recommended that the heater is cleaned then stored (preferably in its original packaging) in a cool dry place.

MOUNTING GUIDE

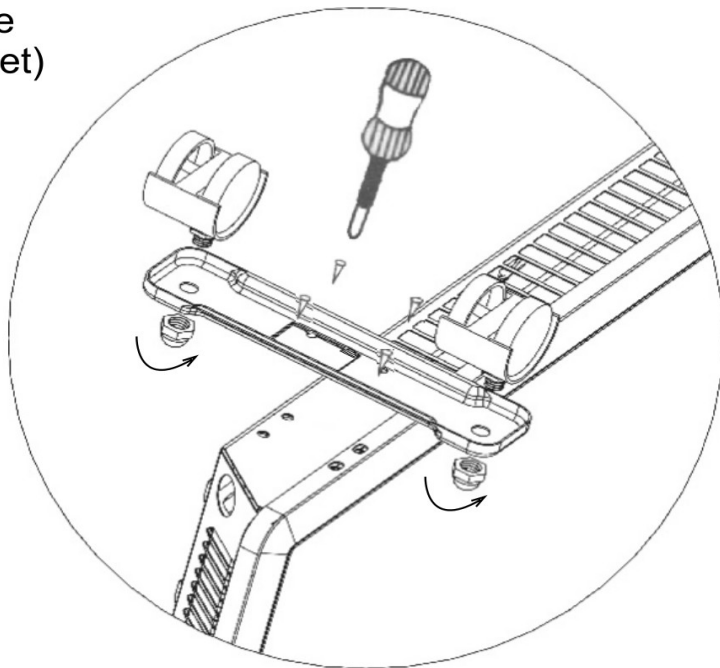
Wall Mounted Mode





MODEL	POWER (W)	TL mm	H mm	A mm	L mm	B mm	H23 mm
KAHTP22XXXA	2000/1000	830	400	290	250	290	200

Freestanding Mode (Fixing The Foot Set)



If you have any further questions, please contact the Kogan.com customer support team.