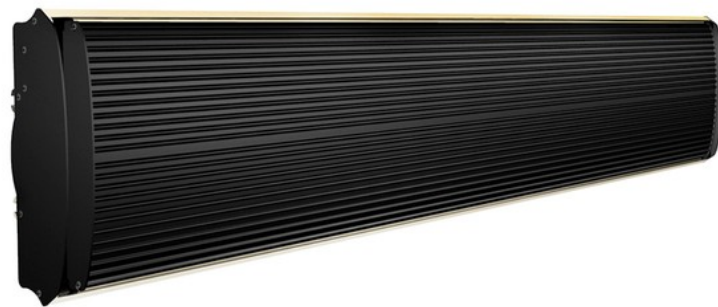


kogan

SOEPVÙFÌ ØÏÝØ

USER MANUAL



Thank you for purchasing the Kogan 1800W Outdoor Radiant Strip Heater. Please read these instructions carefully before operating the product.

Why choose a Radiant Strip Heater over a conventional patio heater?

Conventional heaters function by heating the air around them, which is often then dissipated due to wind and surrounding low temperatures. This can often result in uncomfortably hot temperatures close to the heat source and leave the rest of the area still in the cold.

Radiant style heaters transfer heat directly to people and surfaces via infra-red waves, meaning that the warmth penetrates through the air, providing a comfortable even temperature.

Performance Features

Comfort: No moving air currents, light or odour will emanate from the unit, so you will not have dust or other airborne particles disturbed.

Energy Efficient: Once the unit has heated up to the desired temperature, instead of having to keep burning energy at that level like an electric bar heater or a gas flame, the radiator heater simply maintains the heat at that level with minimal heat loss.

Working Conditions

Ambient temperature: -30C ~ +30C

Rated Voltage: 220-240V~

Rated Frequency: 50Hz/60Hz

Relative Humidity: less than 95%

Installation Requirements

Qualified installer: The installation should be performed by professional installation personnel with an electrical installation certificate and it must meet the national electrical safety standards.

- **Installation conditions:**

Supply voltage fluctuation range should be within $\pm 10\%$. If this is not met, the power supply should be revised prior to installation.

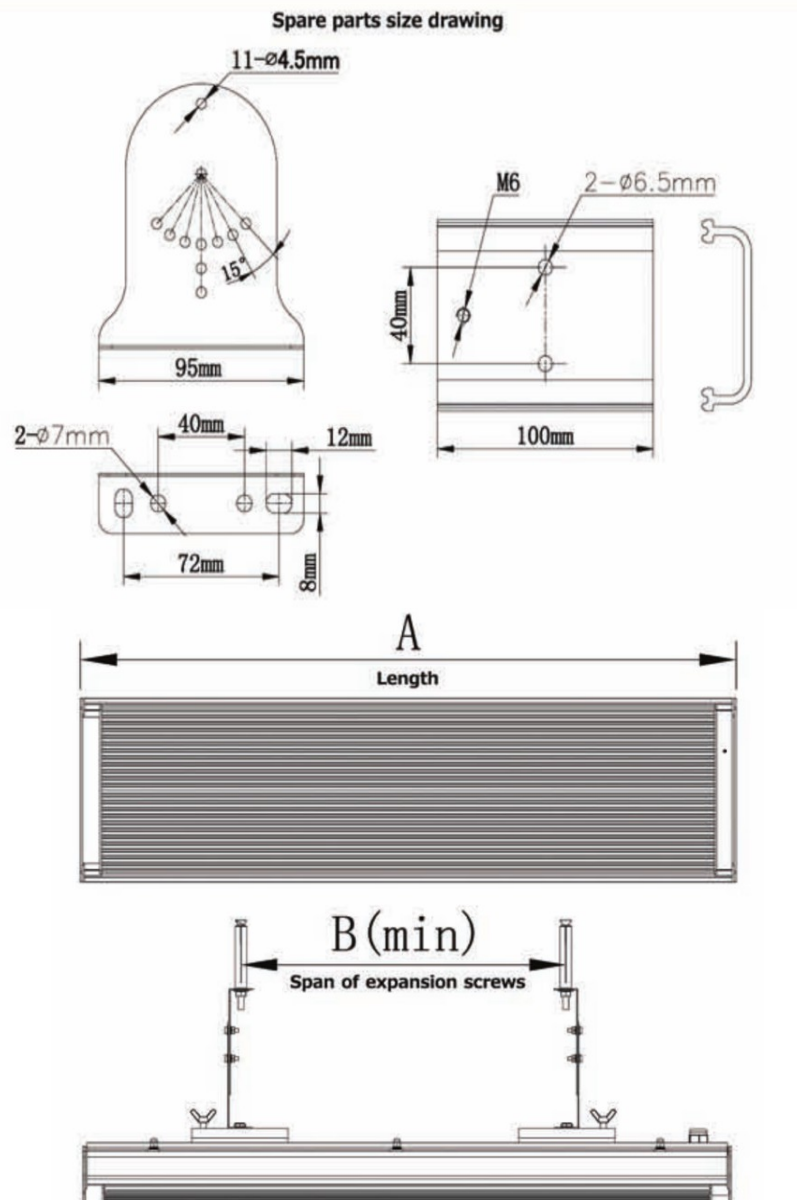
- If there is a serious security risk in the users' electricity environment, installation should be refused until the risk has been eliminated.
- Electricity lines should be equipped with earth leakage protection devices and a master safety switch.

- Ground wire should be connected to the grounding device on the building. If not, please consult a professional installer. Do NOT put ground wire to a gas pipe, water pipe, lightning rod or telephone grounding line.

Electrical Parameters Comparison Table

Model No.	Power (W)	Rated Current (A)	Voltage (V)	Wire length (mm)
ZB-10A	1000	4.3	220-240	2000
ZB-18A	1800	7.8	220-240	2000
ZB-24A	2400	10.4	220-240	2000
ZB-32A	3200	13.9	220-240	2000

Installation Instructions

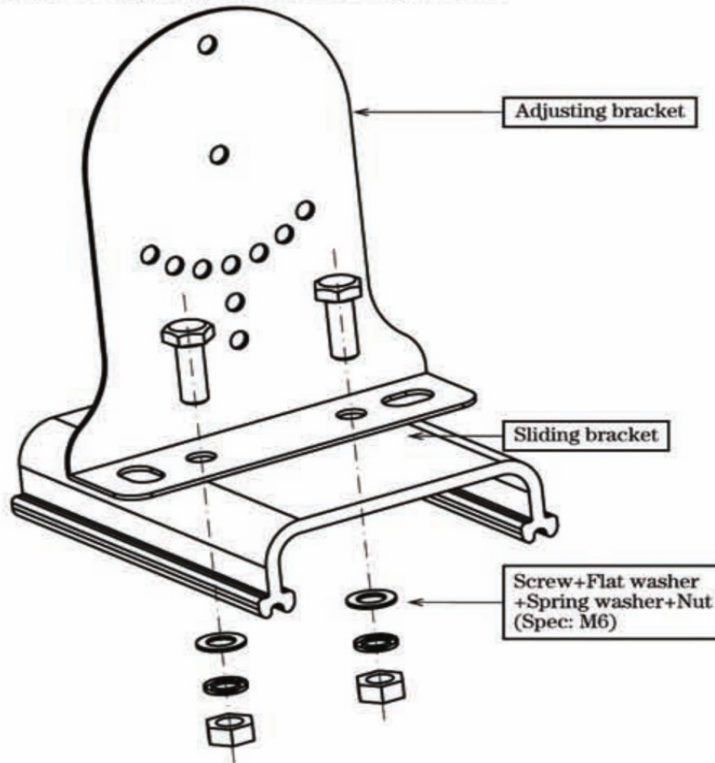


Model No.	Dimension A	Dimension B	Model No.	Dimension A	Dimension B
ZB-10A	600mm	200mm	ZB-24A	1500mm	1200mm
ZB-18A	1000mm	700mm	ZB-32A	2000mm	1700mm

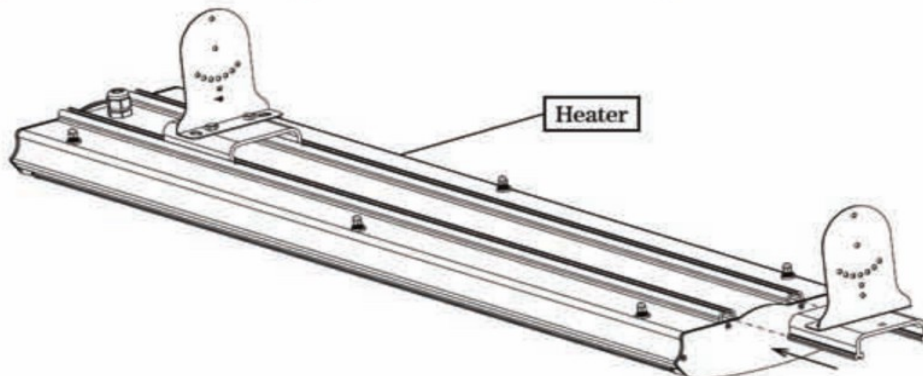
Step 1 : Take out packing of both ends of heater.



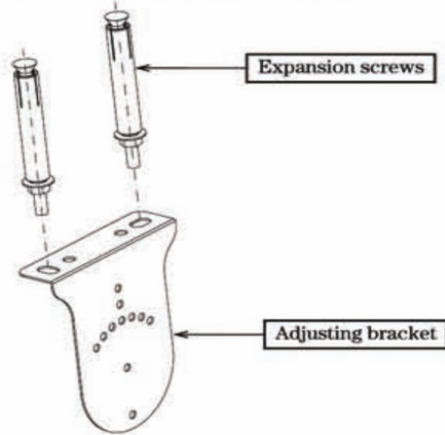
Step 2 : Installation of adjusting bracket & sliding bracket.



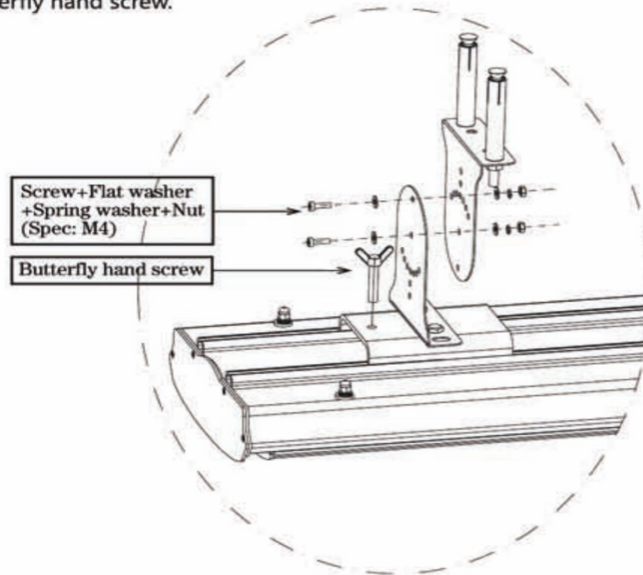
Step 3 : Installation of sliding bracket & heater, as arrow points.



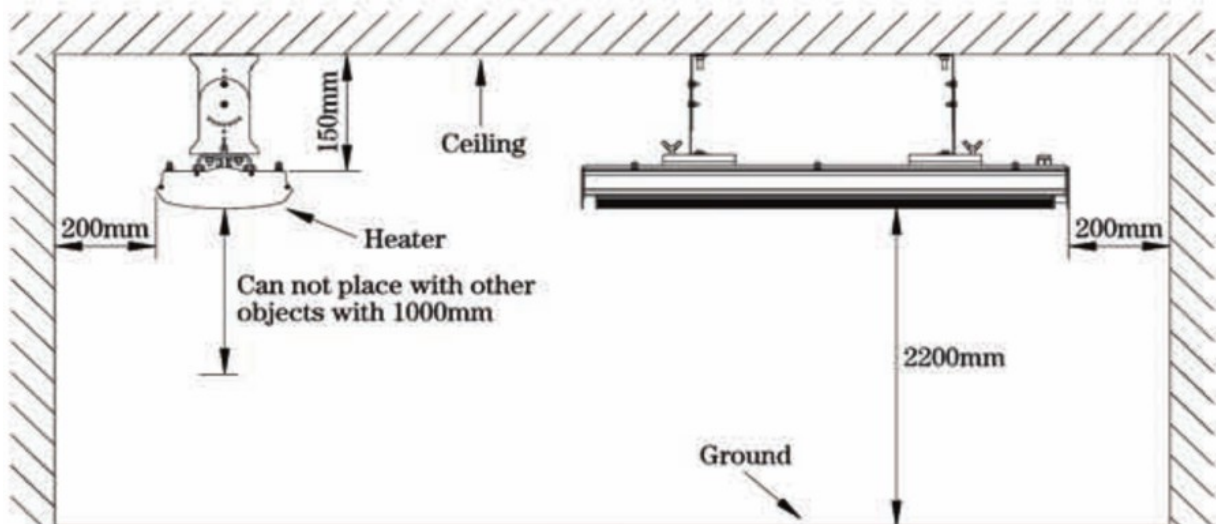
Step 4 : Fix adjusting bracket into the wall by expansion screws.



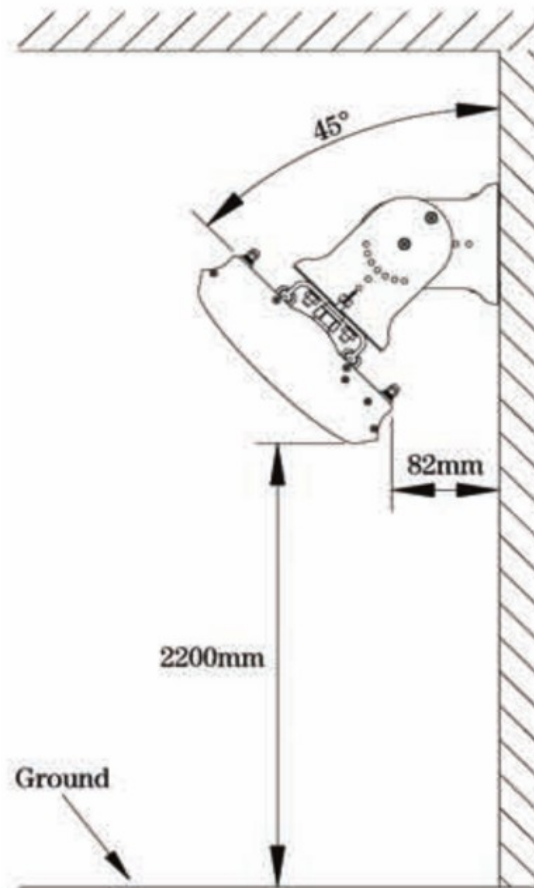
Step 5 : Installation of two adjusting brackets; make sure lock brackets tight by butterfly hand screw.



Installation Diagram

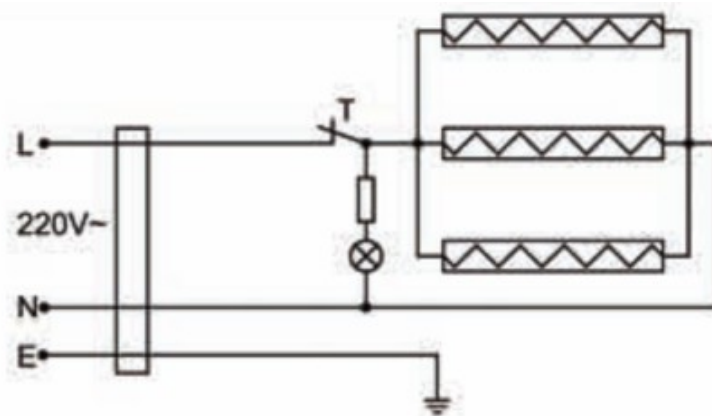


Picture 1



Picture 2

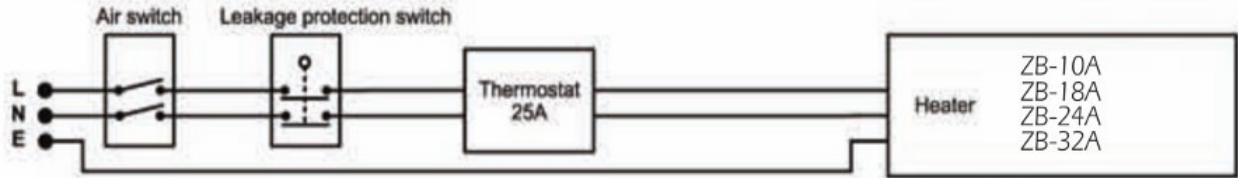
Internal Wire Diagram



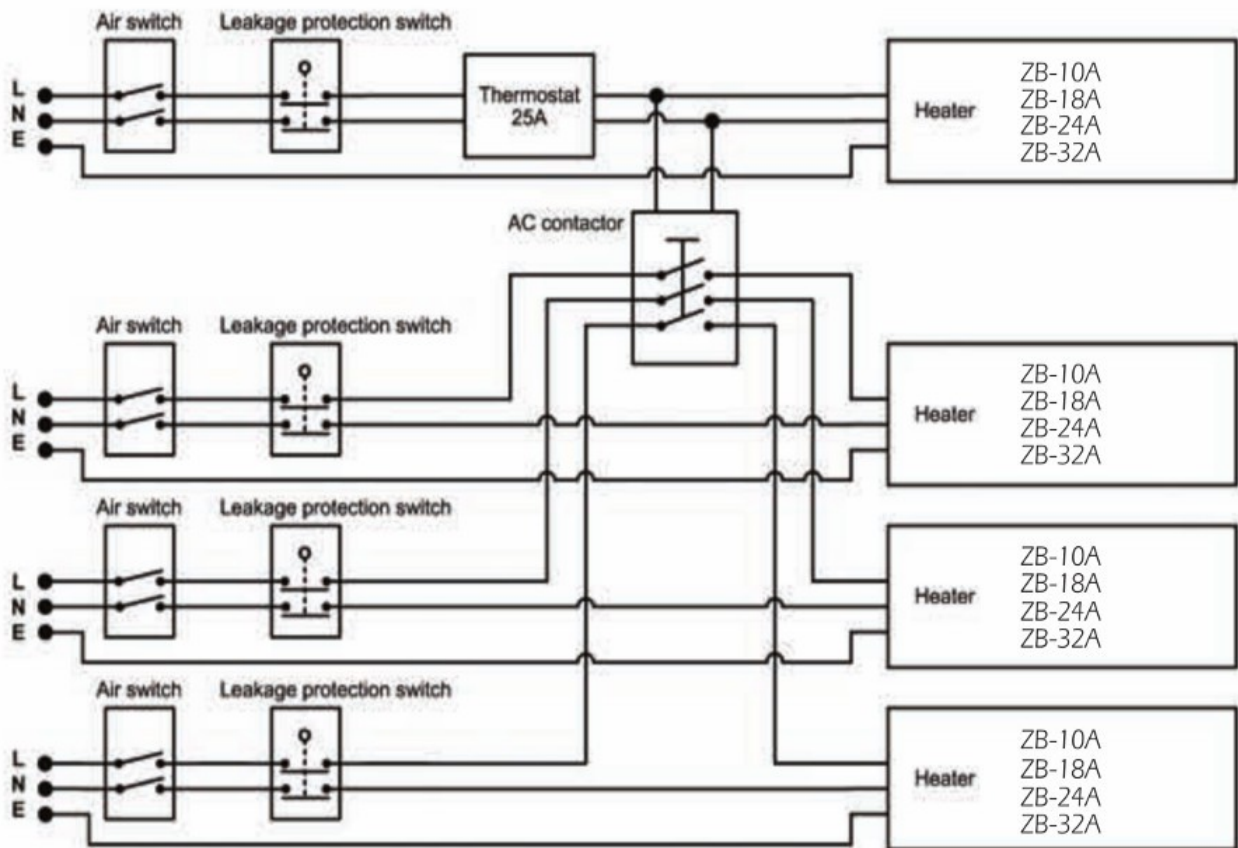
Wire Diagram

Follow wiring instruction as follows:

1. One unit control



2. Several units control



Inspection Items after Installation

Items to be checked	Situation caused by improper installation
Is installation stable?	The equipment may fall off or shake.
Is heat insulation adequate?	Objects close to heater may be damaged.
Does voltage match voltage on nameplate?	Equipment failure.
Is the wire connection correct?	Equipment failure.
Does electricity ground safely?	Electricity leakage risk.
Does wiring conform to national standards?	Equipment failure or circuit damage.

Inspection Items for Commissioning

- Do not turn on power before the installation is entirely complete.
- All wire connections must be correct and stable.
- All scattered objects and tools must be removed from the heater body.
- Connect unit to power and observe it working for a duration before leaving it operating unattended.

Safety Precautions

- Do not use the same power socket to power other appliances in case of current overload. Make sure the plug and the socket are making good contact.
- Please disconnect power supply when powering off for an extended period of time.
- Please stop power immediately in the case of the heater failing or wires breaking. Users can not repair the heaters themselves. Please contact the Kogan Customer Support team for warranty and repair advice.
- Radiant heater must not be placed directly below the power outlet.
- The surface of the heater will get extremely hot. It must be installed higher than 2.2 meters above the ground.
- The heater must not be covered and can not be hung off other objects or equipment.
- The distance between the back of the heater and the roof should be larger than 150mm and the sides should be kept 200mm away from other surfaces. Do not place anything within 1 meter of the front of the heater.
- Power must be turned off and the surface allowed to cool prior to cleaning. Flushing unit with water is prohibited.
- Users cannot repair the heater. Please contact the Kogan Customer Support for maintenance or repair requirements.
- Do not install or use the heater in areas with flammable or explosive items nearby.
- Please do not insert any metal or foreign objects into the heater.
- The panel surface of the heater can reach temperatures between 250C ~ 380C. Touching the surface is forbidden and children **MUST** be supervised when heater is in use.
- Do not splash water into the heater under any circumstances.

Packing List

NO.	Name	QTY
1	Heater	1 pc
2	Adjusting Bracket	4 pc
3	Sliding Bracket	1 pc
4	Fastener	1 set
5	Certification	1 pc

Specifications

Model	Dimension(mm)	Package Size(mm)	Net Weight (kg)	Gross Weight (kg)
ZB-10A	600*189*67	680*250*145	3.7	4.8
ZB-18A	1000*189*67	1080*250*145	6.2	7.4
ZB-24A	1500*189*67	1580*250*145	8.8	10.6
ZB-32A	2000*189*67	2080*250*145	11.6	13.6