

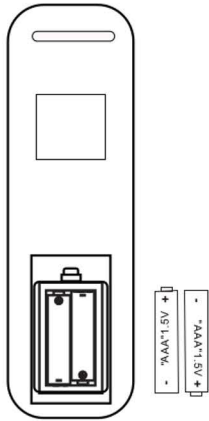
kogan

32" LED TV (HD)

KALED32XXXZB

Quick Start Guide





Open the battery cover on the remote control. Insert two AAA size batteries making sure to match the positive and negative icons of the battery with the battery compartment. Then close the battery cover.



AUTO SCAN

The first time you power on the TV, the "First time setup " will be shown on the TV screen. Please follow below procedures to do first-time installation, including channel search.



Press the ▲/▼ button to select the desired sub-menu item.

OSD Language

Press ◀/▶ button to select the language to be used for menus and message.

Mode Setting

Press ◀/▶ button to select mode.

Country

Press ◀/▶ button to select the country you live in.

Auto Scan

Press ◀/▶ button to select Mode: **DTV+ATV**, **DTV**, **ATV**.

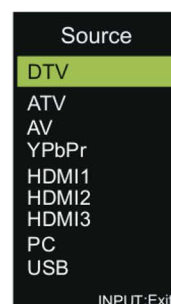


Auto Tuning Status

Digital channels scan first. Press the **MENU** button to skip digital tuning, Analogue tunes next. Press **MENU** button to skip analogue tuning.

Display the INPUT:

Press the "INPUT" button to display the Source list. Use the "UP ▲" or "DOWN ▼" button to select TV input method and then press the "Right ▶" or "ENTER" button to enter different modes.



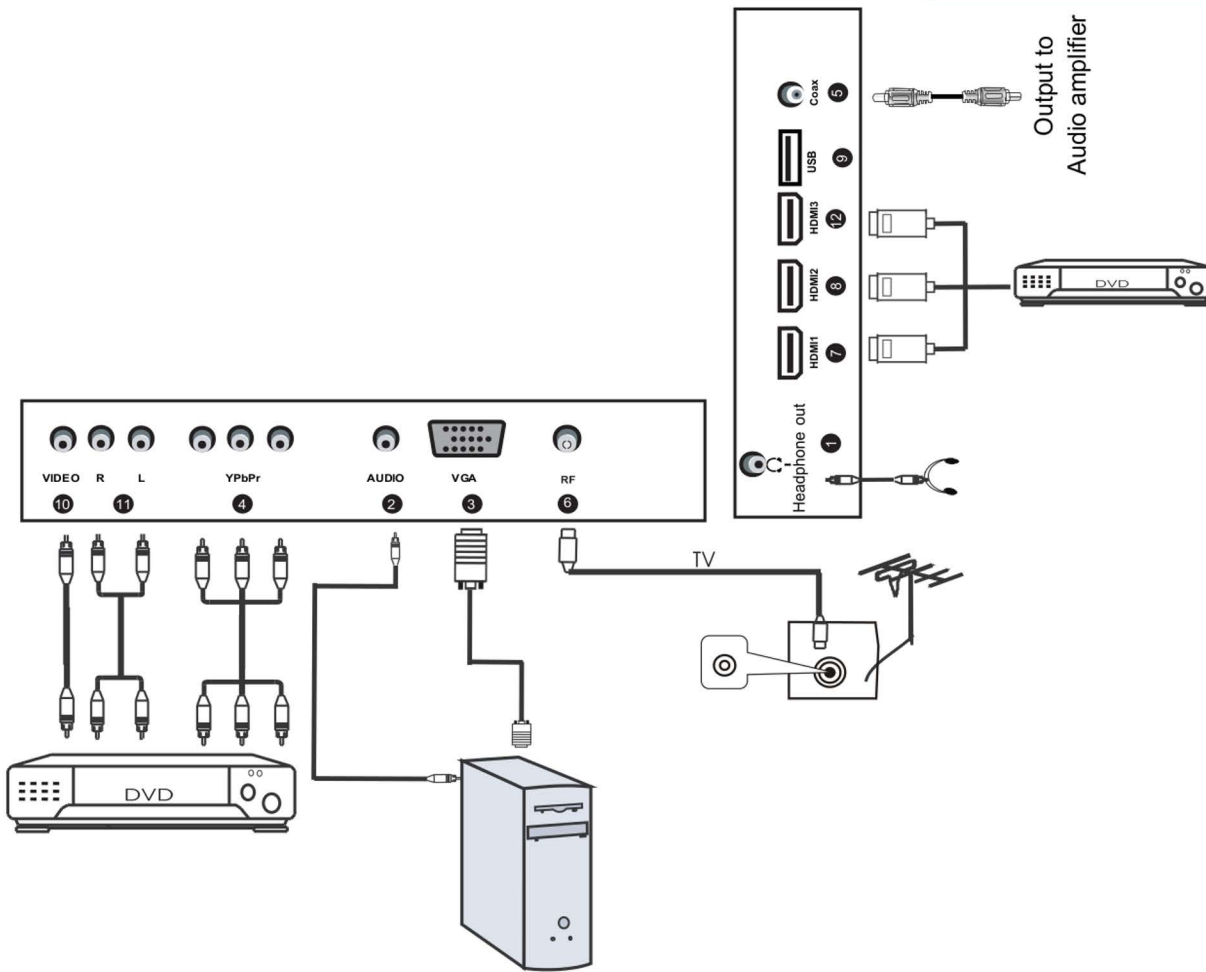
INPUT

INPUT button is on the right hand side of remotecontrol



Connecting Cables

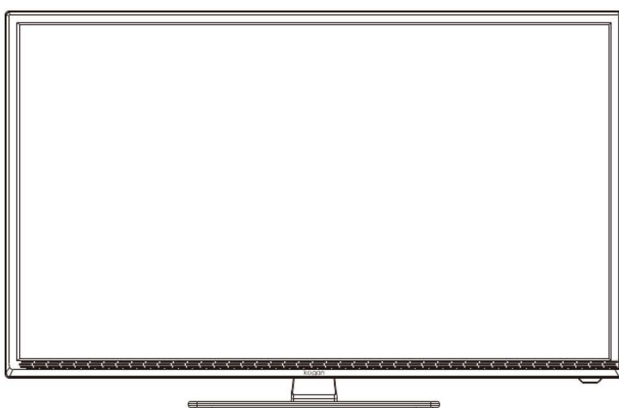
This LED TV has digital multimedia performance and can be connected to multiple external devices. The following diagram presents the connections to other video and audio appliances.



1. **Headphone:** Connect it to your headphone or other audio equipment.
2. **PC-IN:** Connect it to the audio output terminal of PC.
3. **VGA:** For PC display. Connect it to the D-Sub 15 pins analog output connector of the PC.
4. **YPbPr:** Connect them to the YPbPr video output terminal of DVD with the Converter cable.
5. **COAXIAL:** Digital coaxial output.
6. **RF:** Connect antenna or cable 75 Ohm coaxial to receive TV signal.
- 7/8/12. **HDMI1/HDMI2/HDMI3:** Connect it to the HDMI of DVD or other media equipment.
9. **USB:** USB jack for updates, media and PVR.
10. **VIDEO IN:** Connect composite video.
11. **AUDIO IN:** Composite Audio or Component Audio.

Power Switch

This LED TV has digital multimedia performance and can be connected to multiple diagram presents the connections to other video and audio appliances.



POWER SWITCH

(Press this button to turn TV on or off.)