

kogan

46L Mini Bar Fridge KAMNIBRFRGE Quick Start Guide

Table of Contents

Safety Instructions.....	1
Technical Data.....	2
Product Layout.....	2
Installation Instructions.....	3
Operating your Mini Fridge.....	3
How to set the temperature.....	3
Care & Maintenance.....	4
Cleaning your mini fridge.....	4
Moving your mini fridge.....	4
Troubleshooting.....	4

Safety Instructions

Please read carefully and follow all safety rules and instructions.

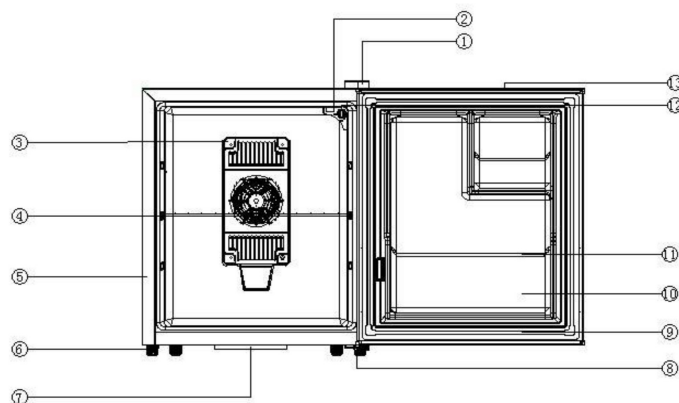
- **WARNING:** risk of child entrapment.
Junked or abandoned appliances are dangerous, even if they “just sit in the garage a few days.”
- **Before you throw away your old mini fridge:** take the door off, leaving the shelves in place so that children may not climb inside easily.
- Never allow children to operate, play with or crawl inside the appliance.
- Never clean appliance parts with flammable fluids. The fumes can create a fire hazard or explosion.
- Do not store or use gasoline or any other flammable vapours or liquids in the vicinity of this or any other appliance. The fumes can create a fire hazard or explosion.
- This appliance is not intended for use by persons (including children) with reduced physical sensory or mental capabilities, or lack of experience and knowledge, unless they have been given supervision or instruction concerning use of the appliance by a person responsible for their safety.
- Children should be supervised to ensure that they do not play with the appliance.

WARNING: please do not use where children can touch the unit, nor let children use the unit by themselves.

Technical Data

Model no.	KAMNIBRFRGE
Capacity	46L
Voltage	220-240V/50Hz
Current	1A(25°C)
Protection class	I
Climate class	SN;N
Input power	120W
Power Consumption(KW.h/24h)	0.35(17°C)
Max working temperature	32°C
Max Temperature Difference	≥23°C
Temperature Control Range	2-12°C
Net weight	11.43kg
Gross weight	13.43kg
Shape size(L×H×P)	42 x 52 x 49 CM
Packing size(L×H×P)	46 x 55 x 53.2 CM

Product Layout



1. Upper door hinge cover	2. Light switch	3. Fan mask
4. Shelf	5. Cabinet	6. Feet
7. Water tray	8. Lower door hinge	9. Door seal
10. Door	11. Trim	12. Mechanical control knob
13. Handle		

Installation Instructions

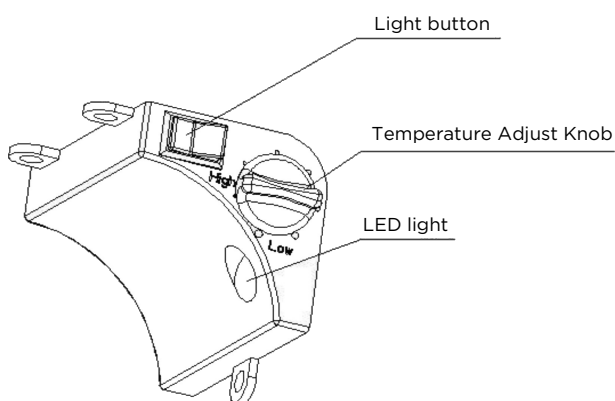
- Remove the exterior and interior packing
- Before connecting the appliance to the power source, let it stand upright for approximately 2 hours. This will reduce the possibility of a malfunction in the cooling system from handling during transportation.
- Clean the interior surface with lukewarm water using a soft cloth.
- Place your appliance on a floor that is strong enough to support the appliance when it is fully loaded. To level your appliance, adjust the front legs at the bottom of the appliance.
- Install away from direct sunlight and sources of heat (stove, heater, radiator, etc.). Direct sunlight may affect the acrylic coating and heat sources may increase electrical consumption. Extreme cold or hot ambient temperatures may also cause the appliances not to perform properly.
- Take care to place the fridge with a 2-3cm gap to the surrounding walls to allow for proper air circulation.
- Not designed for placement in a basement.
- The appliance is for indoor use only.

Operating your Mini Fridge

It is recommended that you install the mini fridge in a location where the ambient temperature is between 10-26°C. If the ambient temperature is above or below recommended temperatures, the performance of the unit may be affected. For example, placing in extreme cold or hot conditions may cause interior temperatures to fluctuate. The range of 2-12°C may not be reached. The temperature may fluctuate depending on whether or not the interior light is on or off or whether the bottles are located on the upper, middle or lower section.

How to set the temperature

There is a mechanical control knob inside the cabinet. Rotate the knob to adjust the temperature.



There is a TEMP-ADJ knob inside the mini fridge. The temperature can be adjusted in the range of 2°C - 12°C in the cabinet.

The TEMP-ADJ button is set at a certain point in the fridge during manufacturing. You can then adjust this yourself according to your requirements.

When first using the mini fridge, turn the knob to "High" to lower the temperature quick.

There is a light switch in the control panel. Press to turn the light on or off.

Care & Maintenance

Cleaning your mini fridge

- Unplug the mini fridge and remove the bottles.
- Wash the inside with a warm water and baking soda solution. The solution should be about 2 tablespoons of baking soda to a quart of water.
- The outside of the wine cooler should be cleaned with a mild detergent and warm water.
- Draw out the water box at the bottom, and wash.

Moving your mini fridge

- Remove all bottles.
- Securely tape down all loose items inside your wine cooler.
- Turn the levelling legs up to the base to avoid damage.
- Tape the door.
- Be sure the wine refrigerator stays in the upright position during transportation.

Troubleshooting

Issue	Solution
Fridge isn't operating.	Check that the plug is plugged in securely and that the circuit breaker hasn't been tripped in your meter box.
Fridge is not cold enough.	Check the temperature control setting. External environment may require a higher setting. The door is being opened too often. The door is not closed completely. The door seal does not seal properly. The fridge does not have the correct clearance around it.
The light does not work.	Contact the Kogan customer support team.
The fridge is vibrating during use.	Check to assure that the fridge is level.
The fridge seems to make too much noise.	The fridge is not level. Check the fan.
The door will not close properly.	The fridge is not level. The doors were reversed and not properly installed. The seal is weak. The shelves are out of position.
LED does not display.	Main control board does not work. There is some problem with the plug. Contact the Kogan customer support team.
LED display error.	Weak quality of display. Contact the Kogan customer support team.
Bottoms are not functional.	Temperature controller panel is damaged.
Door does not close tightly	Check the door seal if it is in proper position. Check if items are placed in their correct positions. Weak magnetic door seal.