



46L MINI BAR FRIDGE

KAMNIBRFRGE

SAFETY & WARNINGS

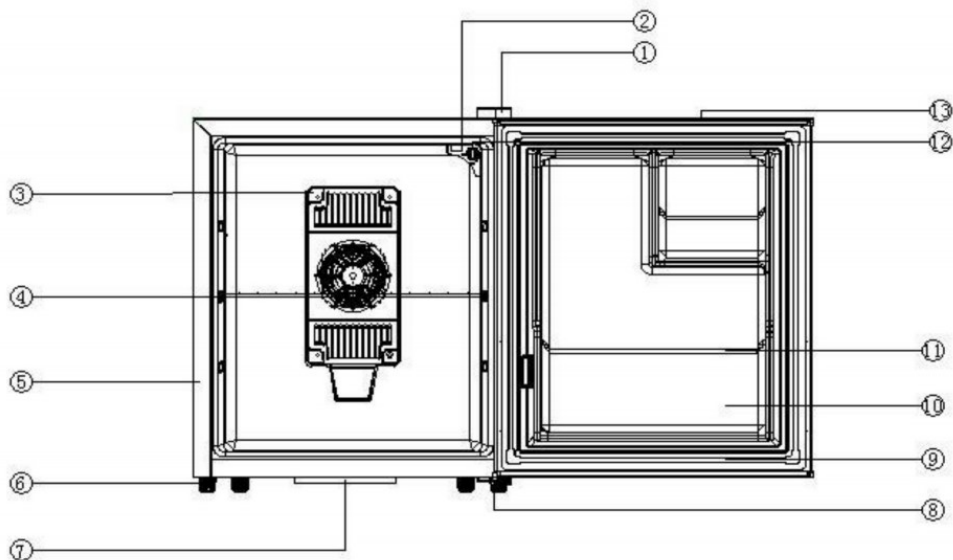
Please read carefully and follow all safety rules and instructions.

WARNING: Risk of child entrapment. Junked or abandoned appliances are dangerous, even if they are only left unattended for a short period.

- Before you throw away your old mini fridge: take the door off, leaving the shelves in place so that children may not climb inside easily.
- Never allow children to operate, play with or crawl inside the appliance.
- Never clean appliance parts with flammable fluids. The fumes can create a fire hazard or explosion.
- Do not store or use gasoline or any other flammable vapours or liquids in the vicinity of this or any other appliance. The fumes can create a fire hazard or explosion.
- This appliance is not intended for use by persons (including children) with reduced physical sensory or mental capabilities, or lack of experience and knowledge, unless they have been given supervision or instruction concerning use of the appliance by a person responsible for their safety.
- Children should be supervised to ensure that they do not play with the appliance.

WARNING: Do not use where children can touch the unit, nor let children use the unit by themselves.

OVERVIEW

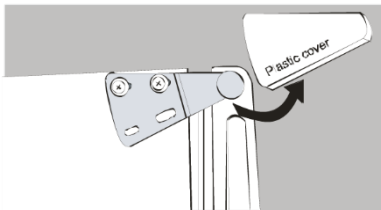


- | | |
|---------------------------|-----------------------------|
| 1. Upper door hinge cover | 8. Lower door hinge |
| 2. Light switch | 9. Door seal |
| 3. Fan cover | 10. Door |
| 4. Shelf | 11. Trim |
| 5. Cabinet | 12. Mechanical control knob |
| 6. Feet | 13. Handle |
| 7. Water tray | |

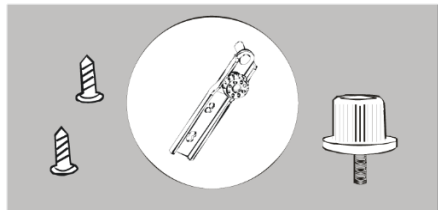
INSTALLATION

- Remove the exterior and interior packaging
- Before connecting the appliance to a power source, let it stand upright for approximately 2 hours. This will reduce the possibility of a malfunction in the cooling system from handling during transportation.
- Clean the interior surface with lukewarm water using a soft cloth.
- Place your appliance on a floor that is strong enough to support the appliance when it is fully loaded. To level your appliance, adjust the front feet at the bottom of the appliance.
- Install away from direct sunlight and sources of heat (stoves, heaters, radiators etc.) Direct sunlight may affect the acrylic coating, and heat sources may increase electrical consumption. Extreme cold or hot ambient temperatures may also cause the appliance to not perform properly.
- Take care to place the fridge with a 2-3cm gap to the surrounding walls to allow for proper air circulation.
- Not designed for placement in a basement.
- The appliance is intended for indoor use only.

Reversing the door swing



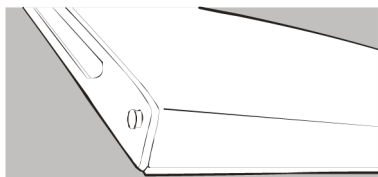
Step 1



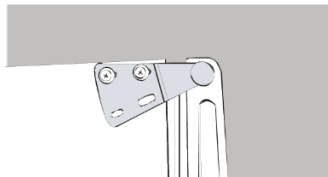
Step 2

1. Remove the plastic covering from the top door hinge and unscrew the two screws from the bottom bracket. Remove the foot from the opposite side.
2. Place the pieces to one side for now.

INSTALLATION (cont'd)



Step 3



Step 4

3. Slide the door down about 15cm and off the top hinge pin and then lift it away from the fridge.
4. Remove the two screws from the top bracket and replace them on the other side. You will need to remove the plastic caps from the other side first.



Step 5

5. Slide the door back onto the top hinge, making sure it is facing the right way up. Screw the bottom hinge into place on the new side. Replace the other foot on the other side and then replace the plastic covering by clicking it back into place on the door hinge.



Step 6

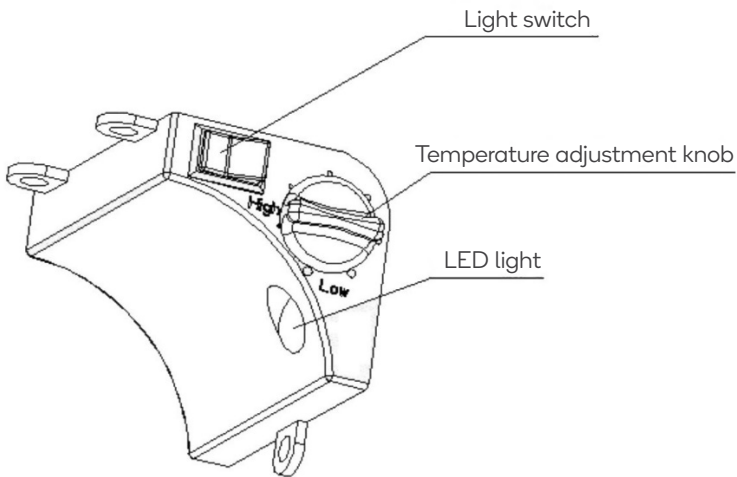
6. Check that the door is aligned horizontally and vertically and that the seals are closed on all sides before finally tightening the bottom hinge.

OPERATION

It is recommended that you install the mini fridge in a location where the ambient temperature is between 10-26°C. If the ambient temperature is above or below recommended temperatures, the performance of the unit may be affected. For example, placing in extreme cold or hot conditions may cause interior temperatures to fluctuate. The range of 2-12°C may not be reached. The temperature may fluctuate depending on whether the interior light is on or off or whether the bottles are located on the upper, middle, or lower section.

Setting the temperature

There is a mechanical control knob inside the cabinet. Rotate the knob to adjust the temperature.



The temperature adjustment knob allows temperature adjustment in the range of 2°C – 12°C in the cabinet. The knob is set at a certain point in the fridge during manufacturing, and you can then adjust this yourself according to your requirements. When first using the mini fridge, turn the knob to “High” to lower the temperature quickly. There is a light switch in the control panel; press to turn the light on or off.

CARE & MAINTENANCE

Cleaning your mini fridge

- Unplug the mini fridge and remove the bottles.
- Wash the inside with a warm water and baking soda solution. The solution should be about 2 tablespoons of baking soda to a litre of water.
- The outside of the mini fridge should be cleaned with a mild detergent and warm water.
- Draw out the water box at the bottom, and wash.

Moving your mini fridge

- Remove all bottles.
- Securely tape down all loose items inside the mini fridge.
- Turn the levelling legs up to the base to avoid damage.
- Tape the door closed.
- Ensure the mini fridge stays in the upright position during transportation.

TROUBLESHOOTING

Issue	Solution
Fridge is not operating.	Check that the plug is plugged in securely and that the circuit breaker has not been tripped in your meter box.
Fridge is not cold enough.	<ul style="list-style-type: none"> • Check the temperature control setting. External environment may require a higher setting. • The door is being opened too often. • The door is not closed completely. • The door seal does not seal properly. • The fridge does not have the correct clearance around it.
The light does not work.	Contact the Kogan customer support team.
The fridge is vibrating during use.	Check to ensure that the fridge is level.
The fridge seems to make too much noise.	<ul style="list-style-type: none"> • The fridge is not level. • Check that the fan is unobstructed.
The door will not close properly.	<ul style="list-style-type: none"> • The fridge is not level. • The doors were reversed and not properly installed. • The seal is weak. • The shelves are out of position.
LED does not display.	<ul style="list-style-type: none"> • Main control board does not work. • There is some problem with the plug. • Contact the Kogan customer support team.
LED display error.	Contact the Kogan customer support team.
Buttons are not functional.	Temperature controller panel is damaged
Door does not close tightly	Check the door seal if it is in proper position. Check if items are placed in their correct positions. Weak magnetic door seal.



Need more information?

We hope that this user guide has given you the assistance needed for a simple set-up. For the most up-to-date guide for your product, as well as any additional assistance you may require, head online to **help.kogan.com**

kogan.com