

Model Code:

KAMTGASCTPA

Product:

60cm Gas Cooktop

kogan

### Features

4 burners inc. 1 wok burner

201 Grade s/steel surface

Electronic under-knob ignition

Cast iron trivets

Natural gas or LPG

Flame failure safety device

Front control operation

Italian made Defendi burners

### Accessories

Regulator

LPG Conversion Kit

LPG Test Point

### Safety

Flame failure safety device

### Requirements

Rated Voltage:

220-240V, 50/60 Hz

Current requirements:

3A (Supplied with 10A plug)

### Burners

Triple ring wok burner

Semi rapid burners

Auxilliary burner

### Product dimensions

Packaged (w, d, h):

- 670 x 568 x 142mm

Physical (w, d, h):

- 600 x 510 x 40mm

Weight (Net/Gross):

- 8kg/8.75kg

### Cleaning

Single press s/steel hob

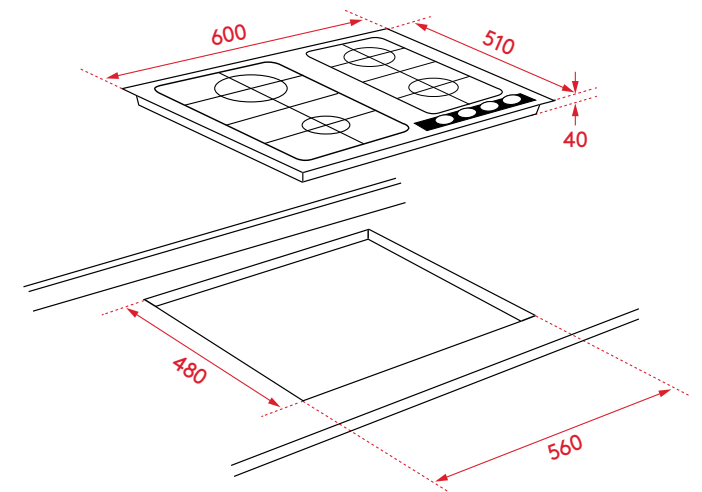
Removable control knobs

### Warranty

24 Months

### Installation (cut-out)

560 x 480mm



Product

Installation