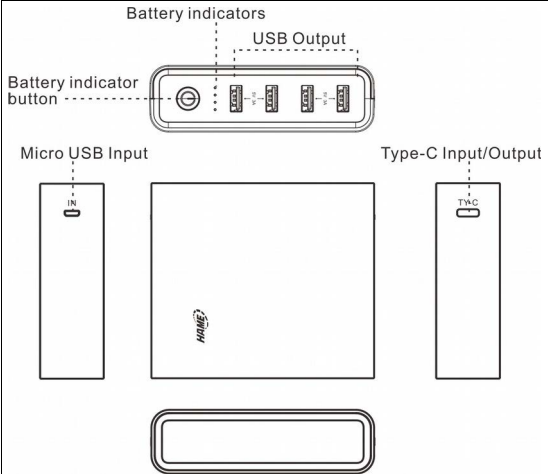


kogan

KAPWB20CPDA 20,000mAh Power Bank with Type-C Quick Start Guide

- Read all instructions before using the device and retain for reference.
- This device contains no user-serviceable parts. If it suffers any failure or damage, cease usage and contact Kogan Support after consulting the Troubleshooting section of this manual.

Overview

	<ul style="list-style-type: none">• Micro USB port: for charging power bank• x4 USB output: for charging connected device• Type-C input/output: can charge power bank or connected device• Battery indicators: LEDs show battery status• Battery indicator button: Press to check battery level
--	---

Specifications

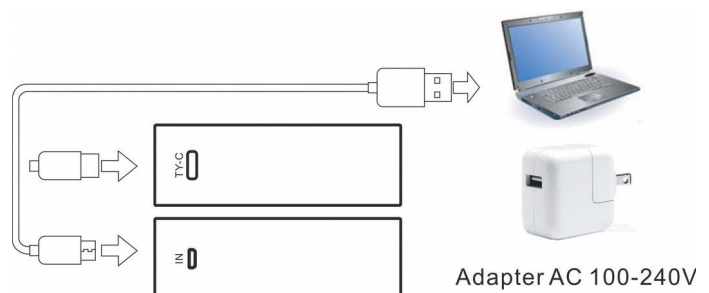
Input	Micro USB: 5V/2A USB-C: 5V/3A, 9V/3A, 12V/3A, 14.5V/2.A, 20V/1.8A
Output	USB-A (across 1+2 and 3+4): 5V/3A USB-C: 5V/3A, 9V/3A, 12V/3A, 14.5V/2.A, 20V/2A
Dimensions	180x90x32mm
Weight	420g
Capacity	20000mAh

Operation

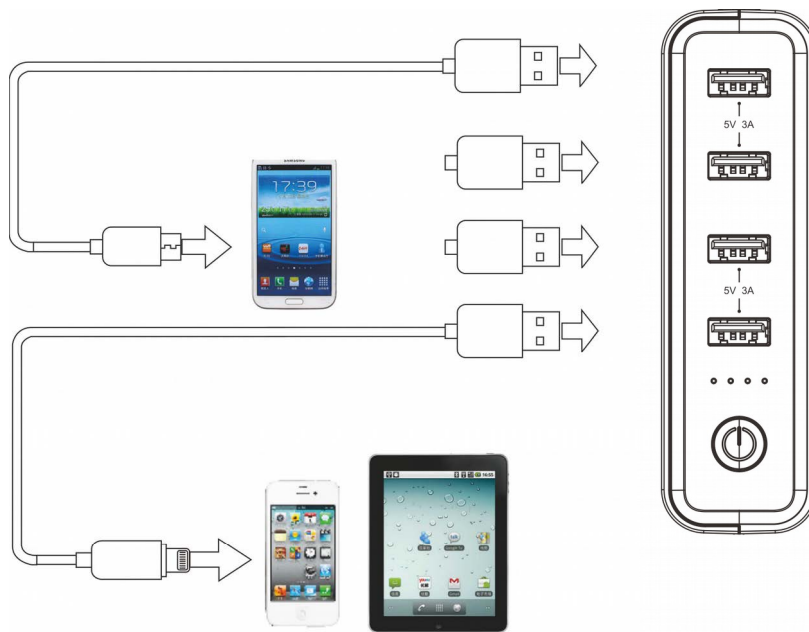
Charging power bank

The blue indicator will flicker while charging. When the power bank is fully charged, all indicators will turn white.

When the power bank is fully charged, disconnect the charging cable and adaptor carefully.



Charging connected devices



Notes

- Use a power adaptor with 5V output to charge the power bank. The power adaptor supplied with your mobile phone or other device is generally suitable. A 5V 2A output of a power adaptor or computer USB port is recommended.
- Use the supplied charging cable to ensure consistent results and reliability.

Troubleshooting

- Ensure the cable is connected securely at both ends and of the required specifications for the device.
- Inspect power bank and device for any physical damage or obstruction such as dust, dirt or other debris.

Device does not charge

- If the charge is less than 5%, it may not show signs of charging initially. Leave for several hours.
- Depending on device and the required charging specifications, this power bank (or other power supplies) may not supply power at the sufficient current to recharge a device very low on power and will only function as expected when it has a suitable minimum level. Attempt to charge with the original power adaptor or another compatible charger.

Power bank does not charge

- Ensure you are using the supplied cable or one recommended by Kogan.com.
- Ensure you are using the supplied power adaptor or a DC 5V 2A charger recommended by Kogan.com.

User manual is subject to change without notice. For the latest version of your user manual, please visit <https://www.kogan.com/usermanuals/>