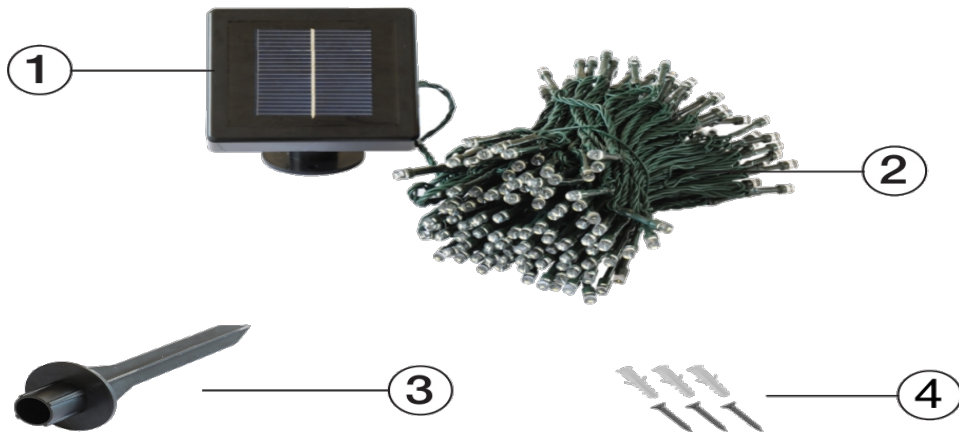


200 LED Solar Fairy Lights Quick Start Guide

Please read and follow all instructions before operating your solar light.
Save a copy of this guide for future reference.

Parts List

1. Solar Panel x 1
2. String Light x 1
3. Ground Stake x 1
4. Screws x 6

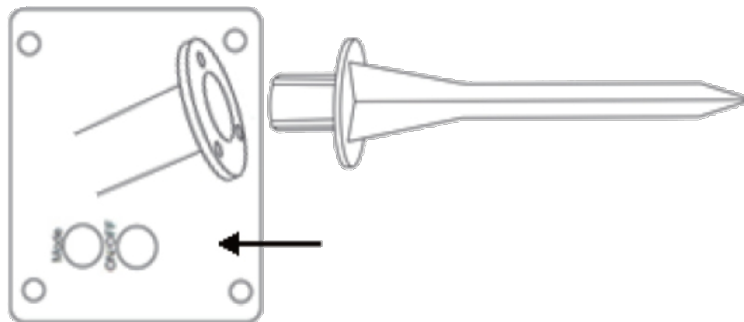


Specifications

LED Quantity:	200pcs
Solar Panel:	Polycrystalline, 2V, 200mAh
Rechargeable Battery:	Ni-MH, 1.2V, 2000mAh
Total Length:	21.9m
Space between LEDs:	10cm
Length of lead cord:	2m
Lighting Modes:	Constant/Blinking
Function:	Day/Night sensor

Installation

1. The electronic box containing the string light's solar panel MUST be installed in a well protected location where it can receive the maximum amount of sunlight during daytime hours. Any cover that shades the panel will affect its ability to absorb sunlight and decreases the brightness and duration of the LED lighting.
2. If possible, place the panel facing a northerly position (in the southern hemisphere) to ensure the solar panel absorbs maximum sunlight.
3. The electronic box can be positioned in the ground with the pointed stake. The stake should be pushed into the ground until it is firmly in place. If the ground is too hard, soak the area with water to soften it.
Once the stake is in place, attach the electronic box by screwing the stake connector into the bracket on the bottom of the electronic box. Ensure the solar panel is pointed towards the light. At least 8 hours of exposure to direct sunlight is required to illuminate the lights adequately.

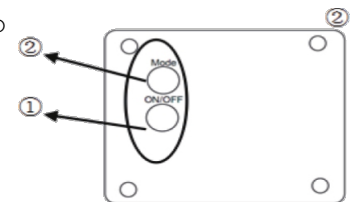


Operation

Charge the battery for at least 8 hours before first use. Turn the power switch to the ON position when first activating the lights. If the power switch is left in the ON position, the lights will illuminate and you can press the Mode button to swap between the different light functions.

NOTE: The battery will charge in both the ON and OFF positions.

The Ni-MH 2000 mAh battery included with this product is rechargeable and should last for 500 charges. Like all rechargeable batteries however, it will eventually need to be replaced. If your lights should begin to illuminate dimly or for shorter durations of time, you should replace the battery as follows.



1. Unscrew the 4 connecting screws and remove the bottom plate from the electronic box.
2. Remove the old battery.
3. Replace the battery with a new Ni-MH rechargeable battery of the same capacity.
4. Replace the bottom plate and screws.

Storage

During prolonged storage, follow the instructions below to avoid battery damage.

STEP 1: Turn the device OFF.

STEP 2: Remove the battery.

STEP 3: Ensure that once a month, the battery is fully recharged in direct sunlight to prevent battery decay.

IMPORTANT: This product contains a rechargeable Ni-MH 2000 mAh battery. When the battery life is exhausted, the battery must either be recycled or disposed of properly. DO NOT DISPOSE OF BATTERY IN A FIRE.

Note: The rechargeable battery must be allowed to fully recharge to operate properly. Partially charging the battery on a consistent basis will drastically reduce the life of the battery.