

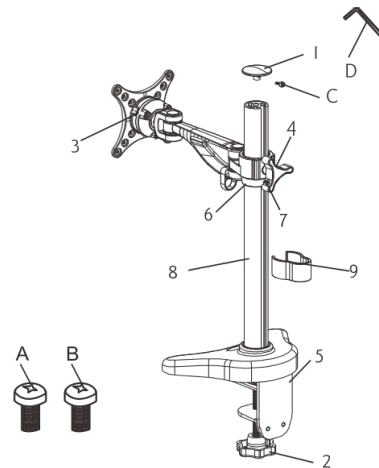
Kogan Monitor Mount Installation Guide



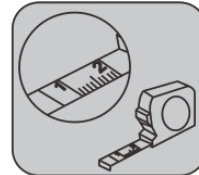
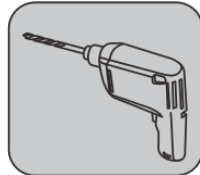
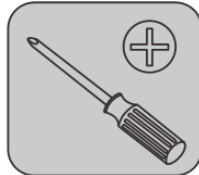
What is in the box

- 1 - Tube Cover
- 2 - Handle
- 3 - Monitor VESA Plate
- 4 - Knob
- 5 - Bottom Support
- 6 - Fixed Wreath
- 7 - M5 x 10mm Sunken Bolt
- 8 - Tube
- 9 - Cable Cover

- A - M4 x 12mm Bolt (4 pcs)
- B - M5 x 12mm Bolt (4 pcs)
- C - M4 x 10mm Bolt (1 pc)
- D - Allen Key (1 pc)

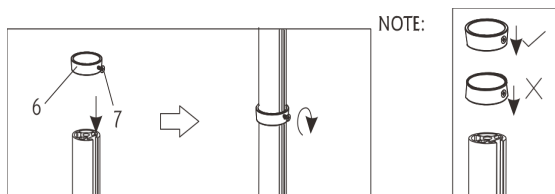


Not included but required

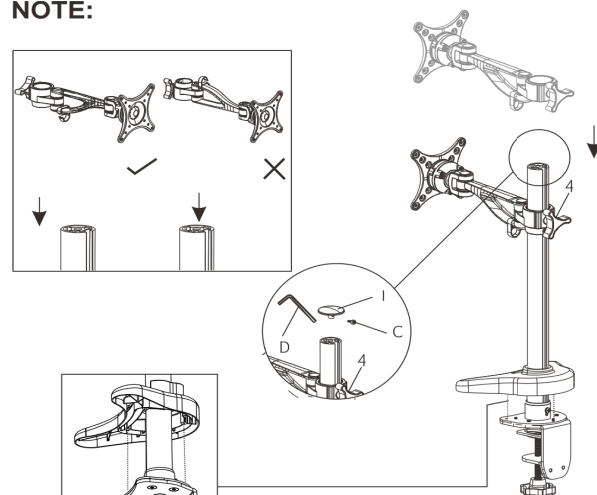


Step One

Install monitor VESA plate and fixed wreath

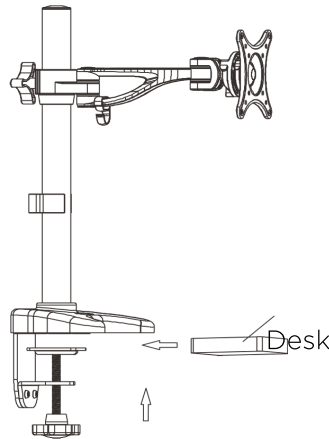


NOTE:



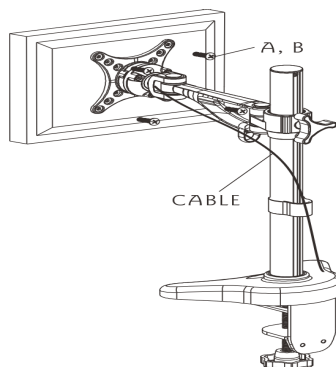
Step Two

Fitting the bottom support on the desk



Step Three

Attaching monitor VESA plate to screen



WARNINGS

This product contains small parts that may be a choking hazard if swallowed. Keep these items out of reach of children.

- Make sure these instructions are read and understood completely before attempting installation. If you are unsure of any part of this installation, please contact the Kogan customer support team.
- The desk or mounting surface must be capable of supporting the combined weight of the mount and the display, otherwise the structure must be reinforced.
- Safety gear and proper tools must be used. A minimum of two people are required for this installation. Failure to use safety gear can result in injuries or damage.
- Please check the joint parts every two months, making sure all screws are tight.

Note: this product is intended for indoor use only. Use of this product outdoors could lead to product failure, damage or personal injury.