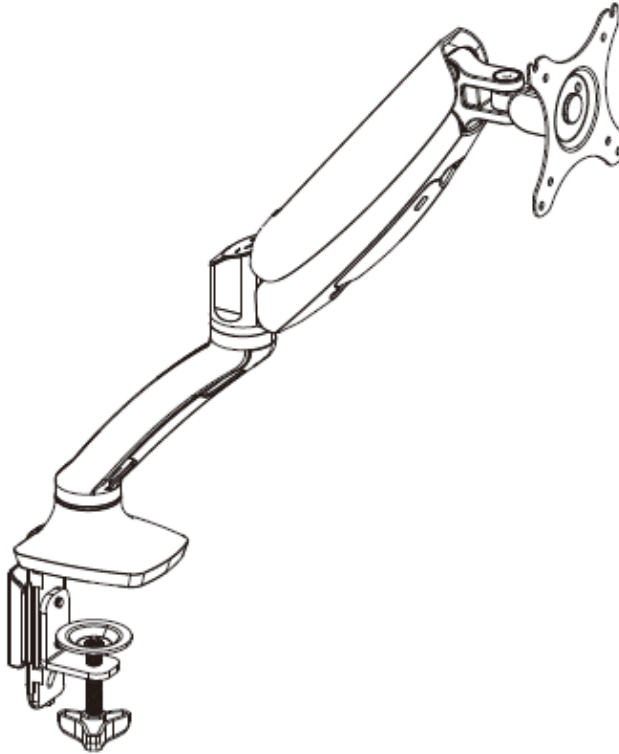


kogan

Kogan Monitor Mount (Black / White) KASMMPCGASD / KASMMPCGASW Quick Start Guide



Safety & Warnings.....	2
Installation.....	2
Overview.....	5

Safety & Warnings

Caution

This product contains small items that could be a choking hazard if swallowed. Keep these items away from your children.

- Make sure these instructions are read and completely understood before attempting installation. If you are unsure of any part of this installation, please contact a professional installer for assistance.
- The desk or mounting surface must be capable of supporting the combined weight of the mount and the display otherwise the structure must be reinforced.
- Please check joints every two mounts, making sure the screws are not loose.

This product was designed to be installed on a desk. Before installing, make sure the mount will support the combined load of the equipment and hardware. Never exceed the maximum load capacity 9kg or else it may result in product failure or personal injury.

Note: This product is intended for indoor use only. Use of this product outdoors could lead to product failure or personal injury.

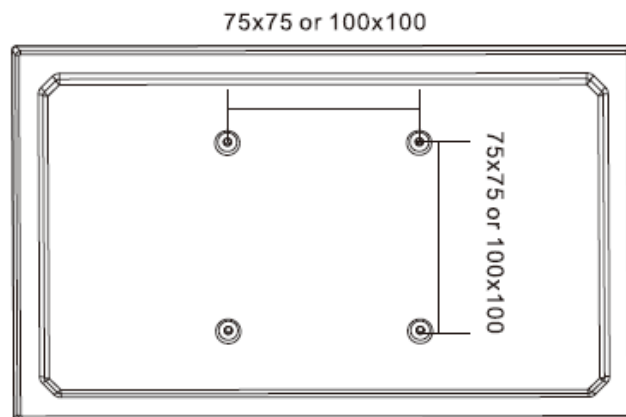
Warning

This product contains high pressure gas spring parts, please do not put into fire, high temperature or disassemble it, which will lead to unexpectable personal injury. To ensure the sealing performance of the gas spring, it is suggested to have complete adjustment to the upper arm (with spring) one time or several times every month.

Installation

Step 1

Preparations before installing monitor

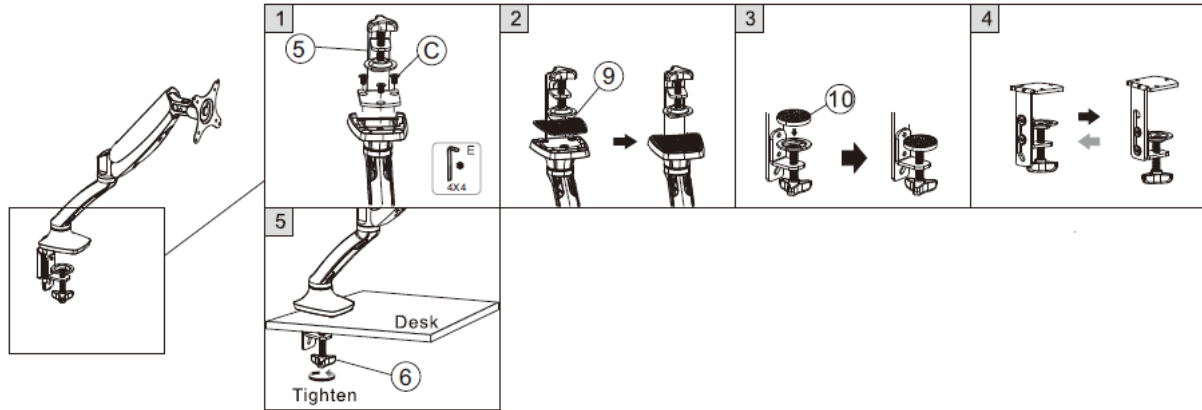


1. Make sure these are VESA holes 100x100mm or 75x75mm in the monitor. If not, the mount can't be installed.
2. Remove the original fixed base of monitor. Be careful not to scratch the screen.

Step 2-A

Option 1: Clamp

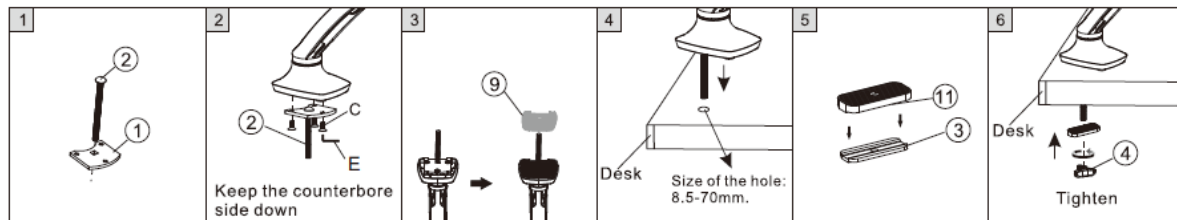
⚠ For table thickness: 20-100mm. Select right holes according to the thickness of desk



Step 2-B

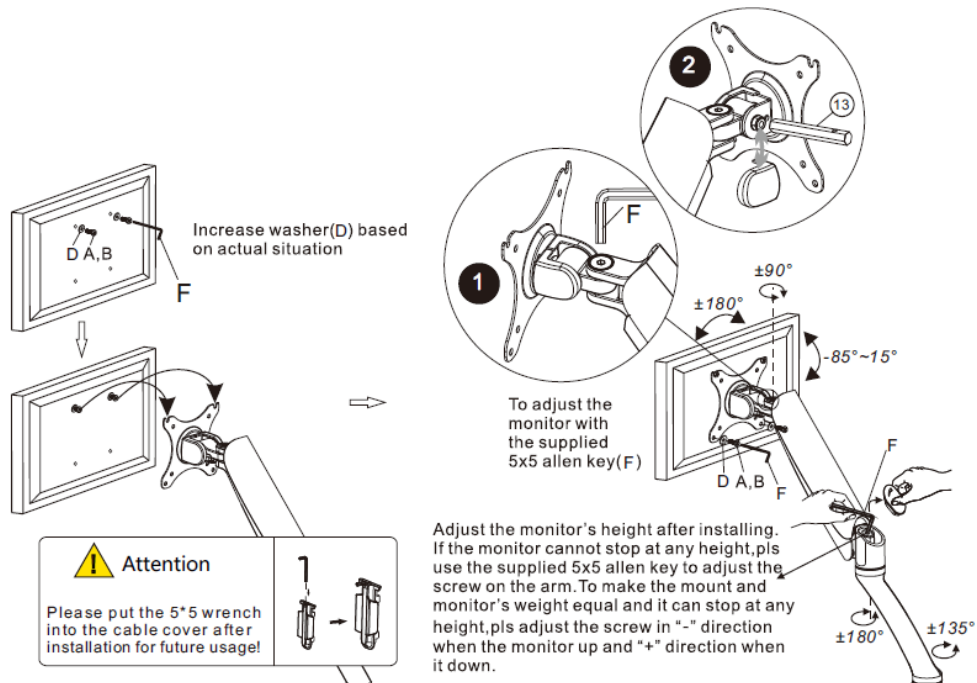
Option 2: Grommet

⚠ For table thickness: 25-90mm.



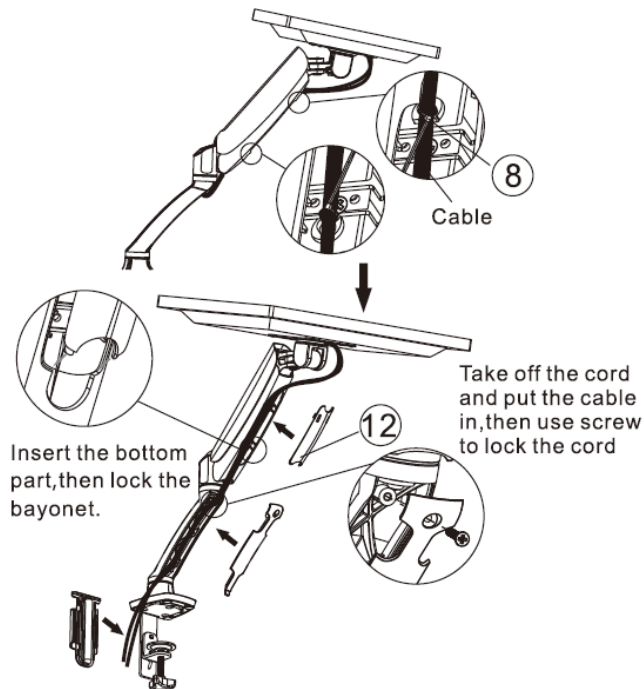
Step 3

Attaching the monitor to the plate

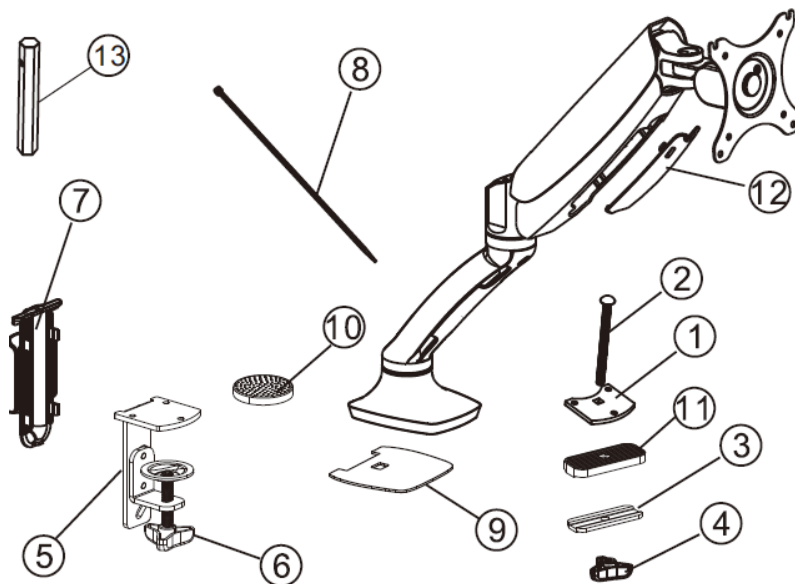


Step4







Using cord management



Overview



1	Bottom support 1	1PCS	1
2	Screw	1PCS	
3	Washer	1PCS	
4	Butterfly knob	1PCS	
5	Bottom support	1PCS	2
6	Knob	1PCS	
7	Cable cover	1PCS	3
8	Nylon ties	6PCS	
9	Anti-slip rubber 1	1PCS	
10	Anti-slip rubber 2	1PCS	
11	Anti-slip rubber 3	1PCS	
12	Cable cover 2	1PCS	
13	M6 box wrench	1PCS	

					
M4X12MM A (4PCS)	M5X12MM B (4PCS)	M6X12MM C (3PCS)	6.5 X 13 X 1.8 D (8PCS)	4X4 Allen key E (1PCS)	5X5 Allen key F (1PCS)

User manual is subject to change without notice. For the latest version of your user manual, please visit <https://www.kogan.com/usermanuals/>