



# Stainless Steel Smart Kettle

## KASSAMTKTLA

### Quick Start Guide

## Table of Contents

Safety & Warnings.....	1
Overview.....	2
Operation.....	3
Functions.....	3
Cleaning & Care.....	4
Mineral Deposits.....	4
Kettle Exterior.....	4
Filter.....	4
Storage.....	4

## Safety & Warnings

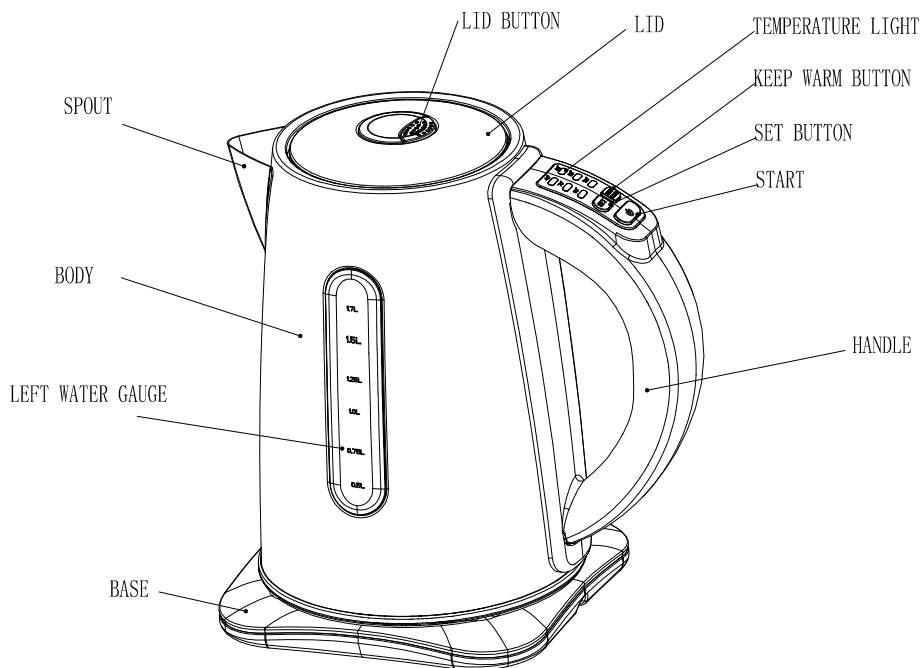
Handle with care and inspect regularly to ensure product is in good working order.

If this product, power supply cord or plug shows any signs of damage: stop use, unplug the product and contact [Kogan.com](http://Kogan.com) support.

- Read all instructions before using the appliance and retain for reference.
- This appliance is not intended for use by persons (including children) with reduced physical, sensory or mental capabilities, or lack of experience and knowledge, unless they have been given supervision or instruction concerning use of the appliance by a person responsible for their safety.
- This appliance is designed for consumer use: follow directions and use only as described.
- Do not use with an extension cord unless necessary, and if so, ensure it is suitably rated and it is handled safely as is the product's own power cord:
- Do not allow the power cord to be exposed to water, heat, direct sunlight or overhang where it can be pulled or otherwise be damaged or pose a hazard.
- Do not operate the appliance while empty to avoid damaging it. If this occurs, the boil-dry protection will automatically switch it off. If this should occur, allow the kettle to cool before filling with cold water and re-boiling.
- Unplug from the outlet when not in use.
- Do not place on or near a hot gas or electric burner or in a heated oven.
- Children should be supervised to ensure that they do not play with the appliance.
- Use the kettle only on a firm and flat surface out of reach of children.
- Always take care to pour boiling water slowly and carefully without tipping the kettle too fast.
- Be careful when opening the lid for refilling when the kettle is hot.
- Do not touch any hot surfaces. Use the handle or the button.
- Extreme caution must be used when moving an appliance containing hot water.

- While the kettle is boiling or has just been boiled, take care to avoid steam.
- Always ensure the lid is closed and do not lift it while the water is boiling. Scalding may occur if the lid is removed during the brewing cycles.
- If the supply cord is damaged, it must be replaced by the manufacturer or its service agent or a similarly qualified person in order to avoid a hazard.
- Only use the kettle with the stand provided.
- If the kettle is overfilled, boiling water may be ejected.
- This appliance contains no user-serviceable parts. If it suffers any failure or damage, cease usage and contact Kogan Support after consulting the Troubleshooting section of this manual.
- This appliance is intended to be used in household and similar applications such as:
  - Staff kitchen areas in shops, offices and other working environments;
  - Farm houses;
  - By clients in hotels, motels and other residential type environments;
  - Bed and breakfast-type environments.

## Overview



- Power: 220-240V ~ 50-60Hz 1850-2200W

# Operation

Note: Before first use, boil and discard water 1-2 times to clean.

1. To fill water into the kettle, remove it from the power base and open the lid by press down the lid button, fill with the desired amount of water to the kettle. Always fill the kettle between the minimum (0.5L) and maximum (1.7L) marks. Too little water will result in the kettle switching off before the water has boiled.

**NOTE:** Do not fill the water over the maximum level, as water may spill out of the spout when boiling. Ensure that the lid is firmly in place before connecting the power cord to the outlet.

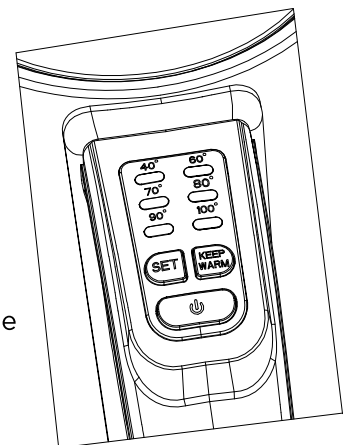
2. Close the lid and position the kettle on the power base. Ensure the kettle is in complete contact with the power base.
3. Set a function as described:

## Functions

Press START to begin boiling or to turn off during operation.

Press SET to cycle through temperatures. The temperature indicator will illuminate red. The water light will change to reflect the current temperature: red (40C°), green (60C°), blue (70C°), purple (80C°), cyan (90C°), yellow (100C°).

Press KEEP WARM when kettle is heating to maintain a temperature lower than set (e.g. 90°C if set to reach 100°C). After 2 hours, the kettle will turn off automatically, or it can be turned off with the START button. Press KEEP WARM again to cancel.



The interval time between two button inputs is 3 seconds. If there is no operation within 3 seconds, the kettle will default to the temperature set last time.

# Cleaning & Care

- Always disconnect the appliance from the power outlet and leave it to cool down completely before cleaning.
- Never immerse the kettle or cord in water, or allow moisture to contact with these parts.

## Mineral Deposits

Mineral deposits in tap water may cause the kettle interior to discolor. To remove this buildup, use a non-toxic descaler. Alternatively:

1. Fill the kettle with 3 cups of white vinegar and the remainder of water and be allowed to stand overnight. **Do not boil.**
2. Empty the solution from the kettle. Any stains remaining inside the spout can be removed by rubbing with a damp cloth, fill the kettle with clean water, bring to boil and then discard the water. Repeat and the kettle will then be ready to use.

## Kettle Exterior

- Wipe the external housing with a mild and damp cloth or cleaner.

**CAUTION:** Do not use chemical, steel, wooden or abrasive cleaners to clean the outside of the kettle.

## Filter

Remember to clean the filter with a damp cloth at regular intervals.

## Storage

When not in use or storage, the power cord may be wound around the cord storage under the base of kettle.

User manual is subject to change without notice. For the latest version of your user manual, please visit <https://www.kogan.com/usermanuals/>