

kogan

SuperScrub 360

KASUSCR360A

Table of Contents

Safety & Warnings.....	1
Product Overview.....	2
Handle Assembly.....	2
Brush Head Assembly.....	3
Product Operation.....	3
Cleaning.....	4
Charging.....	4

Safety & Warnings

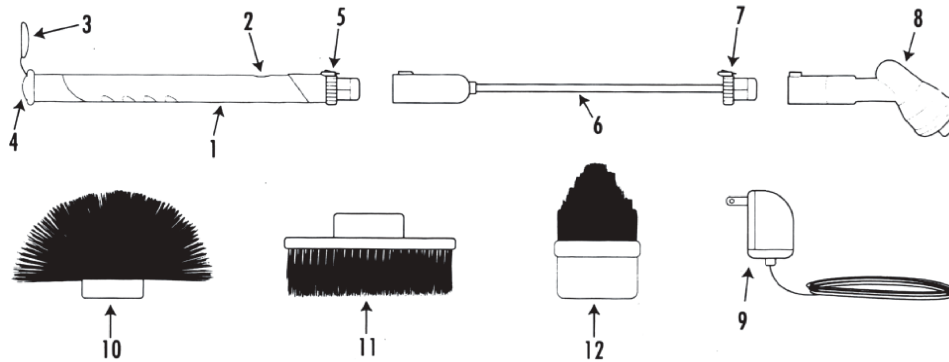
- This product is not a toy. Store out of reach of children and ensure close supervision when use around children.
- To avoid the risk of electric shock, do not charge the battery if it is wet or shows signs of corrosion.
- This product is designed for indoor use only.
- Use of an extension cord is not recommended.
- Do not attempt to use this charger with any other product.
- Do not attempt to charge this product with any other charger.
- If the charging cord is damaged, it must be replaced by an authorised repair technician as instructed by the Kogan Support team.
- Ensure the charging cord is not exposed to heat or sharp edges.
- Unplug the charger when not in use and before cleaning.
- Do not operate adapter if it been damaged in other way. Do not disassemble the adapter for any reason.
- For best results, charge the battery within the temperature range of 5°C and 40°C.
- If any abnormal noise, smell, smoke or any other failure or breakage is found during operation, turn off the switch and unplug it.
- Only charge the unit when it is in the OFF position.
- This appliance is only for household use, not for commercial or industrial use.
- Only change the scrubber heads when the units are in the OFF position.
- Do not use this unit when the protective charging cover is not in place.
- Do not submerge the handle in water or other liquids.
- This product uses a Nickel-Cadmium (Ni-cad) rechargeable battery. This cannot be incinerated or composted and must be recycled appropriately when the product has reached the end of its useful lifespan.
- If you experience any fault with the appliance, contact the Kogan Support team.

Attention

Please handle this product with care and inspect it regularly to ensure it is in good working order.

If the product, power supply cord or plug shows any signs of damage: stop use, unplug and contact Kogan.com support.

Product Overview



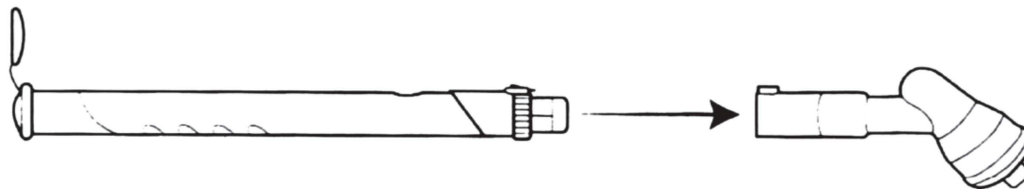
- 1. Main Handle
- 2. ON/OFF Switch
- 3. Charging Cover
- 4. Charging Port
- 5. Bottom Extension Release Button
- 6. Extension Handle
- 7. Top Extension Release Button
- 8. Scrubber Head Assembly
- 9. Charging Adapter
- 10. Dome Brush Head
- 11. Flat Brush Head
- 12. Corner Brush

Handle Assembly

Before assembling this product, make sure the unit is set to OFF.

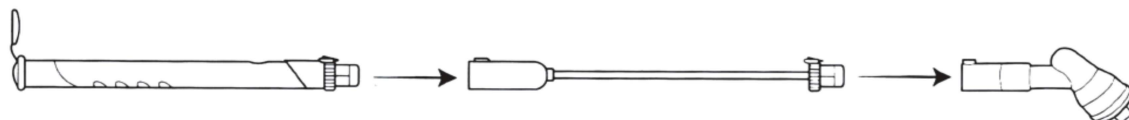
Assembly without the Extension Handle.

- Connect the main handle to the Scrubber Head Assembly until a click is heard.



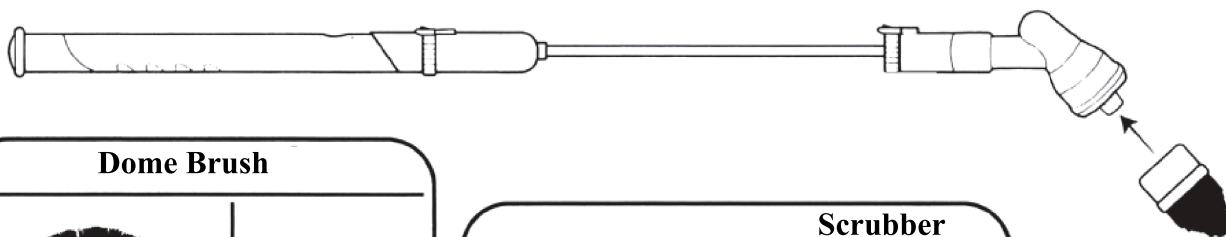
Assembly with the Extension Handle.

- Connect the main handle to the Scrubber Head Assembly until a click is heard.
- Connect the Scrubber Head Assembly to the extension until a click is heard.




Brush Head Assembly

Holding the Scrubber Head Assembly with one hand, press the selected scrubber head on until secured.

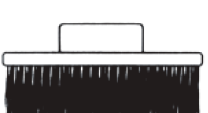


Dome Brush




All-purpose cleaning brush.

Flat Brush



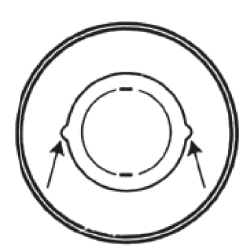
Suitable for large jobs with flat surface area.

Corner Brush

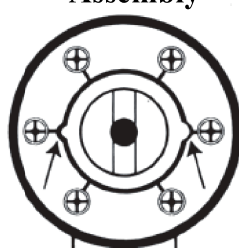


Great for cleaning grout, corners and tight places.

Brush Head





Scrubber Head Assembly



To assemble, line up the openings identified above with the matching parts on the Scrubber Head Assembly.

Product Operation

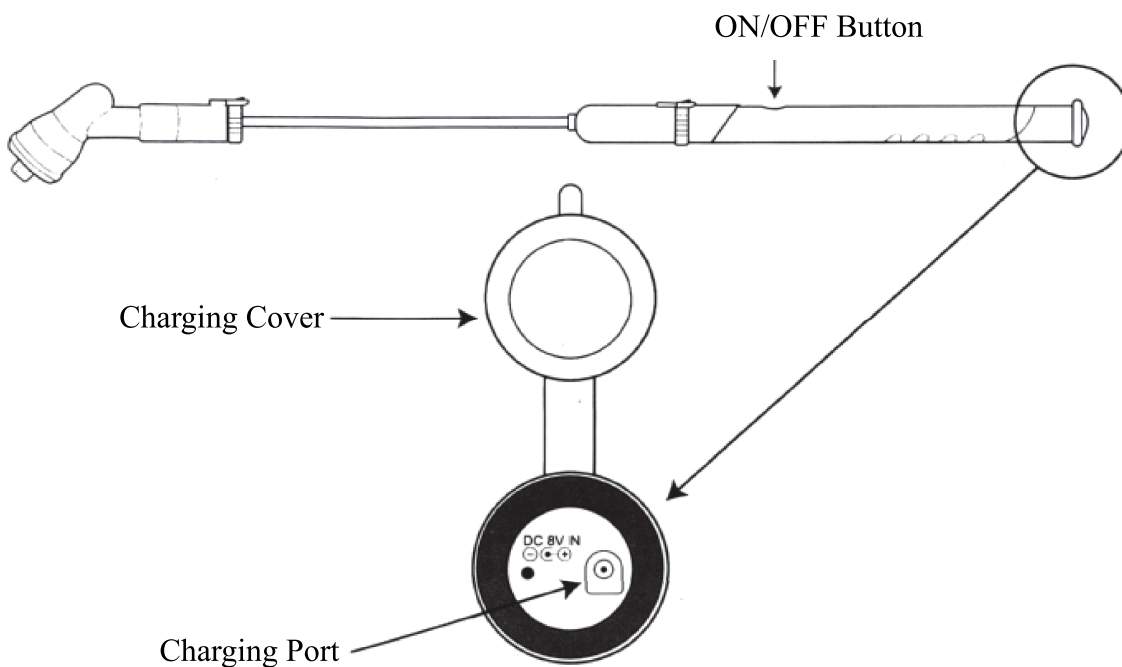
<p>CAUTION:</p>	<p>Before turning on the brush, make sure to use proper eye wear and gloves to avoid eye and skin contact from splatter.</p>	 
------------------------	--	---

- Apply water and cleaning agent to the surface and/or head of the Kogan SuperScrub 360° Brush.
- Turn the button to the ON position while the scrubber head is in contact with the surface. Hold the unit by the handle and gently press the scrubbing head to the surface to be cleaned.
- Do not press too hard as the product has been designed to do all the work.
- Operate the Kogan SuperScrub 360° only when it is touching the area being cleaned in order to limit spraying of water.

Cleaning

- Clean all surfaces of the unit with a soft cloth.
- Only use a mild detergent to clean the unit. Do not use alcohol-based or abrasive cleaners.
- Aside from the unit's brush head, do not use water.
- Separate all sections of the unit and allow it to air dry.

Charging



1. Set the ON/OFF button to OFF.
2. Insert the Charging Adapter into the Charging Port located at the bottom of the unit.
3. A RED indicator light means it is charging.
4. Charge the unit 20 hours for first-time use.
5. Subsequent charges will be only 8 hours.
6. Close the Charging Cover once charging is complete.
7. Do not separate the charging cover from the device.