

kogan

23L Thermoelectric Wine Chiller KATHM8WNCHL Quick Start Guide

Table of Contents

Safety Instructions.....	1
Technical Data.....	2
Product Layout.....	2
Installation Instructions.....	2
Operating your Wine Cooler.....	3
How to set the temperature.....	3
Care & Maintenance.....	3
Cleaning your wine cooler.....	3
Moving your wine cooler.....	4
Troubleshooting.....	4

Safety Instructions

Please read carefully and follow all safety rules and instructions.

- **WARNING:** risk of child entrapment.
Junked or abandoned appliances are dangerous, even if they “just sit in the garage a few days.”
- **Before you throw away your old wine cooler:** take the door off, leaving the shelves in place so that children may not climb inside easily.
- Never allow children to operate, play with or crawl inside the appliance.
- Never clean appliance parts with flammable fluids. The fumes can create a fire hazard or explosion.
- Do not store or use gasoline or any other flammable vapours or liquids in the vicinity of this or any other appliance. The fumes can create a fire hazard or explosion.
- Does not store food in the wine cooler, as interior temperature may not get cool enough to prevent spoilage.
- This appliance is not intended for use by persons (including children) with reduced physical sensory or mental capabilities, or lack of experience and knowledge, unless they have been given supervision or instruction concerning use of the appliance by a person responsible for their safety.
- Children should be supervised to ensure that they do not play with the appliance.

WARNING: please do not use where children can touch the unit, nor let children use the unit by themselves.

Attention

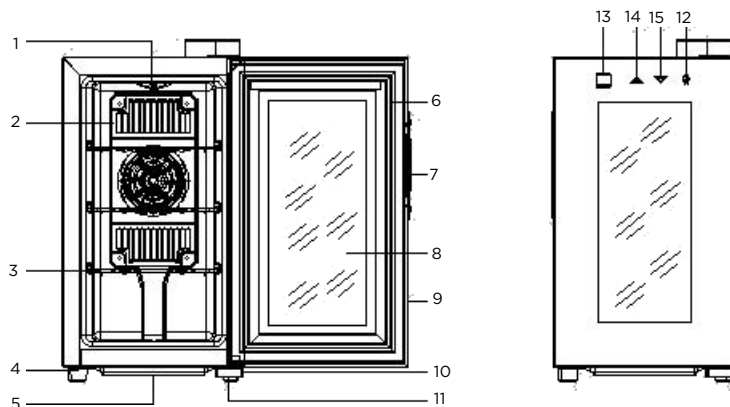
Please handle this product with care and inspect it regularly to ensure it is in good working order.

If the product, power supply cord or plug shows any signs of damage: stop use, unplug and contact Kogan.com support.

Technical Data

Model no.	KWS-8C
Capacity	23L
Voltage	220-240V/50Hz
Current	1A(25°C)
Protection class	I
Climate class	SN;N
Input power	70W
Power Consumption(KW.h/24h)	0.254(18°C)
Max working temperature	32°C
Max Temperature Difference	>18°C
Temperature Control Range	7-18°C
Net weight	9.3kg
Gross weight	10.5kg
Shape size(L×H×D)	25.4 X 46.3 X 51.5 CM
Packing size(L×H×D)	29.5 X 50 X 56CM

Product Layout



1. Light	2. Cold fan mask	3. Shelf
4. Foot	5. Water tray	6. Door seal
7. Recessed handle	8. Glass door	9. Door frame
10. Lower hinge	11. Lower hinge cover	12. Light switch
13. Temperature display window	14. Temperature up key	15. Temperature down key

Installation Instructions

- Remove the exterior and interior packing
- Before connecting the appliance to the power source, let it stand upright for approximately 2 hours. This will reduce the possibility of a malfunction in the cooling system from handling during transportation.
- Put on the space holder inside the manual bag, it helps to keep space between machine and the wall to make it proper air ventilation
- Clean the interior surface with lukewarm water using a soft cloth.
- Place your appliance on a floor that is strong enough to support the appliance when it is fully loaded. To level your appliance, adjust the front legs at the bottom of the appliance.
- Install away from direct sunlight and sources of heat (stove, heater, radiator, etc.). Direct sunlight may affect the acrylic coating and heat sources may increase electrical consumption. Extreme cold or hot ambient temperatures may also cause the appliances not to perform properly.
- Not designed for placement in a basement.
- The appliance is for indoor use only.

Operating your Wine Cooler

It is recommended that you install the wine cooler in a location where the ambient temperature is between 10-26°C. If the ambient temperature is above or below recommended temperatures, the performance of the unit may be affected. For example, placing in extreme cold or hot conditions may cause interior temperature to fluctuate. The range of 7-18°C may not be reached. The temperature may fluctuate depending on whether or not the interior light is on or off or whether the bottles are located on the upper, middle or lower section.

How to set the temperature

There are three touch-buttons on the control panel

- “▲” and “▼” increases or decreases the set temperature by 1°C (temp range is 7-18°C).
- “☹” button turns on or off the interior light.

Note:

- This product is designed for maximum cooling of 18°C below ambient temperature.
- When the ambient temperature around 25°C or less, unit can maintain a temperature range between 7-18°C.

Care & Maintenance

Cleaning your wine cooler

- Unplug the wine cooler and remove the bottles.
- Wash the inside with a warm water and baking soda solution. The solution should be about 2 tablespoons of baking soda to one litre of water.
- The outside of the wine cooler should be cleaned with a mild detergent and warm water.
- Draw out the water box at the bottom, and wash.

Moving your wine cooler

- Remove all bottles.
- Securely tape down all loose items inside your wine cooler.
- Turn the levelling legs up to the base to avoid damage.
- Tape the door.
- Be sure the wine refrigerator stays in the upright position during transportation.

Troubleshooting

Issue	Solution
Wine cooler isn't operating.	Check that the plug is plugged in securely and that the circuit breaker hasn't been tripped in your meter box.
Wine cooler is not cold enough.	Check the temperature control setting. External environment may require a higher setting. The door is being opened too often. The door is not closed completely. The door seal does not seal properly. The wine cooler does not have the correct clearance around it.
The light does not work.	Contact the Kogan customer support team.
The cooler is vibrating during use.	Check to assure that the wine cooler is level.
The wine cooler seems to make too much noise.	The wine cooler is not level. Check the fan.
The door will not close properly.	The wine cooler is not level. The doors were reversed and not properly installed. The seal is weak. The shelves are out of position.
LED does not display.	Main control board does not work. There is some problem with the plug. Contact the Kogan customer support team.
LED display error.	Weak quality of display. Contact the Kogan customer support team.
Buttons are not functional.	Temperature controller panel is damaged.
Door does not close tightly	Check the door seal if it is in proper position. Check if the wine bottles are placed in their correct positions. Weak magnetic door seal.