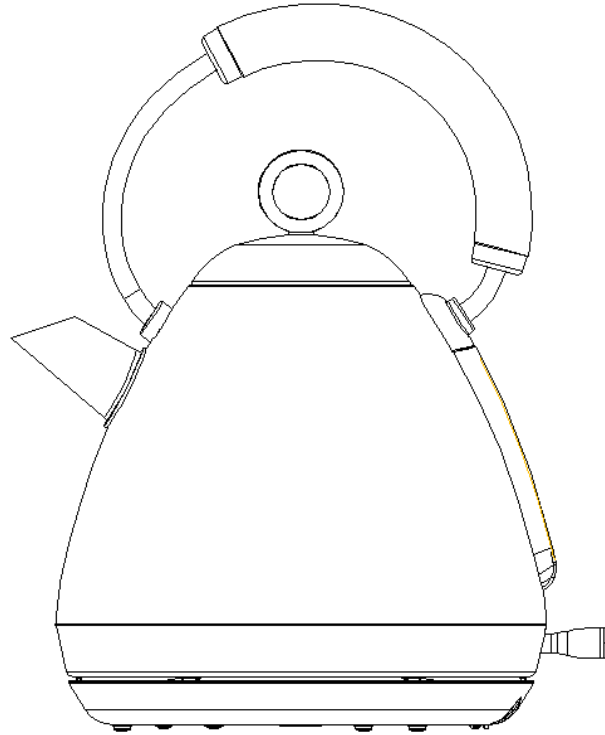


kügan

2200W Vulkan Cordless Kettle KAVLKKTLBLA Quick Start Guide



Read this booklet thoroughly before using and save it for future reference

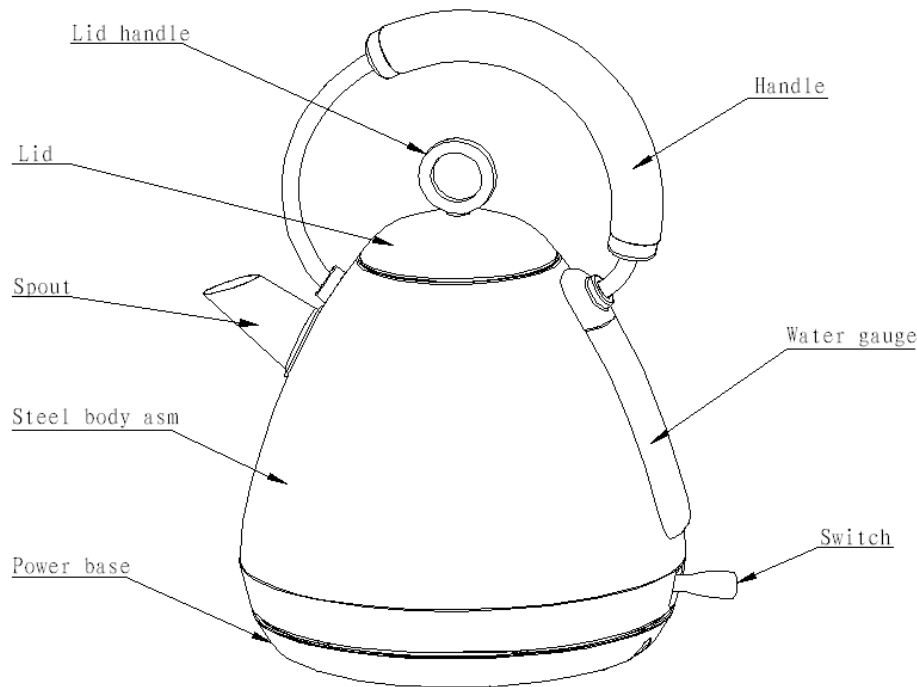
Table of Contents

Important Safety Instructions.....	2
Overview	3
Cleaning and Maintenance	4
Removal of Mineral Deposits.....	4
Environment Friendly Disposal	4

Important Safety Instructions

1. Read all instructions before using.
2. Before connecting the kettle to the power supply, check that the voltage indicated on the appliance (underside the kettle & base) corresponds with the voltage in your home. If this is not the case, contact your dealer and stop using the kettle.
3. Do not let the cord hang over the edge of a table or counter or touch a hot surface.
4. Do not place on or near a hot gas or electric burner or in a heated oven.
5. Do not operate the appliance without anything in it to avoid damaging the heat elements.
6. Ensure that the kettle is used on a firm and flat surface out of reach of children, this will prevent the kettle from overturning and avoid damage or injury.
7. To protect against a fire, electric shock or personal injury, do not immerse cord, electric plugs or kettle in water or other liquids.
8. While water is boiling, or just after the water has been boiled, avoid contacting with steam from the spout.
9. Always take care to pour boiling water slowly and carefully without tipping the kettle too fast.
10. Be careful of refilling when the kettle is hot.
11. This appliance is not intended for use by persons (including children) with reduced physical, sensory or mental capabilities, or lack of experience and knowledge, unless they have been given supervision or instruction concerning use of the appliance by a person responsible for their safety.
12. Children should be supervised to ensure that they do not play with the appliance.
13. Do not touch the hot surface. Use the handle or the button.
14. The attached base cannot be used for other than intended use
15. Extreme caution must be used when moving an appliance containing hot water.
16. The appliance is not a toy. Do not let the children play it.
17. The kettle is for household use only. Do not use outdoors.
18. The use of accessories, which are not recommended by the appliance manufacturer, may result in fire, electric shock or personal injury.
19. Unplug the kettle from the outlet when not in use and before cleaning. Allow the kettle to cool before putting on or taking off parts, and before cleaning the appliance.
20. To disconnect, turn any control to "off" then remove plug from wall outlet.
21. If the supply cord is damaged, it must be replaced by the manufacturer or its service agent or a similarly qualified person in order to avoid a hazard.
22. Do not use the appliance for other than intended use.
23. The kettle can only use with the stand provided.
24. If the kettle is overfilled, boiling water may spill out.
25. Always ensure the lid is closed and do not lift it while the water is boiling. Scalding may occur if the lid is removed during the brewing cycles.

Overview



Before Using Your Kettle

If you are using the kettle for the first time, it is recommended that you should clean your kettle before use by boiling the Max capacity of water and then discarding the water twice. Wipe the surface with a damp cloth.

NOTE: The max capacity of kettle is 1.7L.

Using Your Electric Kettle

1. Place the kettle on the flat surface.
2. To fill the kettle, remove it from the power base and remove the lid handle to open the lid, then fill the kettle with the desired amount of water and close the lid. The water level must be within the Min and the Max level. Too little water will cause the kettle switching off before the water has boiled.

NOTE: Do not fill the water over the maximum level, as water may spill out of the spout when boiling. Ensure that the lid is firmly in place before plugging the power outlet.

3. Position the kettle on the power base.
4. Connect the plug into a power outlet. Press the power switch and its indicator will light up, and then the kettle starts to boil the water. The kettle will switch off automatically and the indicator will turn off once the water has boiled. If necessary, wait 30 seconds before pressing the power switch again to re-boil the water. You may shut off the power by directly lifting the kettle from the power base at any moment to stop the boiling process.

NOTE: Ensure that switch is free of obstructions and the lid is firmly closed, the kettle will not turn off if the switch is constrained or if the lid is opening.

5. Lift the kettle from the power base and then pour the water.
NOTE: Operate carefully when pouring the water from your kettle as boiling water will burn skin. Don't open the lid while the water in the kettle is hot.
6. The kettle will not re-boil until the switch is pressed again. The kettle may be stored on the power base when not in use.
NOTE: Always disconnect the power supply when not use.

Boil-Dry Protection

Should you accidentally let the kettle operate without water; the function of boil-dry protection will automatically switch off the power. If this occurs, allow the kettle to cool prior to filling with cold water before re-boiling.

Cleaning and Maintenance

Always disconnect the appliance from the power outlet and cool it down completely before cleaning.

1. Never immerse the kettle, power cord or power base in water, or allow moisture to contact with these parts.
2. Wipe the appearance of body with a damp cloth or cleaner, never use a poisonous cleaner.
CAUTION: Do not use chemical, steel, wooden or abrasive cleaners to clean the outside of the kettle to prevent the gloss loss.
3. When not use or storage, the power cord may be wound under the power base.

Removal of Mineral Deposits

Your kettle should be periodically descaled as the mineral deposits in tap water may form scale on the bottom of kettle so as to cause the operation less efficiency. You can use the commercially available descaler and follow the instructions on the package of descaler. Alternatively, you may follow below instructions using the white vinegar.

1. Fill the kettle with 3 cups of white vinegar, then adding water to the amount so as to cover the bottom of kettle completely. Leave the solution in the kettle overnight.
2. Then discard the mixture in the kettle, then filling the kettle with clean water to the maximum position, boiling and then discard the water. Repeat several times until the odour of vinegar has been flushes away. Any stains remaining inside the spout can be removed by rubbing with a damp cloth.