



8KG FRONT LOAD INVERTER WASHING MACHINE

SERIES 9

KAWFLWASM8A, KAWFLWASM8B

SAFETY & WARNINGS

- To avoid hurting people or damaging property, you must read and adhere to this manual before using the product. Failure to adhere to the manual could cause serious harm or death.
- Ensure you have read, and fully understand the contents of this manual before operating your machine.
- Dismantling, repair or alterations should only be carried out by a professional technician. Unauthorised repairs may result in electric shock, fire or injury.
- The washer should only be connected to power with a dry plug and dry hands. Otherwise, an electric shock may occur.
- Damaged or loose wires or plugs should not be used, turn off the power, cease use immediately, and contact Kogan.com support.
- Do not damage the power cable. Do not damage, alter, forcibly bend, pull, twist, or mishandle the cable. Do not place heavy items on the cable or plug.
- The machine should not come into contact with water during maintenance or repair.
- Do not put gasoline, benzene, alcohol, thinners, or fabrics with stains from these substances, into or near to the washing machine, as a fire or explosion may result.
- This washing machine is equipped with a dual-electrode grounding plug and should be used with an appropriate socket. The socket should be properly insulated.
- Use a single socket only, not an adapter, and ensure that the voltage and current matches the plug marked specifications. Sharing the same socket with other electric appliances may cause a fire or trip the power.
- Thoroughly wipe the power plug when the dirt has adhered to the prong or around the base of the prong. Do not use water to clean the prongs.
- The washing machine should not be installed in a humid place or in places exposed to wind and rain.
- The washing machine should never be used in close proximity with candles, mosquito-repellent, incense, cigarettes or other sources of open-flame.
- Do not operate the machine when there is a gas leak.
- Keep children away from the washer and do not place boxes or shelves next to the washing machine.
- This appliance is not intended for use by persons (including children) with reduced physical, sensory or mental capabilities, or lack of experience and knowledge unless they have been given supervision or instruction concerning use of the appliance by a person responsible for their safety.
- The glass door becomes hot during high-temperature washing. Do not touch the door when the machine is on, especially children.
- If you need to open the door during high-temperature washing, wait until the temperature drops to a safe level, and the door will unlock automatically.
- Packing material may be dangerous to kids, please keep all packing material (plastic bags, foam etc) far away from kids.

- Do not pull the wire when unplugging the device from the socket, grip the plug.
- Please unplug the unit during long periods of inactivity, such as going on holidays.
- Contact Kogan.com if the machine requires maintenance or repairs.
- If the power cord or supply cord is damaged, the manufacturer or its service agent or similarly qualified person must replace it in order to avoid a hazard.
- Water temperatures of above 50 degrees C should not be used for washing.
- Do not wash, rinse or spin waterproof fabric or cloth, such as sleeping bags, raincoats, ski covers, utilities, bicycles, cars and motors. Doing so may cause abnormal vibration and damage to the washing machine, wall, floor and clothes.
- Do not stand on or put weight on the top of the unit.
- Two people are required when moving or transporting the machine.
- Keep hands and feet away from the bottom of the washing machine when it is motion.
- Check the water inlet hose connection by turning on the water before washing.
- The new hose-sets supplied with the appliance must be used, old hose-sets should not be reused.
- Do not install the washer over carpeted flooring, the carpet may block the ventilation openings on the bottom of the unit. Do not block the ventilation openings on the bottom of the washer by carpeting when the washer is installed on a carpeted floor.
- The water inlet hose should be tightly screwed to the unit.
- After extended periods of use, the device may experience leakage caused by the union nut loosening. Every few months, check it and tighten it again if necessary.
- Please turn off the water tap when not using the unit, to prevent damages caused by water leakage.

COMPONENTS



Washing Machine (x1)



Water Inlet Hose



Transit Bolt Covers (x4)

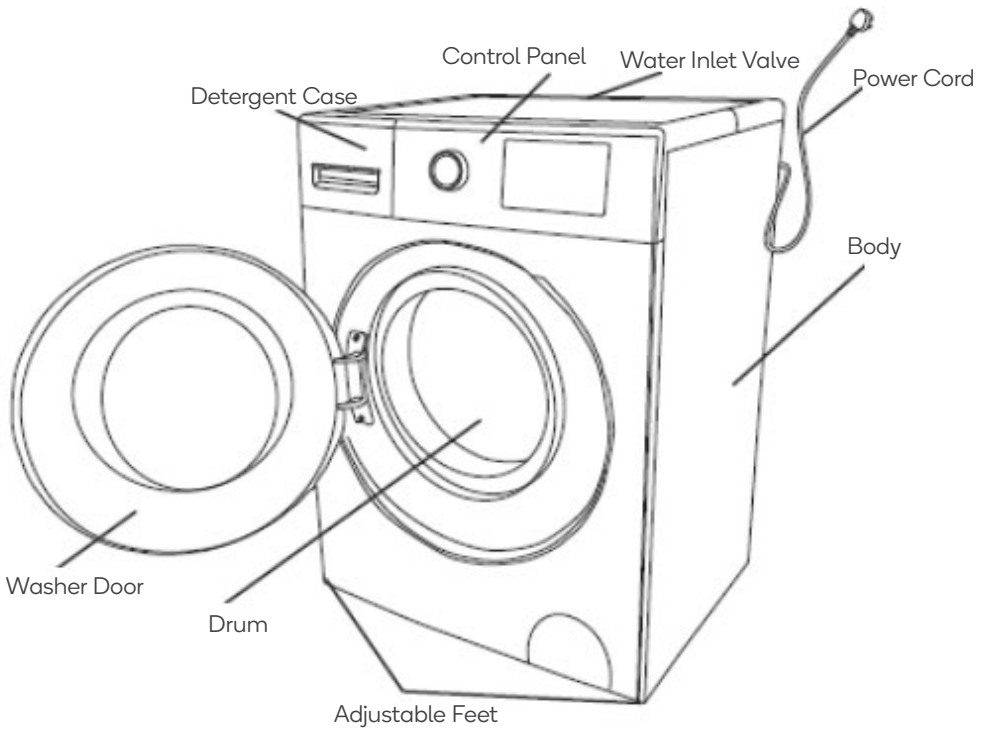


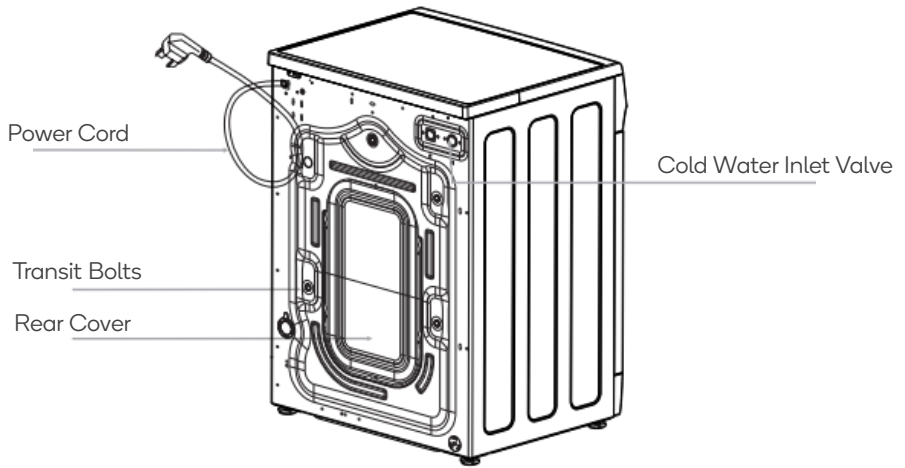
Spanner



User Guide

OVERVIEW



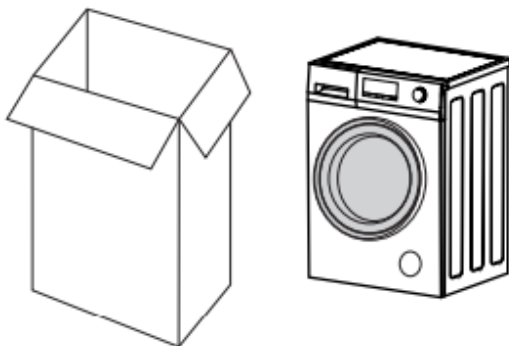


Note:

The artwork in this user guide is intended for reference only and may differ from the actual product.

INSTALLATION

Packaging



- Remove all the packaging (Including the foam base).
- Properly dispose of all the packaging and keep them out of the reach of children.
- Some condensation may appear on the packaging plastic bag and the door glass.

Transportation

Two people are required to carry the machine. One person on each side carries the machine by holding the base/adjustable feet of the machine.

Positioning the washing machine

The washing machine must be installed on the ground which must be hard, flat and skid-proof. Please do not lay the washing machine on soft blankets or wooden floors. Do not lay the washing machine on a platform or bracket.



Sloping ground



Platform or bracket



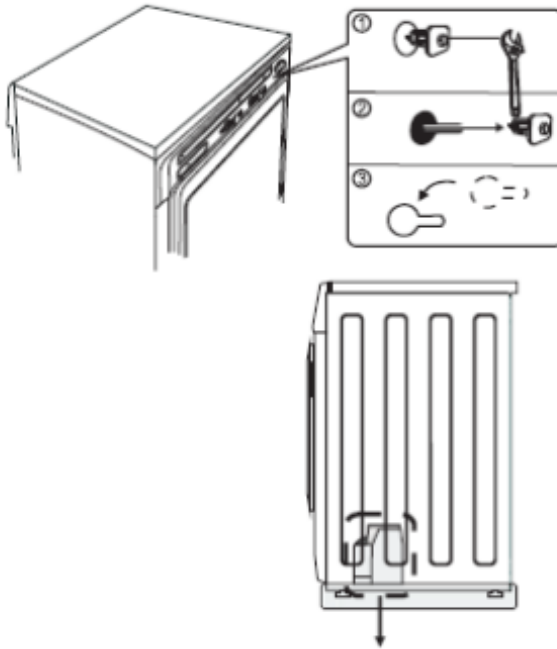
Concave/convex ground

Transit Bolts

To protect the machine during transportation, there are x4 bolts inserted into the inner part of the machine. Remove these bolts before use.

If the transit bolts are left in place, there will be a strong shock, loud noise and malfunction during the spin process.

1. Unscrew the bolts that are fixed before transportation by spanner (4 bolts).
 2. Remove the bolts horizontally.
 3. Fit the cover lid into the holes.
- Keep the removed transit bolts in a safe location; you will need to reinstall them if moving.
 - As the picture below shows, please be sure to confirm that the base protection device is not stuck at the bottom of the washing machine before use, otherwise, it will affect the normal use of the washing machine.



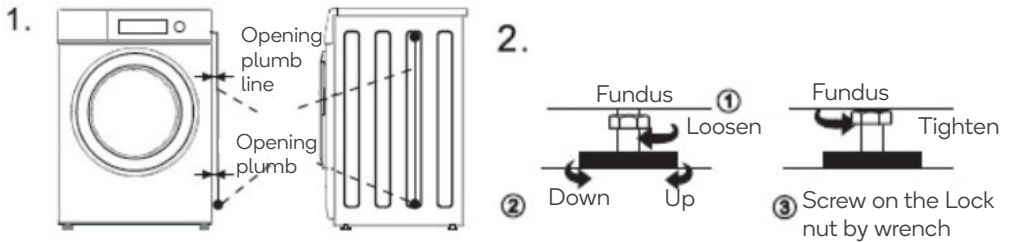
Base protection device

Level adjustments

Adjust the machine horizontally

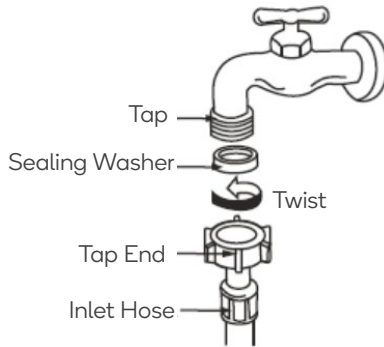
There will be a strong shock, noise and malfunction in operation if the washing machine is not installed correctly. Please adjust the front adjustable Leg.

1. Check whether the washer is on a level surface using a plumb line as shown in the figure below. The washer is on the level ground floor if the Frame line of a washer is parallel with the plumb line.
2. Adjust the Adjustable Leg of washer if necessary, to make the washer level as shown in the beside figure.
3. Put your hands on the washer diagonally, press and shake the washer slightly to make sure that the washer is steady.



Connecting the Inlet Hose

1. Check that the sealing washers are firmly seated.
2. Attach the curved end of the hose to the inlet valve of the washing machine. Tighten the coupling nuts securely by hand.
3. Attach straight end of the hose to the tap. Tighten the coupling nuts securely by hand.
4. Turn on the taps and check for leaks. Tighten the coupling nuts firmly if there is any leakage. If the water pressure is strong, close the water tap completely then open it slightly.

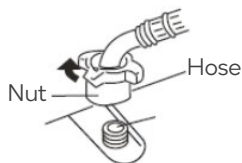


Caution:

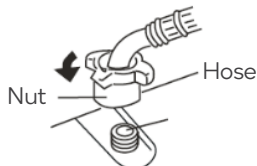
- Do not use water which is hotter than 50°C.
- If your faucet is not suitable, please consult your plumber.

Installing Water Inlet Hose to the Washer

Turn the nut clockwise till the nut turned tight while holding the hose.



Turn the nut counter-clockwise after turning the faucet off when you want to detach the water inlet hose.



Connection of Drain Hose

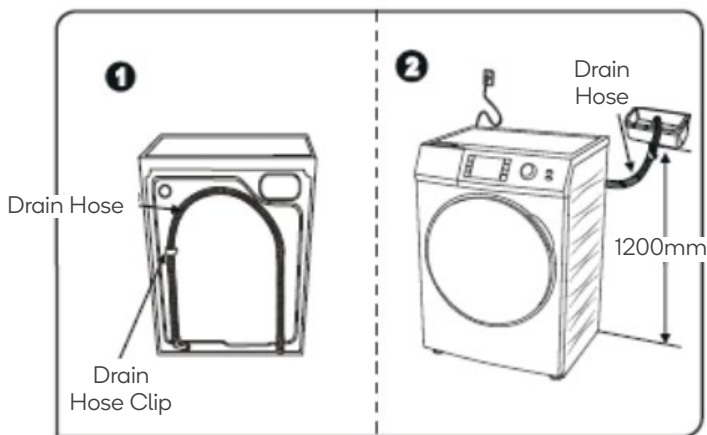
Whilst the washing machine is off, place the drain hose onto the back of the machine, as shown in figure 1 below.

Whilst the washing machine is on, place the drain hose into the drain location, as shown in figure 2. The drainpipe can go directly into your drain but ensure that the hose is not kinked and there is no sag in the hose, to avoid pooling.

To ensure that the washing machine functions normally, it is essential to clean the filter periodically.

Note:

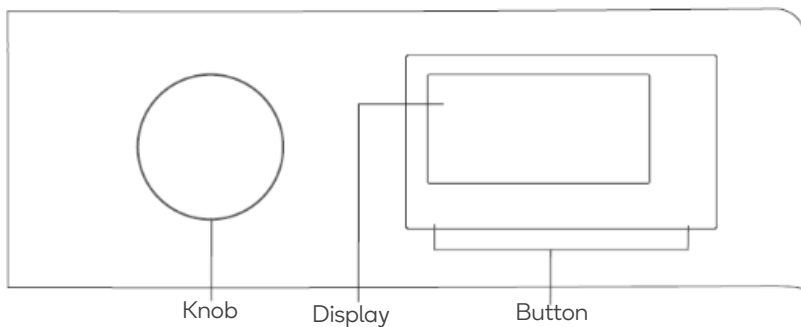
Do not remove the drain hose holder; doing so may cause drainage problems.



Prior to first use:

- We recommend the user run the tub clean program before the first time washing. This is to remove any debris or dust from the tub, which would otherwise go onto your washing.
- Do not forget to close the water tap and take down the power plug to avoid any flood or fire disaster.

CONTROL PANEL



Start/Stop:



Press the button to start and press again to stop.

Power Knob:



Turn the power on or off. Please note, when a program has finished, the machine will turn off automatically.

Display window introduction:

- When the power is on, the display will show the spin speed and other information.
- When running, it will display the remaining time.
- When breakdown, it will display the error code.

Temperature button:

- Set the washing temperature according to the clothes type.
- The temperature setting range is different among programs. Some of them have a range limitation.

Speed button:

- Set the spin speed according to your requirements.
- Some programs have a spin speed limitation.

Delay button:

- Delay the start of your wash using this button.

Oxygen Fresh button:

- Used to enable the Oxygen Fresh function.
- In some programs, the oxygen fresh function is limited.

Rinse button:

- Set the rinse times.
- In some programs, the number of rinses that you can set is limited.

Soak button:

- Set the soak time.
- In some programs, the soak time options are limited.

Stains button:

- Used to set the stain type. Please note, this is only available for some washers.

Time wash button (+/-):

- Select the washing time.

OPERATION

Note:

Ensure transit bolts have been removed prior to operation. Failure to do so may result in damage.

Normal Clothes

Method

- Preparation
 - Put the clothes in and close the door.
 - Put the detergent or washing powder into the detergent box.
 - Switch on the water tap, put the drain-pipe and plug in the power supply.
- Turn on the power.
- Choose a suitable program.
- Choose a suitable button.
- Press the "start/stop" button.
- When finishing washing, the buzzer will sound.

Wool

Method

- Turn on the power and choose the wool program.

Attention

- Check the washing label on the clothes before washing and confirm they are suitable for washing.
- When finishing wash, please take the clothes out immediately for airing in order to avoid clothes deformation.
- The temperature cannot be setting more than 40 degrees to avoid clothes broken.
- Using the wool detergent can improve the washing performance.
- Separate light colour clothes and dark colour clothes before washing.

Backpack Wash

Method

- Turn on the power and select the backpack program.

Attention

- This mode is only designed for washing the backpack with water.
- Please take off any loose items or decorations before washing and wrap the straps tightly.
- Remove the backpack immediately to air out after washing.
- Please pull up the zipper and wash the backpack separately with other clothes.

Delayed Wash function

Method

- Turn on the power and choose a suitable wash program based on your items to be washed.
- Press the delay button to set the finish time.
- Press the start/stop button to start-up the delay wash function. The delay time is a one-hour interval and maximum is 24 hours.

Attention

- If you need to change the delay length, please press the power button and set it again.
- After setting the delay time, you can cancel by pressing the power button.
- When you have selected your preferred delayed wash length, please press the delay button. The time set will display for 5 second
- The time is different for different conditions. It depends on the water pressure, drainage, clothing type and water temperature.

Add-up Function

- This function allows you to add extra items during washing.

Method

- Press the "start/stop" button during washing until the timer light turns off. After some time, the door lock will release, and the display will show "Add". Please add washing and close the door, then press the "start/stop" button to continue washing.
- Please don't forcibly open the door, it is unsafe and will cause damage.
- When there is a lot of foam or water in the drum, please use a dry towel to prevent foam and water from spilling out after opening the door.

Cancel the buzzer

- Turn off the buzzer when the program finishes.

Set/Cancel method

- Turn on the power and press the "start/stop" button until the buzzer sounds. When releasing the button, "cancel the buzzer" function will be set and activated. If you repeat this, the setting will be cancelled.

Child protection function

- If the door is opened before the program starts, the machine will activate child protection mode.
- Firstly, the door will be opened, and the motor will be running for a while.
- And then, the door will be unlocked for a while still working again. If during the waiting time, the door is opened. The machine will be stopped.

Child lock function

- User can set child lock function in order to avoid child operate the machine when it is working. So, the door cannot be opened and the button except power button can't be handled. When this function is cancelled, the door can be opened again.

Set/Cancel method

- Turn on the power and press "temperature" button for 3 seconds till the buzzer sound. The child Lock function will be set. If you repeat this action, the child lock function will be cancelled.

DOOR LOCK

Unlocking the Automatic Door Lock

When the machine is operating, the door locks automatically. This is to prevent scalding from touching hot water before it has a chance to cool down. In normal usage, the door will not be unlocked until either the cycle is stopped, or the emergency pull-rope is activated.

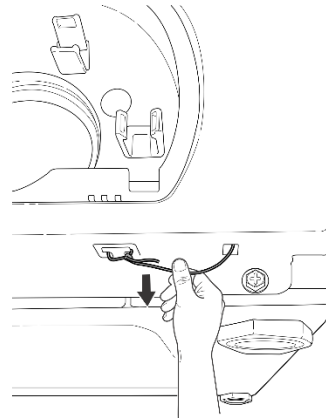
When the machine is working, press the "start/stop" button. In most cases, the door can then be opened after the inner tub stops spinning. Exceptions to this are:

- If the power plug is removed when the machine is running, the door will remain locked as a safety measure.
- If the machine was running at a high working temperature, the door will remain locked as a safety measure until the temperature has reduced.

In most cases, the recommended course of action is to complete a full wash cycle and wait until the washing machine has cooled before opening.

To unlock the door in an emergency, there is a pull-rope located at the base of the washing machine. Tilt the machine up to gain access to the underside and locate the pull-rope. Pull the rope firmly until the door latch is unlocked, allowing door to be opened.

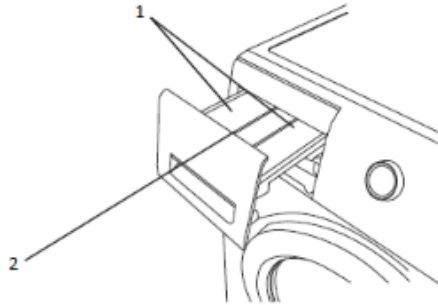
CAUTION – Water may be extremely hot and pose risk of scalding.



Emergency pull-rope

Note: If the door is opened whilst the machine is working, bubbles may escape. Clean the machine with a towel.

Introduction to each compartment of detergent box:



Powder Synthetic detergents

- For the undissolved detergents, for example: powder state soap, dissolve it in advance and then pour into the detergent box.

Liquid Detergent Bleach

- Use low bubble liquid synthetic detergents.
- For the concentrated liquid detergents, dilute it with water by half and then pour into the detergent box.

Softener

- Put into the detergent drawer before washing, it will be poured into the machine automatically during the last round of rinsing.
- For concentrated detergents, use a corresponding proportion of water to dilute the detergent then pour it into the detergent drawer.
- Do not exceed the full mark line.

Notes:

- High bubble washer powder or detergents are forbidden.
- Use detergents in accordance with the instruction provided by the manufacturer.
- Excessive detergents will cause too many bubbles and affect the rinse and may affect the functions of the washer.
- Choose suitable detergents in accordance with the type and colour of clothes, the water temperature and the stain.

PROGRAMS / MODES

Washing Programs (quick reference)

Cotton Eco	Eco Cotton Wash
Cotton	Regular Cotton Wash
MixWash	Cotton and Synthetics Mixed Wash
Jeans	Wash Jeans
Wool	Wool Wash*
Synthetic	Synthetic Wash
Winter clothes	Down Jacket Wash*
Quick wash	Small Wash or Only Slightly Dirty
Colours	Wash Setting for Clothes with a Deep Colour or a Light Colour
UnderWear	Wash Underwear
Shirt	Wash Shirts
Kidswear	Wash Kids Wear
Rinse + Spin	Rinse and Spin Only
Spin	Spin Only
Drum clean	Clean the Drum Without Clothes
Backpack	Wash a Backpack

* Item must be marked as machine washable on the label.

Washing Programs (detailed guide)

Program	Cotton Eco
Application	Used for energy efficient washing.
Default time	5:39
Max. load (kg)	Rated capacity
Washing time (min)	Rated capacity
Temperature (°C)	40° C
Rinse (cycles)	3
Spin time (minutes)	14
Spin speed (rpm)	1400rpm
Stain	N/A

Program	Cotton
Application	Everyday cotton and linen fabrics.
Default time	1:08
Max. load (kg)	Rated capacity
Washing time (min)	20 minutes
Temperature (°C)	Default 30° C
Rinse (cycles)	2 (0-6)
Spin time (minutes)	6 minutes (8 min @ 1200 rpm; 9 min @ 1400 rpm; remaining time will be accumulated)
Spin speed (rpm)	Default 1000rpm (400-600-800-1000-1200-1400)
Stain	Oil (30min-50° C) Paint (25min-40° C) Wine (25min-40° C) Juice (25min-30° C) Coffee (35min-45° C) Stain (refer to specification)

Program	Mix wash
Application	For a mixed load of synthetic and cotton textiles.
Default time	1:03
Max. load (kg)	≤6kg
Washing time (min)	15 minutes
Temperature (°C)	Default 30° C
Rinse (cycles)	2 (0-6)
Spin time (minutes)	6 minutes (8 min @ 1200 rpm; remaining time will be accumulated)
Spin speed (rpm)	Default 1000rpm (400-600-800-1000-1200)
Stain	Oil (25min-40° C) Paint (20min-40° C) Wine (20min-40° C) Juice (20min-30° C) Coffee (30min-45° C) Stain (refer to specification)

Program	Quick wash
Application	For a few lightly soiled items.
Default time	0:16
Max. load (kg)	≤1kg
Washing time (min)	3 minutes
Temperature (°C)	Default Cold (Cold-10-20-30)
Rinse (cycles)	1(1-6)
Spin time (minutes)	3 minutes (6 min @ 1000 rpm; 8 min @ 1200 rpm; 9 min @ 1400 rpm; remaining time will be accumulated)
Spin speed (rpm)	Default 800rpm (400-600-800-1000-1200-1400)
Stain	N/A

Program	Jeans
Application	For denim jeans or similar hard- wearing cotton clothing.
Default time	1:08
Max. load (kg)	≤5kg
Washing time (min)	20 minutes
Temperature (°C)	Default 30° C (Cold-10-20-30-40)
Rinse (cycles)	2 (0-6)
Spin time (minutes)	6 minutes (8 min when speed is 1200 rpm; remaining time will be accumulated)
Spin speed (rpm)	Default 1000rpm (400-600-800-1000-1200)
Stain	Oil (30min-40° C) Mud (25min-40° C) Wine (30min-40° C) Juice (25min-30° C) Coffee (30min-40° C)

Program	Wool
Application	For machine-washable wool or wool-blend textiles. Designed to prevent shrinkage.
Default time	1:04
Max. load (kg)	≤2kg
Washing time (min)	20 minutes
Temperature (°C)	Default Cold (Cold-10-20-30-40)
Rinse (cycles)	2 (0-6)
Spin time (minutes)	2 minutes (2 min @ 400 rpm; 3 min @ 800 rpm)
Spin speed (rpm)	Default 600rpm (400-600-800)
Stain	N/A

Program	Synthetic
Application	For synthetic or synthetic blend textiles.
Default time	1:07
Max. load (kg)	≤6kg
Washing time (min)	20 minutes
Temperature (°C)	Default 30° C (Cold-10-20-30-40-60)
Rinse (cycles)	2 (2-6)
Spin time (minutes)	5 minutes (6 min @ 1000 rpm; remaining time will be accumulated)
Spin speed (rpm)	Default 800rpm (400-600-800-1000)
Stain	Oil (25min-40° C) Paint (20min-40° C) Wine (20min-40° C) Juice (20min-30° C) Coffee (30min-45° C) Stain (refer to specification)

Program	Winter clothes
Application	For heavy jackets and winter clothing.
Default time	1:31
Max. load (kg)	≤2kg
Washing time (min)	30 minutes
Temperature (°C)	Default 30° C (Cold-10-20-30-40)
Rinse (cycles)	3 (0-6)
Spin time (minutes)	3 minutes (6 min @ 1000 rpm; remaining time will be accumulated)
Spin speed (rpm)	Default 800rpm (400-600-800-1000)
Stain	Paint (30min-40° C) Wine (30min-40° C) Juice (30min-30° C) Coffee (40min-45° C)

Program	Backpack
Application	For washing backpacks that can be washed in water.
Default time	1:51
Max. load (kg)	≤3kg
Washing time (min)	50 minutes
Temperature (°C)	Default 40° C (Cold-10-20-30-40)
Rinse (cycles)	3 (0-6)
Spin time (minutes)	3 minutes
Spin speed (rpm)	Default 800rpm (400-600-800)
Stain	N/A

Program	Colours
Application	For brightly coloured items.
Default time	1:00
Max. load (kg)	≤3kg
Washing time (min)	15 minutes
Temperature (°C)	Default 15° C
Rinse (cycles)	2 (0-6)
Spin time (minutes)	3 minutes
Spin speed (rpm)	Default 600rpm (400-600-800)
Stain	N/A

Program	Underwear
Application	Used for washing underwears.
Default time	1:21
Max. load (kg)	≤3kg
Washing time (min)	20 minutes
Temperature (°C)	Default 30° C (Cold-10-20-30-40-60)
Rinse (cycles)	3 (0-6)
Spin time (minutes)	3 minutes (6 min @ 1000 rpm; remaining time will be accumulated)
Spin speed (rpm)	Default 800rpm (400-600-800-1000)
Stain	Oil (25min-40° C) Paint (20min-30° C) Juice (20min-30° C) Stain (refer to specification)

Program	Kidswear
Application	For washing children's clothes.
Default time	2:23
Max. load (kg)	≤4kg
Washing time (min)	80 minutes
Temperature (°C)	80° C
Rinse (cycles)	3 (0-6)
Spin time (minutes)	5 minutes (6 min @ 1000 rpm; 8 min @ 1200 rpm; 9 min @ 1400 rpm; remaining time will be accumulated)
Spin speed (rpm)	Default 800rpm (400-600-800-1000-1200-1400)
Stain	N/A

Program	Rinse + Spin
Application	Separate rinse program with spin.
Default time	0:21
Max. load (kg)	≤6kg
Washing time (min)	--
Temperature (°C)	--
Rinse (cycles)	1 (0-6)
Spin time (minutes)	6 minutes (8 min @ 1200 rpm; 9 min @ 1400 rpm; remaining time will be accumulated)
Spin speed (rpm)	Default 1000rpm (400-600-800-1000-1200-1400)
Stain	N/A

Program	Spin
Application	Separate spin program with selectable speed.
Default time	0:12
Max. load (kg)	≤6kg
Washing time (min)	--
Temperature (°C)	--
Rinse (cycles)	--
Spin time (minutes)	6 minutes (8 min @ 1200 rpm; 9 min @ 1400 rpm; remaining time will be accumulated)
Spin speed (rpm)	Default 1000rpm (400-600-800-1000-1200-1400)
Stain	N/A

Program	Drum Clean
Application	A drum cleaning program designed for use without laundry items.
Default time	2:19
Max. load (kg)	--
Washing time (min)	110 minutes
Temperature (°C)	80° C
Rinse (cycles)	1
Spin time (minutes)	3 minutes
Spin speed (rpm)	800rpm
Stain	N/A

Program	Shirt
Application	Cotton or mixed fibre shirts and blouses.
Default time	1:05
Max. load (kg)	<=3kg
Washing time (min)	20 minutes
Temperature (°C)	Default 30°C (Cold-10-20-30-40-60)
Rinse (cycles)	2 (0-6)
Spin time (minutes)	3 minutes (6 minutes @1000rpm; remaining time will be accumulated)
Spin speed (rpm)	Default 800rpm (400-600-800-1000)
Stain	Oil (30min-40°C) Paint (30min-40°C) Wine (35min-35°C) Juice (40min-30°C) Coffee (40min-45°C) Stain (refer to specification)

CLEANING & CARE

- To ensure the long life of the machine, perform regular cleaning and maintenance.
- Ensure the filter is emptied often.
- Always unplug the power before cleaning or performing general maintenance.

Machine Body

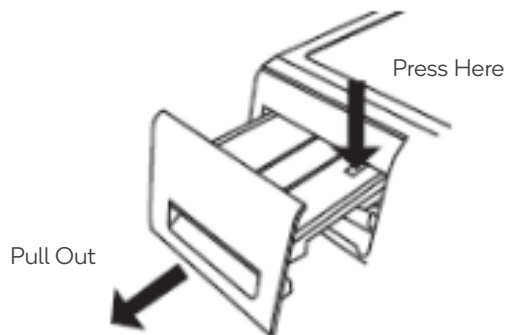
- Please use a soft cloth to clean the washing machine body after washing every time. If the machine is very dirty, use a small amount of detergent or soap, with a little bit of water on the cloth to clean the washer.
- Please do not use water to wash the machine directly, only use a very small amount via a damp cloth.
- Cleaning powders, diluents, petrol, and alcohol cannot be used to wash the machine.

Door Gasket

- Please use a cloth to clean the gasket after every wash. If any items blocking or stuck to the gasket, carefully remove them.

Cleaning the Detergent Box

- Please clean the detergent box regularly.
- Take out the box and clean it with water.



Cleaning the Inlet Valve

Please note, this should be completed once per year:

1. Take out the inlet pipe.
2. Take out the filter screen.
3. Use a toothbrush to clean the filter screen and then assemble it again.
4. Connect the inlet pipe after cleaning.



Valve

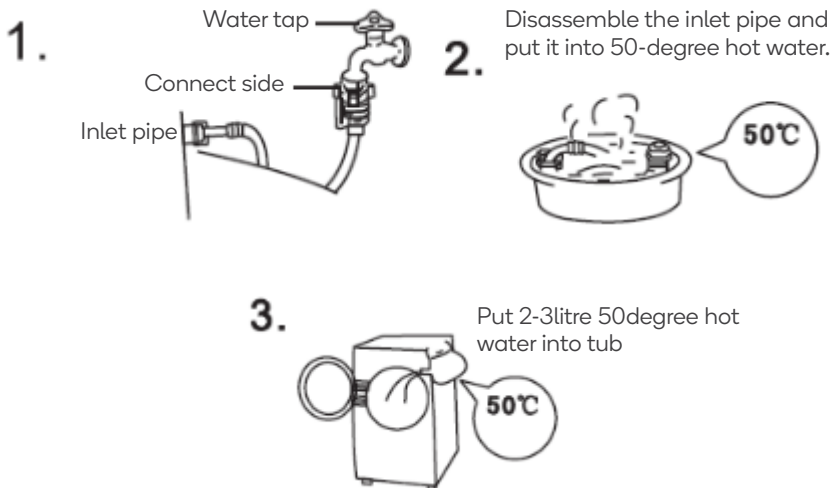
Cleaning the Tub

It is recommended that this is completed once a month.

After extended use, dirt may build up in and around the tub. The tub cleaning function can clean the inner and outer tub. During this cleaning mode, there should be no clothes or detergent in the tub.

Machine Frozen

- Use a hot towel to wrap the water tap and connector.
- Disassemble the inlet pipe and put it into 50-degree water. Ensure that the water is not too hot to avoid damaging your washer.
- Put 2-3 Litres of 50-degree water into the tub.
- Assemble the inlet pipe again, open the water tap and start the machine. Lastly, please check that the inlet pipe and drain pipe work normally.



Cleaning the Pump Filter

It is recommended that this is completed once a month.

1. Insert a coin into the groove of the pump and press it. The filter cover can then be opened. If there is hot water in the machine, please wait for it to cool before opening the filter.
2. Take out the filter anticlockwise.
3. Wash the filter with water.
4. Assemble the filter into the pump clockwise.

Notes:

- The filter should be assembled tightly to avoid water leakage.
- Do not clean the filter whilst the machine is working.

SPECIFICATIONS

Rated wash capacity	8.0kg
Rated spin capacity	8.0kg
Rated dry capacity	-
Rated dry power	-
Max current	10A
Rated voltage	230-240V-50Hz
Rated power	2000W
Energy efficiency	4 stars
Water efficiency	4 stars
Water consumption per wash	79L
Annual energy consumption	265kWh
Washing performance	0.8
Water pressure	0.03 – 1.0 MPa
Product dimension	600 x 595 x 850

TROUBLESHOOTING

Fault Code	Issue	Inspection point	Solution
No display	Not Functioning	<ul style="list-style-type: none"> • Check the power outlet has power. • Check the outlet is turned on. • Check if the house power has been tripped or is not on. • Check the leakage protector switch. • Ensure delayed start has not been activated. 	Press the Start/Pause button
E11	No Water	<ul style="list-style-type: none"> • Press the on/off button. • Ensure the water pipe has not been frozen. • Ensure the filter does not have a blockage. • Check the washer is receiving water from the pipe. 	Press the Start/Pause button
E12	Undrained	<ul style="list-style-type: none"> • Ensure the drainpipe is in the right place. • Check to see if the drain height is too high. • Check to see if the drain-pipe has been clogged or not • Ensure the drain-pipe Length is suitable. 	Press the Start/Pause Button
H	Door Cannot Be Opened	<ul style="list-style-type: none"> • The water temperature may be too high. • Ensure the hot water has not been used. 	The washer will automatically unlock once a safe temperature is reached.
U3	No Spin Cycle	<ul style="list-style-type: none"> • Ensure the washer in the right place and steady. • Make sure don't have too many clothes or very large items. • Use fewer clothes. • Don't insert rolled up blankets into the machine. 	Add 2 items of clothing and press the Start/pause button.

	Door Not Closed		Close the door, until the "Locked" light turns on, then press "Start/Pause" to restart.
Other code	Alarm		Press "Start/Pause" to proceed, if the issue persists, contact Kogan.com support.

No-Fault Code

Condition	Reason
Shaking/noisy/vibrating	<ul style="list-style-type: none"> • The transit bolts have not been removed, view the Transit Bolts section of the manual • The machine has not been levelled, adjust the level feet.
The door cannot be opened	<ul style="list-style-type: none"> • Water temperature or water level is too high or the power has been cut. • Child lock function has been activated. • The clothes are clamped between the door and the gasket
Peculiar smell	<ul style="list-style-type: none"> • Because there are rubber components, there may be a rubber smell at the beginning.
Less water for washing and rinsing wash	<ul style="list-style-type: none"> • Front-load washers only need a little water to wash.
No water	<ul style="list-style-type: none"> • Ensure the tap is turned on. • Ensure the water pipe is not frozen. • Ensure the filter is not blocked.
Halfway inflow the water	<ul style="list-style-type: none"> • If the water level drops, the systems will automatically add water.
Drainage when the machine is washing	<ul style="list-style-type: none"> • Too much bubbly detergent.

<p>Remaining time change</p>	<ul style="list-style-type: none"> • If the clothes are distributed unevenly, the washing machines will automatically add water to stay in balance. • The rest time is calculated based on 15L/min inflow. So according to different water pressure, the time will be longer or shorter. • The draining time will be increased if the washing machine is on angle.
<p>The spinning process makes an abnormal sound</p>	<ul style="list-style-type: none"> • Is the power line connected to the cabinet? • Have the transit bolts been removed? • Is there a hairpin, coins or other foreign objects that have fallen into the drum?
<p>Failure to work after power failure</p>	<ul style="list-style-type: none"> • When the power cut off, the machine will not rotate. If power is recovered and the machine will still not rotate, turn off the power and then reset the program.
<p>Emergency open door</p>	<p>If you experience of power outage whilst using your washing machine or there is another issue that prevents the cycle from finishing, the washing machine will still be locked.</p> <p>If this occurs, any garments will remain locked inside the machine until the cycle can be complete.</p> <p>In an emergency, the lock can be overridden, however, it can be dangerous and you must wait a minimum of one hour for the water to cool.</p> <p>As the cycle is not complete, there is a risk of:</p> <ul style="list-style-type: none"> • Burns from hot water • Water spills <p>To reduce the likelihood of this occurring, the water in the washer should be allowed to cool to room temperature and the water level should be less than one bucket.</p> <p>Once this is confirmed, the door can be opened by pulling the rope mechanism at the bottom of the device.</p>

Need more information?

We hope that this user guide has given you the assistance needed for a simple set-up. For the most up-to-date guide for your product, as well as any additional assistance you may require, head online to **help.kogan.com**

kogan.com