



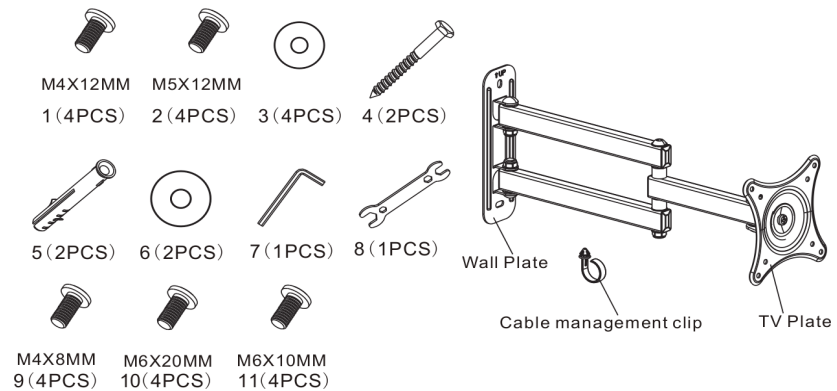
10" - 24" Extendable Arm Wall Mount KAWLM10EXTA Installation Guide



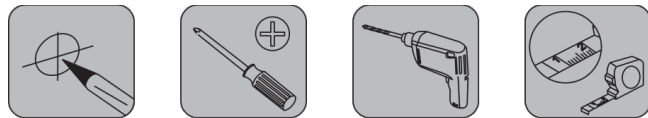
- Contains small items that can be a choking hazard. Keep away from children.
- Make sure instructions are read and understood before installation. If you are unsure about any step shown, please contact the Kogan.com customer support team or a professional installer.
- Ensure that the wall or mounting surface is capable of supporting the combined weight of the mount and the display. Never exceed the maximum mounting weight of 10KG.
- Safety gear and proper tools must be used.
- Kogan.com is not liable for any damage or loss caused due to incorrect installation of the product.

Preparation

What's In The Box

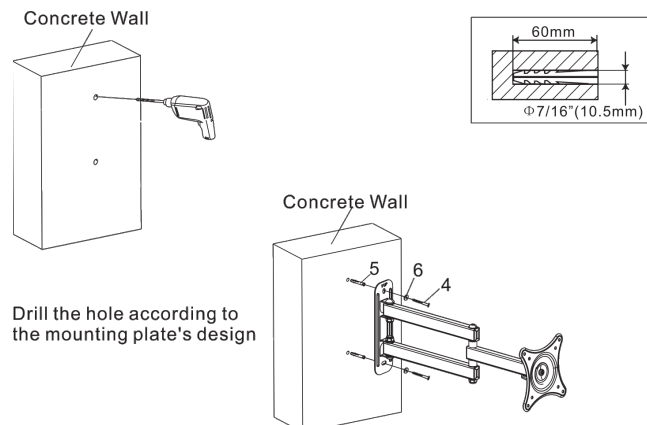


Not Supplied But Required

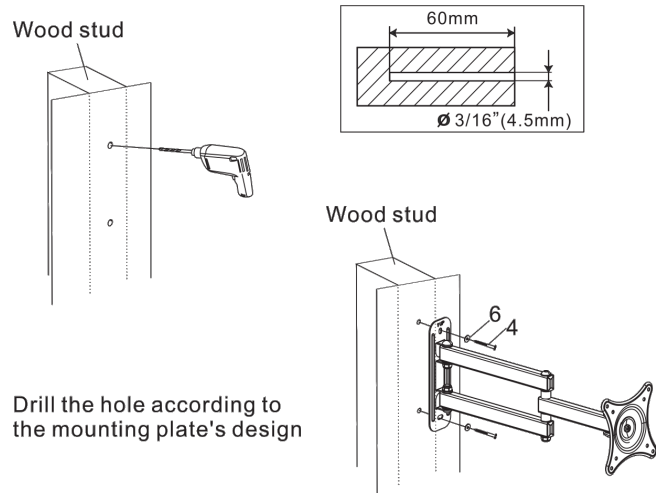


Installation

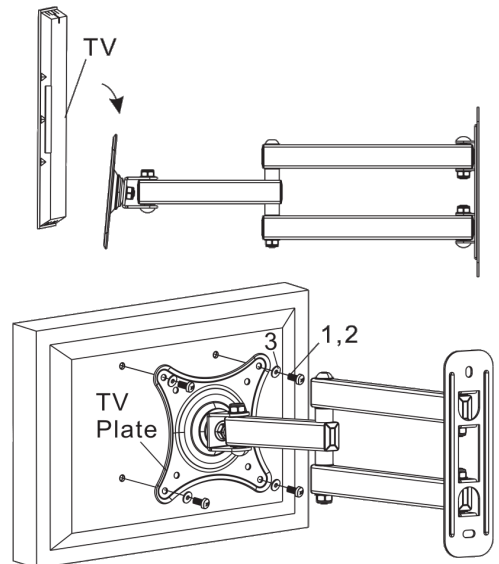
Step 1 - Solid concrete mounting



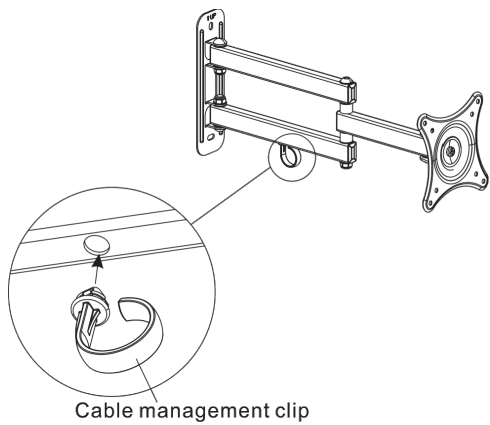
Step 1 - Wood stud mounting



Step 2 - Attaching VESA plate to monitor/TV



Step 3



Step 4

