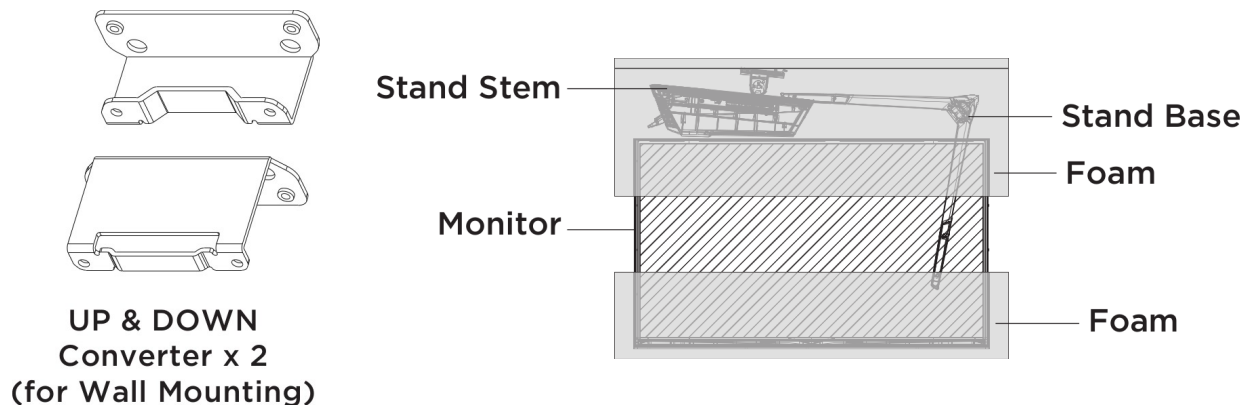




VESA Bracket for Kogan 35" Ultrawide Monitor KAWP35U144A Installation Guide

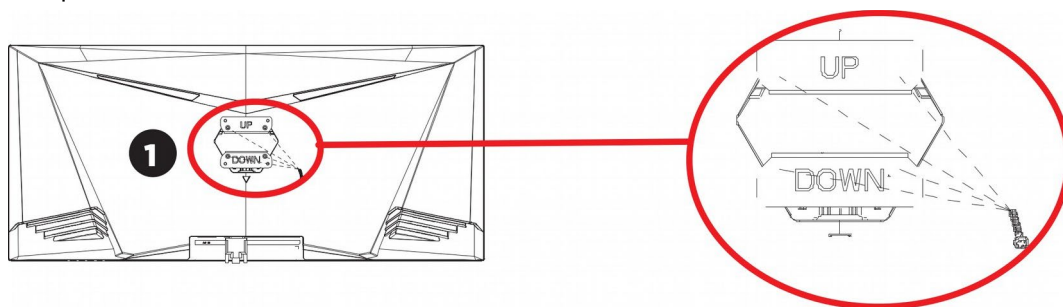
1. Remove the VESA bracket from the packaging as indicated below.



2. Remove the existing stand from the monitor if still attached: lay it on a cushioned surface to avoid scratching the panel and remove the original screws.

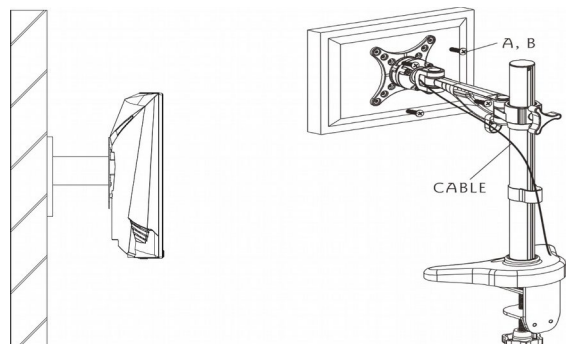
Install the UP & DOWN converters with the screws provided (M4*16mm).

NOTE: DO not discard the original screws. They are required for to secure the rear panel for stand installation.



3. Follow the directions for the stand or mount you are using (not included) to affix the monitor to the desk or wall.

Illustrations are for reference only:



NOTE: For your safety and to avoid damage of equipment, ensure the rated weight capacity of the stand or mount you are using is sufficient (8.5kg+).

User manual is subject to change without notice. For the latest version of your user manual, please visit <https://www.kogan.com/usermanuals/>