

BT9400



WIRELESS LED SPEAKER

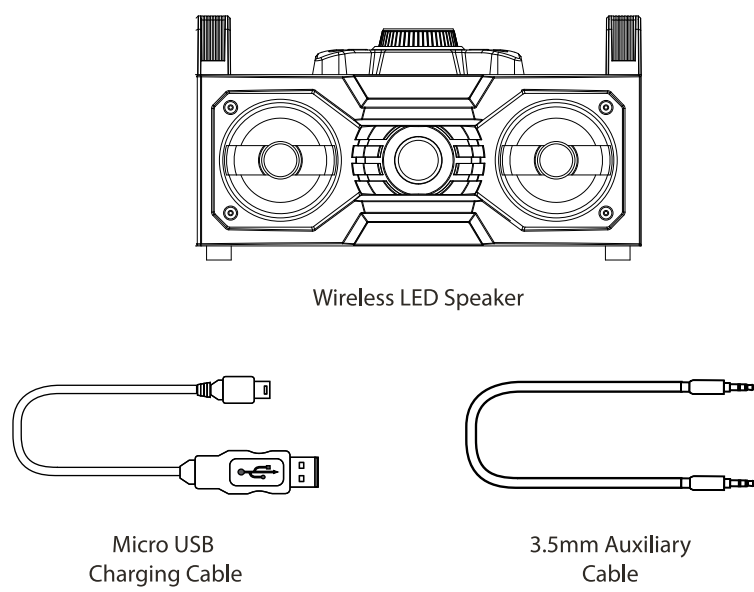
BT9400 | USER MANUAL

- Questions? Need some help? This manual will help you enjoy your new product.
- If you still have questions, call our help line: 1300 666 848
- www.lenox.com.au
- LenoxElectronics
- @LenoxAustralia

WARRANTY

WE WARRANT THIS PRODUCT TO BE FREE FROM DEFECTS IN MATERIAL AND WORKMANSHIP UNDER NORMAL USE FOR A PERIOD OF 12 MONTHS AFTER DELIVERY TO THE ULTIMATE USER AND WE WILL REPAIR AT NO CHARGE OR REPLACE THIS WARRANTY DOES NOT APPLY TO ANY PRODUCT WHICH HAS BEEN SUBJECT TO MISUSE, NEGLIGENCE OR ACCIDENT. THIS WARRANTY DOES NOT COVER HANDLES, ATTACHMENTS, ELECTRICAL CORDS, ANTENNAS, MICROPHONES, BROKEN CABINETS OR ANY OTHER ACCESSORIES USED IN CONNECTION WITH THE PRODUCT. UNDER NO CIRCUMSTANCES WILL LENOX ELECTRONICS (AUSTRALIA) PTY LTD BE LIABLE FOR ANY INCIDENTAL OR CONSEQUENTIAL DAMAGE. IMPORTANT MESSAGE: BEFORE SENDING YOUR UNIT TO LENOX FOR REPAIR YOU MUST SUPPLY PROOF OF PURCHASE (ORIGINAL SALES RECEIPT) TO VALIDATE YOUR WARRANTY. THIS WARRANTY IS IN ADDITION TO OTHER RIGHTS AND REMEDIES OF THE CONSUMER UNDER A LAW IN RELATION TO THE GOODS OR SERVICES TO WHICH THE WARRANTY RELATES. Our goods come with guarantees that cannot be excluded under the Australian Consumer Law. You are entitled to a replacement or refund for a major failure and for compensation for any other reasonably foreseeable loss or damage. You are also entitled to have the goods repaired or replaced if the goods fail to be acceptable quality and the failure does not amount to a major failure. FOR WARRANTY REGISTRATION PLEASE VISIT OUR WEBSITE www.lenox.com.au SERVICE DIRECT LINE (AUSTRALIA ONLY) 1300 666 848

IN THE BOX



USING THE SPEAKER

Powering ON/OFF:
To turn the speaker ON, slide the [ON/OFF] switch on the back of the speaker to the ON position. To turn the speaker off, move the [ON/OFF] switch to the OFF position.

Playing Music:
Quick press the [◀] button to replay the previous track. Quick press the [▶] button to skip to the next track.

Quick press the [⏸] button to pause your music. Quick press the [▶] button again to resume music playback.

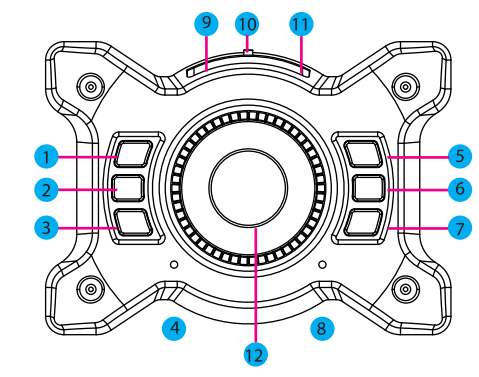
Volume:
Turn the volume dial clockwise to increase the volume. Turn the volume dial counter clockwise to decrease the volume.

Long press the Bluetooth pairing button to disconnect from your paired device.

Mode [M] button:
When a Bluetooth-enabled device is connected to the speaker using the included 3.5 mm Auxiliary cable, press the [M] button to switch to Bluetooth mode.

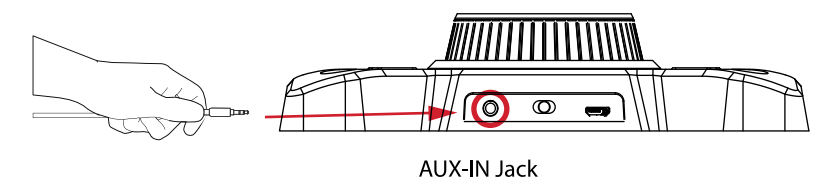
LOCATION OF CONTROLS

- Bluetooth pairing button
- [M] MODE button:
 - Quick press to switch between modes.
- [◀] button:
 - Quick press to replay the previous track.
- LED charging indicator
- [🔌] button:
 - Change LED light modes.
- [⏸] button:
 - Quick press to pause music.
 - Quick press again to resume music playback.
- [▶] button:
 - Quick press to skip to the next track.
- Play mode indicator
- DC5V charging port
- [ON/OFF] switch
- AUX-IN jack
- Volume dial



USING AS A WIRED SPEAKER

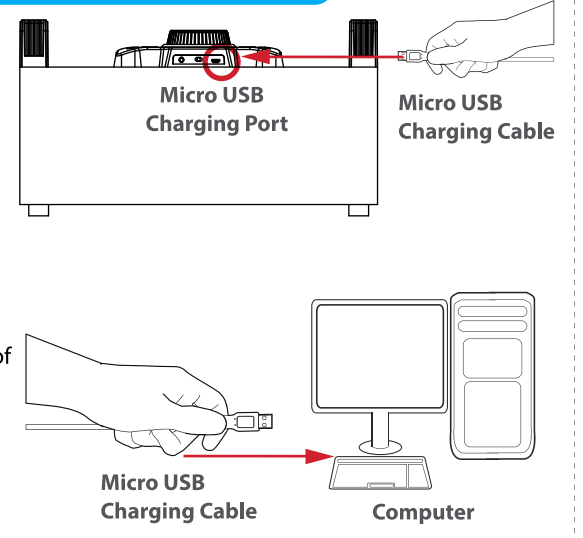
- Insert one end of the 3.5mm auxiliary cable into the AUX port on the control panel. The LED indicator will turn RED.
- Insert the other end of the 3.5mm auxiliary cable into the headphone jack on your smartphone, tablet or MP3 player.



You can also adjust the volume from your connected device's volume control.

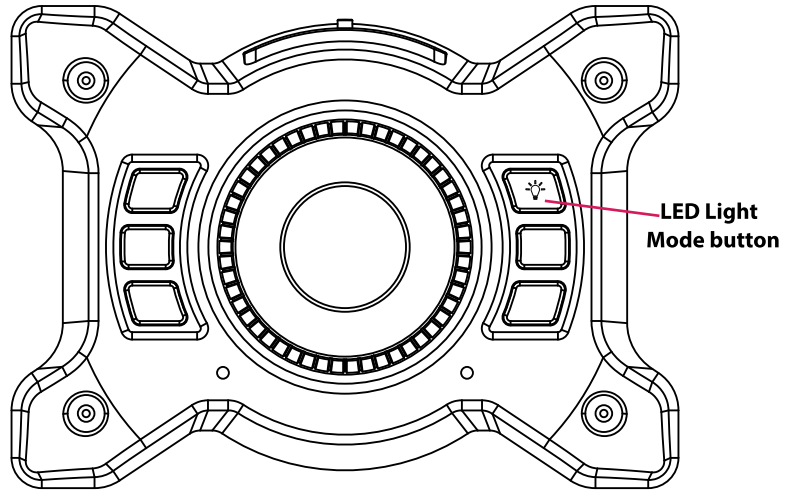
CHARGING THE SPEAKER

- Connect the small end of the micro USB cable to the DC 5V micro USB port on the speaker.
- Connect the larger end of the micro USB cable to your computer or AC Adaptor (not included).
- The LED indicator will remain RED when charging and will shut off when charging is complete.
- When the speaker is fully charged, remove the micro USB cable.



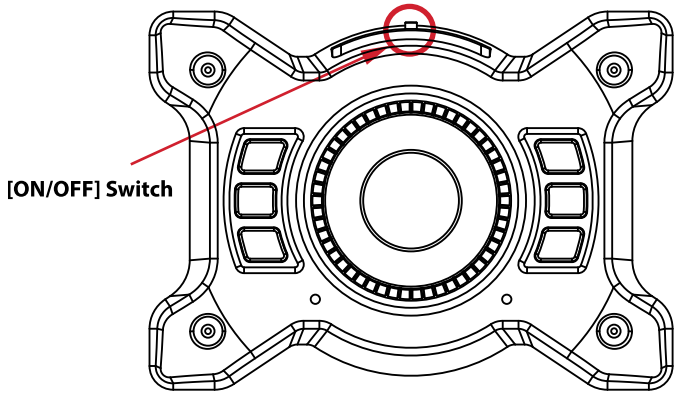
LED LIGHT MODES

This speaker has 5 LED color modes and 1 responsive LED light mode. When this feature is selected, the lights respond to the sound of your music. In order for this feature to function, the speaker's volume must be increased to the maximum level. Adjust the volume from your paired Bluetooth-enabled device.



PAIRING THE SPEAKER

- First, slide the [ON/OFF] switch to the ON position. A tone is heard and the LED indicator will flash GREEN to indicate that the speaker is in pairing mode.
- If there are no paired devices in range when the speaker is in Bluetooth mode, it will go into pairing mode automatically. If a paired device is in range, the speaker will connect to it automatically.



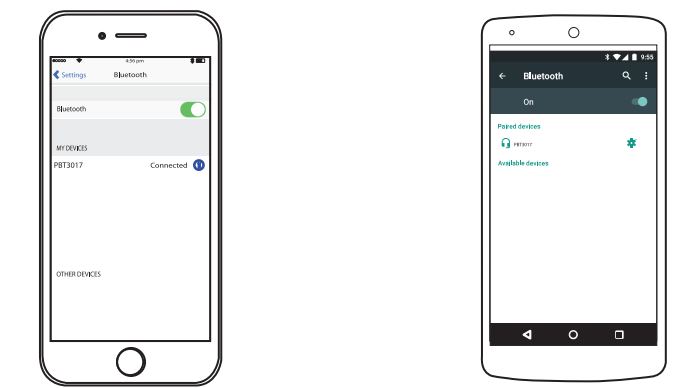
If there are no paired devices in range when the speaker is in Bluetooth mode, it will go into pairing mode automatically. If a paired device is in range, the speaker will connect to it automatically.

TROUBLESHOOTING

- I can pair the speaker with my Bluetooth device, but I cannot hear any music.
 - Make sure your Bluetooth device supports A2DP profile.
 - Turn up the volume on your Bluetooth device.
 - You may have to unpair the speaker, then re-pair to your device.
- My Bluetooth device is not able to pair with the speaker.
 - Make sure the speaker is turned ON before beginning the pairing process.
 - Keep the speaker and Bluetooth-enabled device within 3 feet of each other during the pairing process.
 - Check that YOUR device's Bluetooth feature is turned ON.
 - Try repeating the pairing process; see "Pairing the Speaker."
 - Make sure the speaker is charged.

PAIRING THE SPEAKER (cont'd)

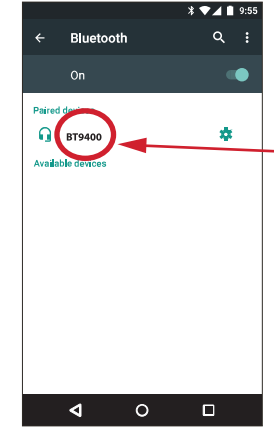
- Set your mobile phone or other Bluetooth-enabled device to search for Bluetooth devices (for detailed instructions for pairing your Bluetooth-enabled device, consult your mobile device's user documentation).
- On an iPhone or Android phone:
 - Go to SETTINGS > BLUETOOTH (Make sure Bluetooth is turned ON)



On an iPhone or Android phone
• Go to SETTINGS > BLUETOOTH (Make sure Bluetooth is turned ON)

PAIRING THE SPEAKER (cont'd)

- Select BT9400 from the list of found devices.
- If required, enter the password 0000. Select YES or OK to pair with your device.
- After a successful pairing, a tone is heard and the LED indicator will remain GREEN.



The screenshots above are typical of many Bluetooth-enabled devices in the market today, and are used to assist in the explanation of the pairing process. Your Bluetooth-enabled device's interface and interaction with the speaker may differ slightly from the illustrations shown.

LENOXX



WIRELESS LED SPEAKER

Model Number: BT9400

- Questions? Need some help? This manual will help you enjoy your new product.
- If you still have questions, call our help line: 1300 666 848
- www.lenox.com.au
- LenoxElectronics
- @LenoxAustralia