




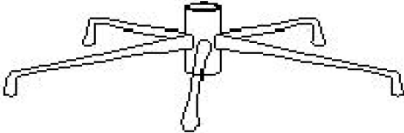
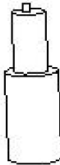


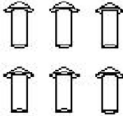

YOSHI OFFICE CHAIRS

User Guide

MATT BLATT

MBEAPOCHBLA

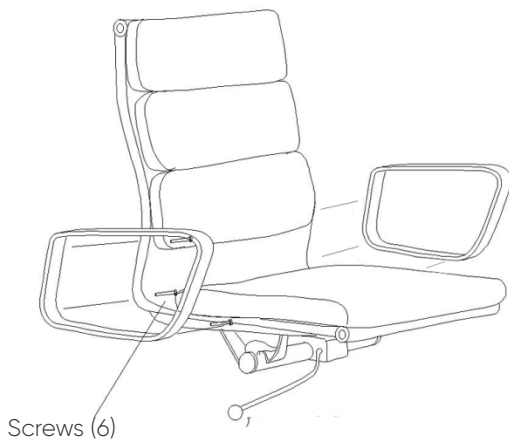
COMPONENTS

	
Chair Body	Base
	
Gas Spring	Castor wheels (X5)
	
Armrest (X2)	15mm M6 Screws (X6)
	
Allen Key	

ASSEMBLY

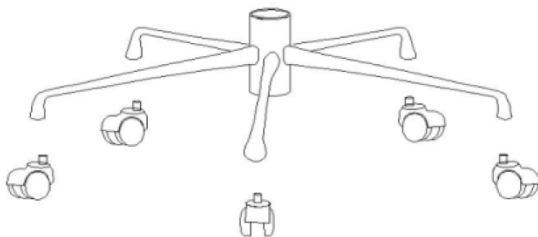
Step 1:

Using the Allen key, attach the Armrest to the chair body with the screws



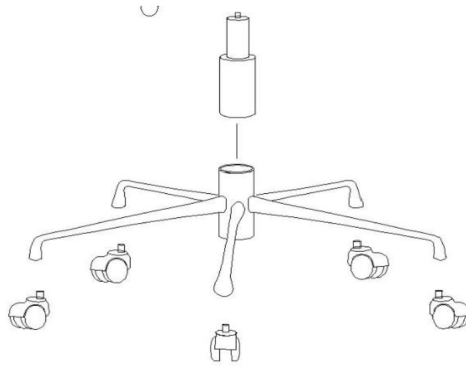
Step 2:

Attach the caster wheels to the Base



Step 3:

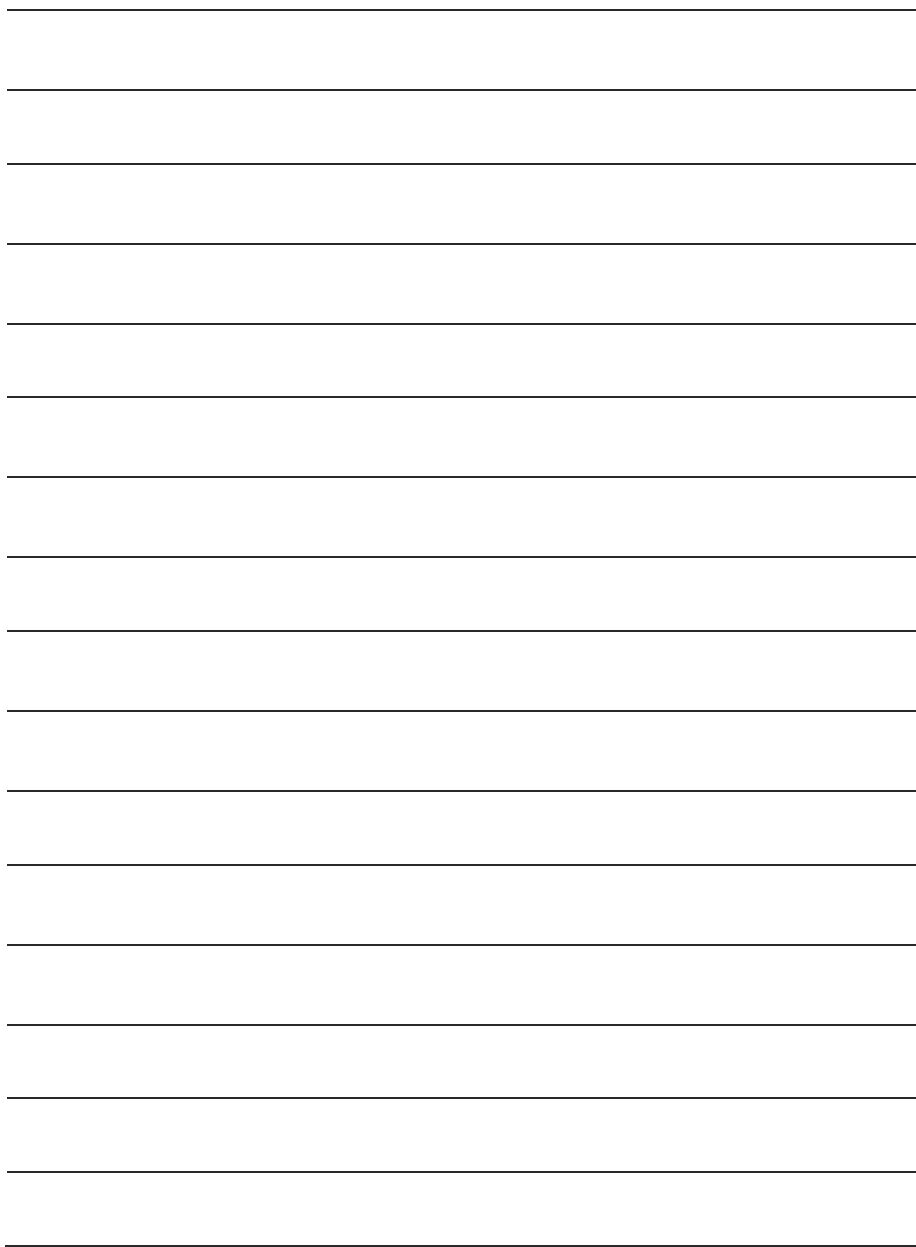
Attach the Gas Spring to the Base Assembly



Step 4:

Align the chair body with the gas spring and lower it onto the base assembly





NEED MORE INFORMATION?

We hope that this user guide has given you the assistance needed for a simple set-up. For the most up-to-date guide for your product, as well as any additional assistance you may require, head online to **help.mattblatt.com.au**

MATT BLATT