

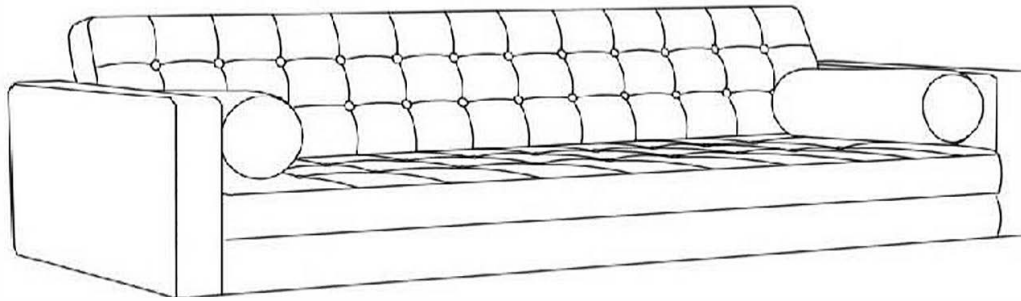
Marcella Velvet 3 Seater Sofa

User Guide

MATT BLATT

MBMARV2SSNA
MBMARV2SSBA
MBMARV2SSGA

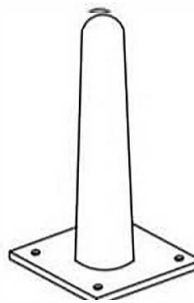
COMPONENTS



Sofa Body x1



Hex Screw (M6*30)
x16



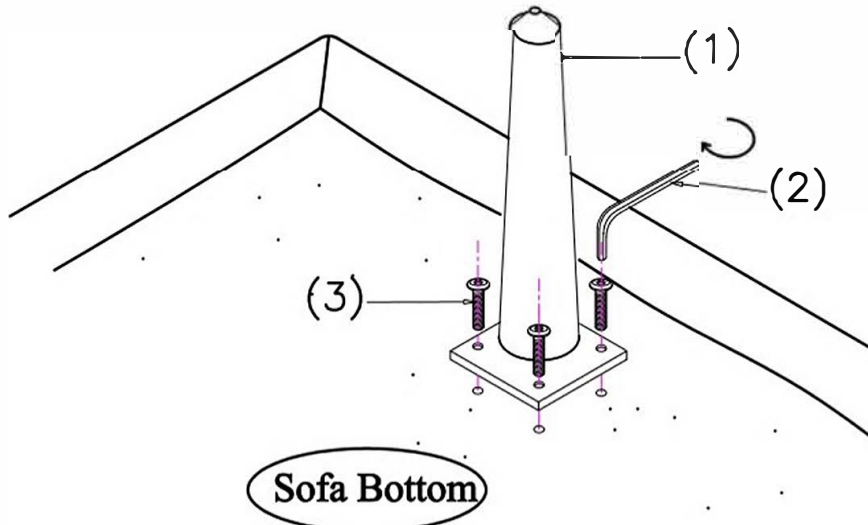
Sofa Legs (H 200) x4



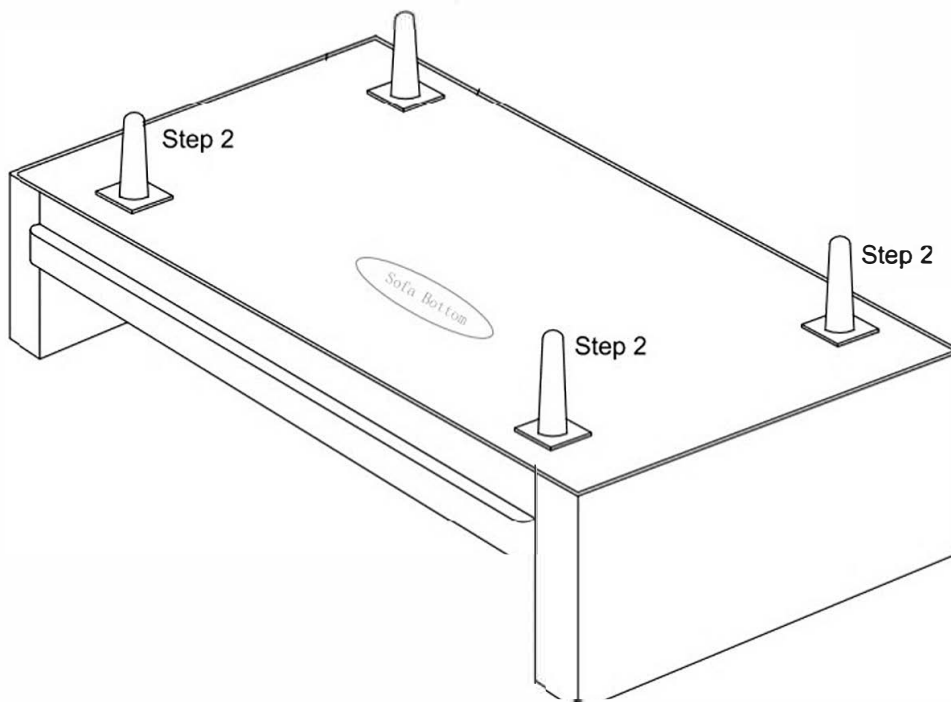
Inner Hexagon
wrench(L120 MS) x1

ASSEMBLY

Step 1: Assemble one leg.



Step 2: Assemble the rest 3 legs.



NEED MORE INFORMATION?

We hope that this user guide has given you the assistance needed for a simple set-up. For any additional assistance you may require, head online to **help.mattblatt.com.au**

MATT BLATT