



Matt Blatt Set of 2 Eames Premium DSW Chair Replica

User Guide

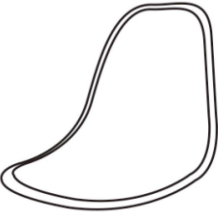
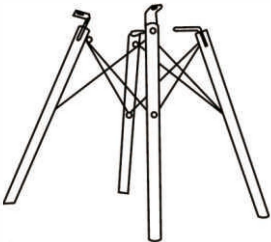



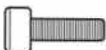
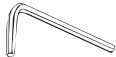
MATT BLATT

MBRDSW2CWWA
MBRDSW2CBWA
MBRDSW2CTWA
MBRDSW2CGWA
MBRDSW2CHWA
MBRDSW2CHBA
MBRDSW2CHTA
MBRDSW2CHYA

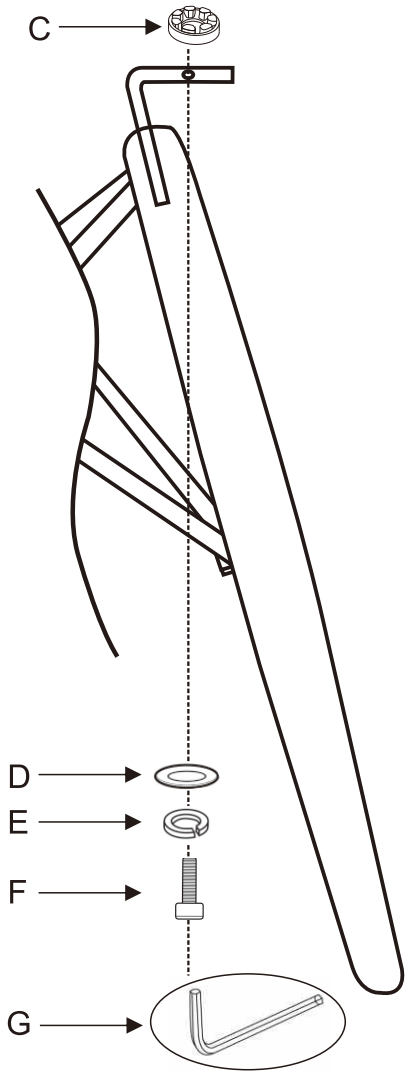
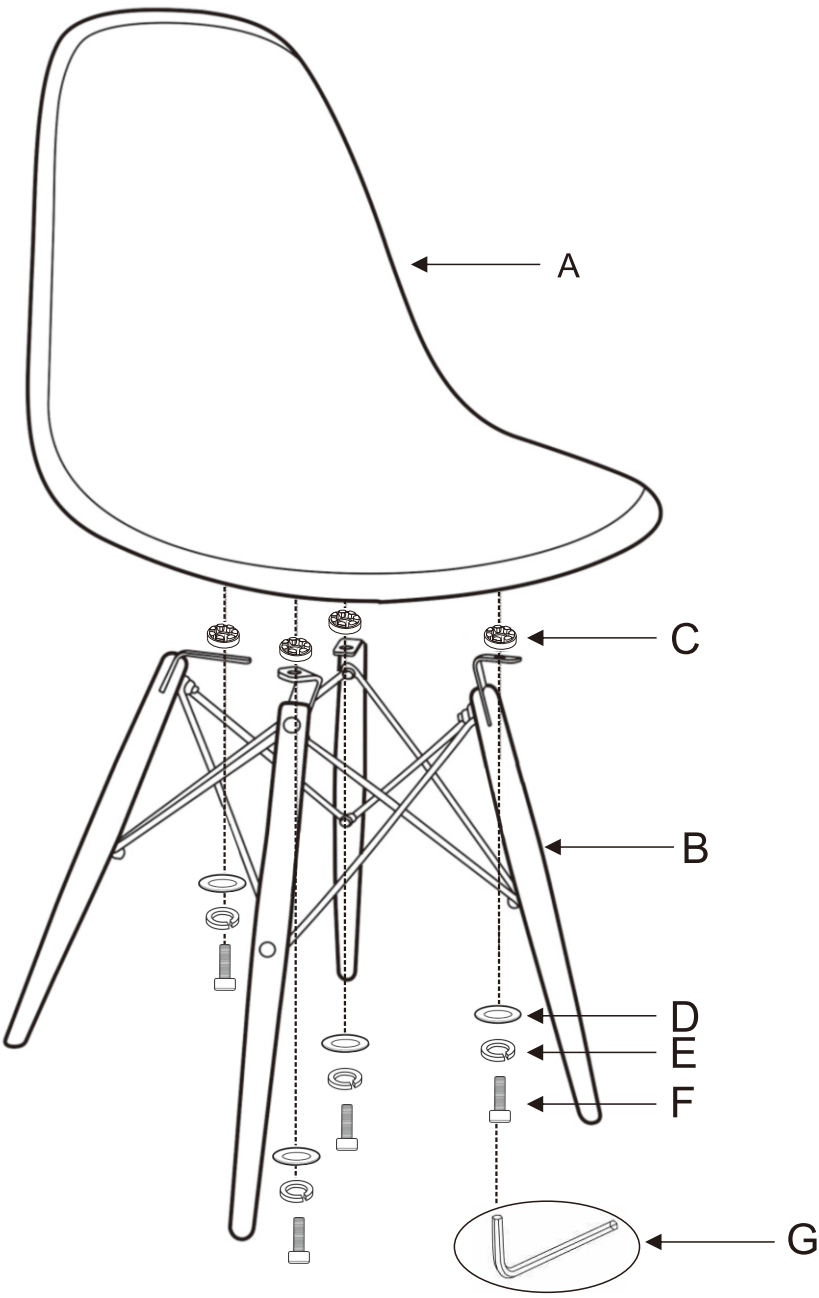
SAFETY & WARNINGS

- Read the instructions carefully prior to assembling the product.
- When you open the package with a sharp tool like a cutter knife, be careful not to damage the components inside.
- Carefully remove all packaging materials and retain for future use.
- Keep all hardware parts and packaging out of reach of small children.
- Choose a clean, level, spacious assembly area. Avoid hard surfaces that may damage the product.
- Ensure that you have all required contents for complete assembly.
- Take care when lifting. Assemble the product in close proximity to where you intend to position the item.
- Do not let children play with this product. Risk of suffocation! Keep any packaging materials away from children.
- When you have finished assembling the product, place it on a flat surface and make sure it is stable before use.
- Do not over tighten the screws and bolts as this may damage the threads.

COMPONENTS

A		x1
B		x1
C		x4
D		x4
E		x4
F		x4
G		x1

ASSEMBLY



NEED MORE INFORMATION?

We hope that this user guide has given you the assistance needed for a simple set-up. For any additional assistance you may require, head online to **help.mattblatt.com.au**

MATT BLATT