



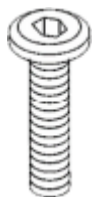
STROM DINING CHAIR

User Guide

MATT BLATT

MBSTOR2DCCA & MBSTOR2DCGA

COMPONENTS



A (x3)



B (x3)



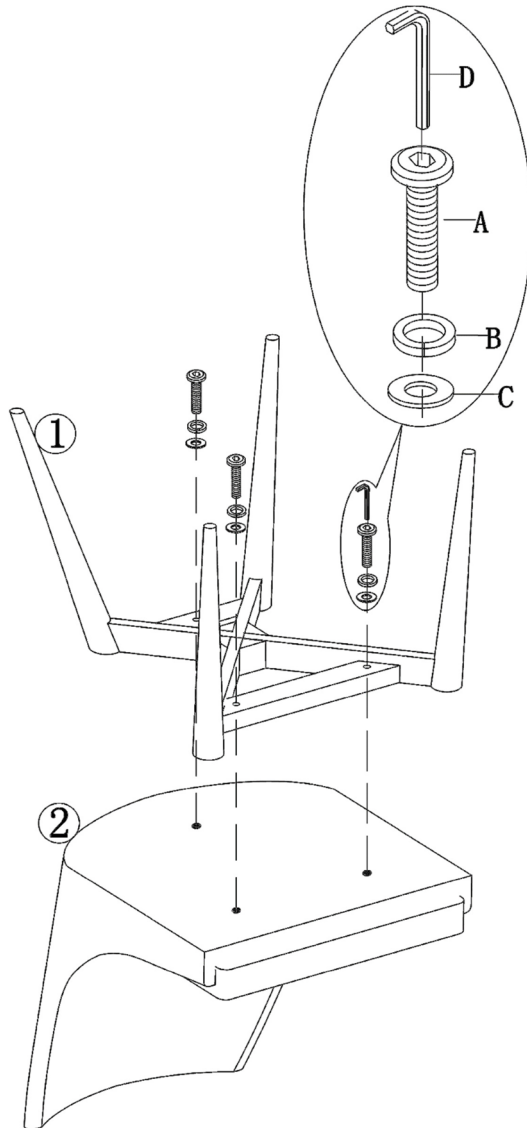
C (x3)

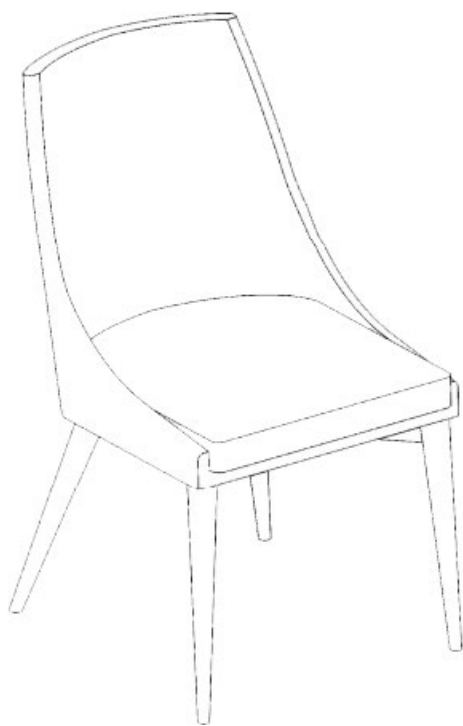


D (x1)

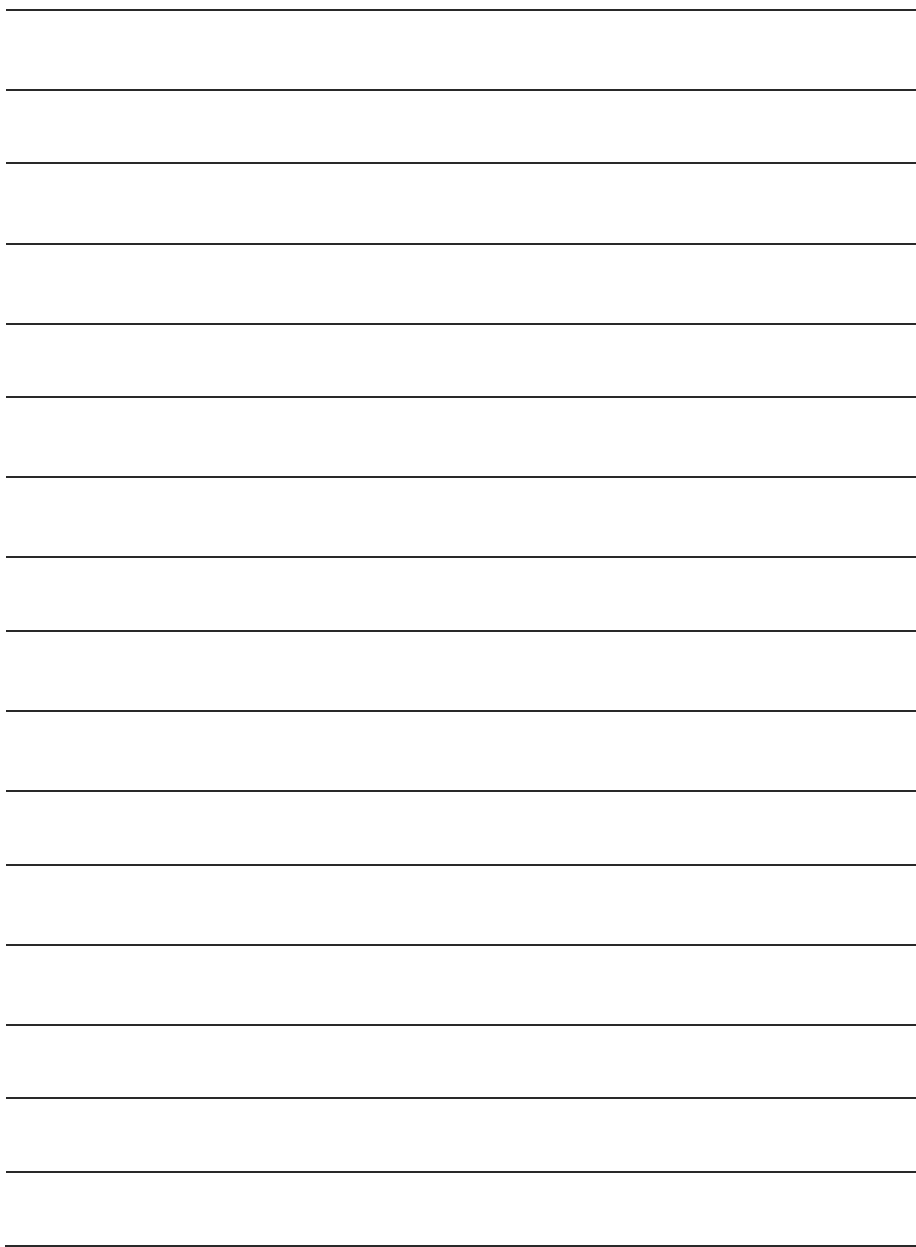
ASSEMBLY

Using the Allen Key (D), attach the Chair Seat Body (2) to the Leg Frame (1) using the washers (C), spring washers (B) and screws (A).





Complete!



NEED MORE INFORMATION?

We hope that this user guide has given you the assistance needed for a simple set-up. For the most up-to-date guide for your product, as well as any additional assistance you may require, head online to **help.mattblatt.com.au**

MATT BLATT