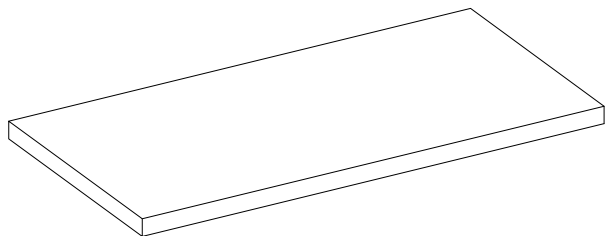


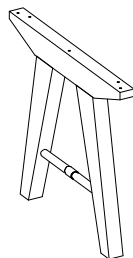
YANKEE CONCRETE DINING TABLE

User Guide

COMPONENTS



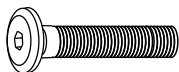
1 Top



2 Leg (x2)



3 Support (x4)



4 Bolt M8*45mm
(x12)



5 Washer M8*18mm
(x12)



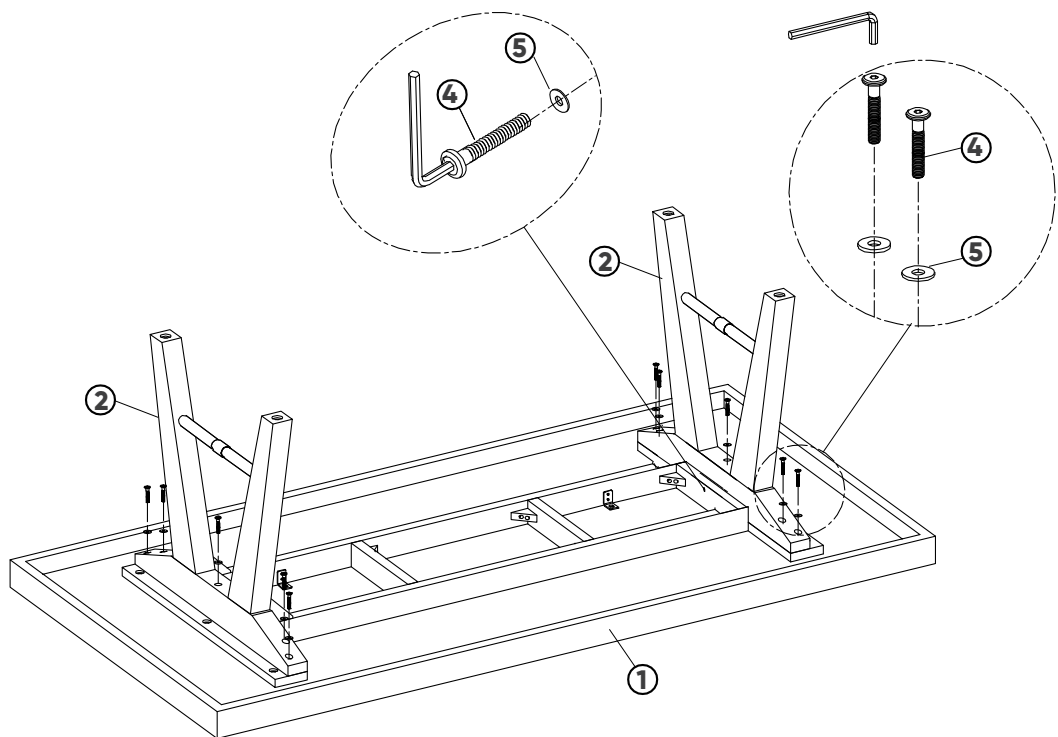
6 Screw M4*30mm
(x8)



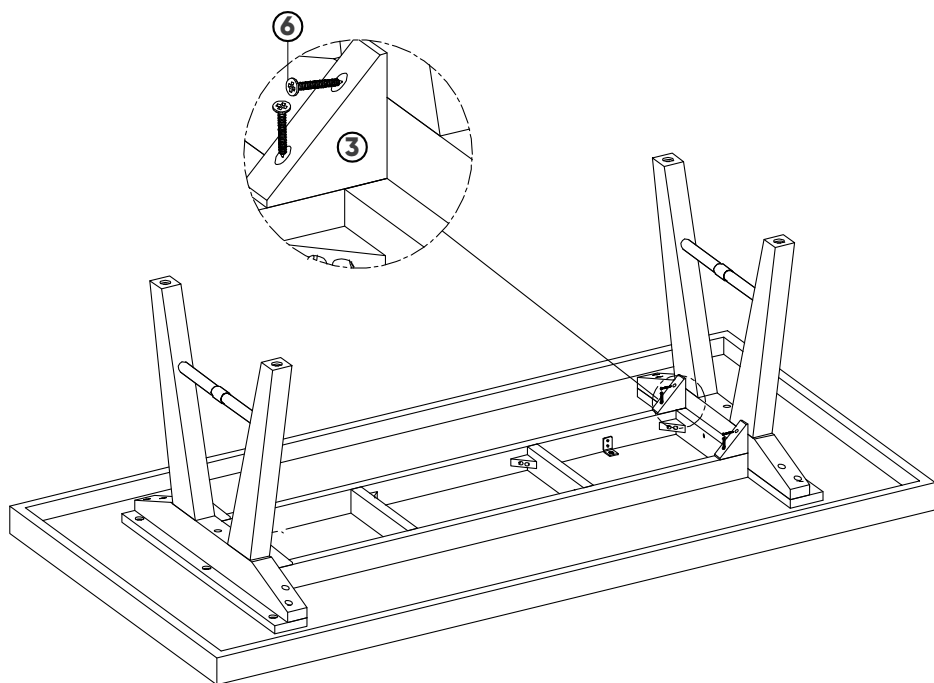
7 Allen key

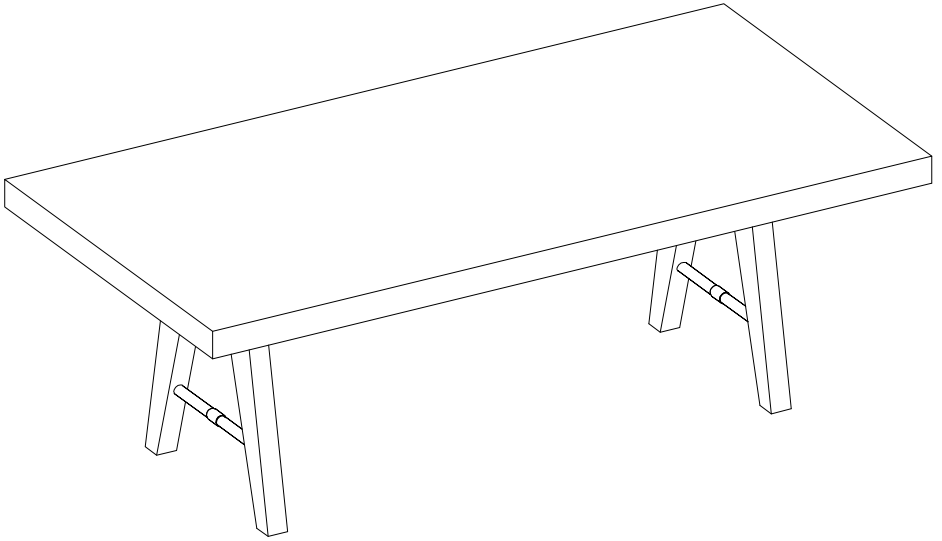
ASSEMBLY

Step 1: Attach the Leg to the Top with the bolts



Step 2: Attach the Support to the Leg and Frame with the screws





Complete!

NEED MORE INFORMATION?

We hope that this user guide has given you the assistance needed for a simple set-up. For any additional assistance you may require, head online to **help.mattblatt.com.au**

MATT BLATT