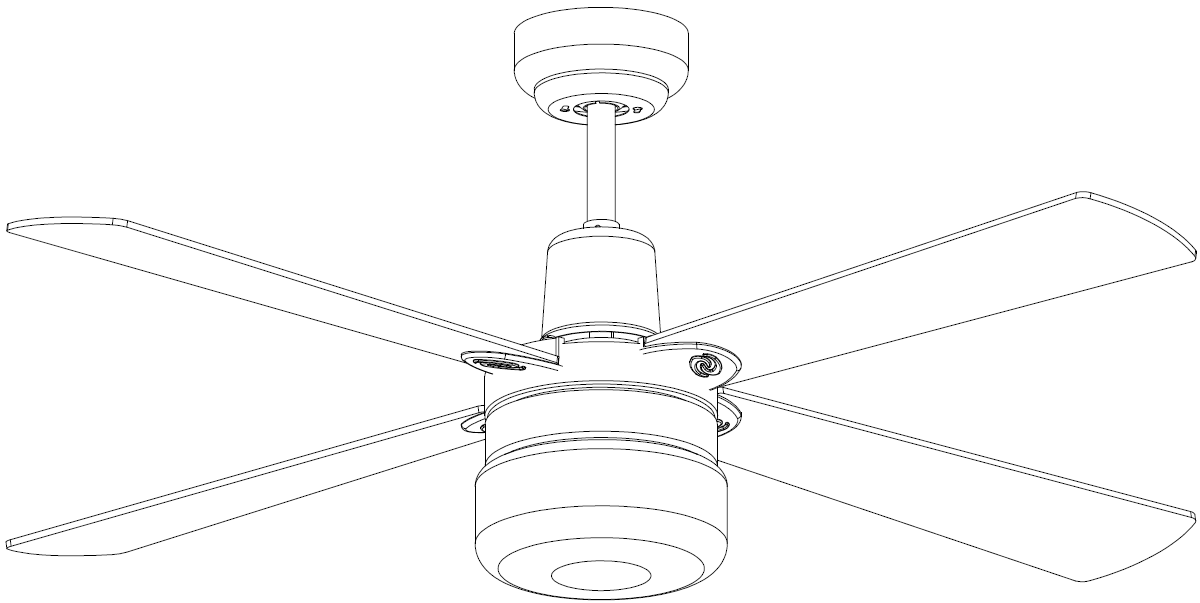




THE QUALITY BRAND IN FANS



CAUTION!

DO NOT THROW AWAY THIS BOOK! READ ALL INSTRUCTIONS CAREFULLY BEFORE INSTALLATION AND FAN OPERATION.

Minor design changes or otherwise may result in slight variations between the product illustrated and that which is contained within this package

INSTALLATION AND OPERATION INSTRUCTION BOOK, REV 1.0

KIMBERLEY-II SERIES

Models: FC132124WH, FC132124RWH, FC132124BC, FC132124RBC

CEILING FANS WITH LIGHT KIT AND/OR REMOTE CONTROLLER

TABLE OF CONTENTS

INTRODUCTION	1
SAFETY PRECAUTIONS.....	2
UNPACKING YOUR CEILING FAN.....	3
FAN INSTALLATION INSTRUCTIONS	4
WIRING DIAGRAM.....	6
REMOTE CONTROL OPERATION.....	8
INFORMATION FOR LICENSED ELECTRICIAN AND FAN OWNERS	9
IMPORTANT FACTS.....	10

INTRODUCTION

CONGRATULATIONS ON YOUR CHOICE




Thank you and we are delighted you have chosen a MERCATOR ceiling fan for your home. Please read all instructions carefully before assembly and use.

SAFETY NOTICES

WARNING / CAUTION

A WARNING / CAUTION notice denotes a hazard. It calls attention to an installation procedure, operating procedure, maintenance procedure, or the like, that if not correctly performed or adhered to, could result in damage to this appliance, personal injury or death. Do not proceed beyond a WARNING / CAUTION notice until the indicated conditions are fully understood and met.

SAFETY SYMBOLS

	Alternating current
	Protective earth
	Warning/Caution

SAFETY PRECAUTION

Please observe the following general safety precautions carefully before and during all phases of handling, installation, removal, operation and maintenance of this appliance. Failure to comply with these precautions violates safety standards of design, manufacture and intended use of the product. Mercator assumes no liability for customer's failure to comply with these requirements.

WARNING

GENERAL

1. Read all instructions and safety information. Review assembly diagrams provided before installing your new ceiling fan.
2. **This fan must be installed by a licensed and qualified electrician according to SAA and local authority regulations.**
3. This appliance is not intended for use by persons (including children) with reduced physical, sensory or mental capabilities, or lack of experience and knowledge, unless they have been given supervision or instruction concerning use of the appliance by a person responsible for their safety.
4. Young children should be supervised to ensure that they do not play with the appliance.
5. **All electrical works must only be undertaken after disconnection of the power by removing fuses or turning off the circuit breaker, to ensure all pole isolation of the electrical supply.**
6. Do not use outdoors where it could be exposed to water or moisture.
7. This manual is not intended to instruct or assist untrained or unqualified persons to install this ceiling fan.
8. **It is the responsibility of qualified, licensed installer and user to apply common sense and care at all times during installation and operation.**

CHOOSING A PROPER LOCATION FOR YOUR FAN

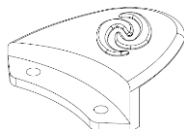
1. According to regulations and to provide a safe clearance from the floor, the lowest point on the fan blade must be at least 2.1 metres (7 feet) from the floor.
2. The chosen location for the fan must not allow the rotating blades to come into contact with any object.
3. Please check carefully and make sure that ceiling joists are strong enough and of adequate size to support the weight of the fan and the force of about 35 kg.
4. To reduce the risk of fire, electrical shock or personal injury, please make sure that the fan mounting bracket is directly supported from the building structure. Do not mount to an outlet box.
5. The mounting bracket must be firmly screwed to a load bearing building structure e.g. a concrete ceiling, steel structure, or a timber frame. If additional timber frames are to be added, those must be securely nailed or screwed between the beams.
6. Attach fan blades after the fan motor housing is installed and properly secured. Keep the fan motor and blades in the original package until it is ready to be installed.
7. Check and confirm, after the fan is completely installed, that all connections are proper and secure to prevent the fan from falling or causing property damages or personal injury.
8. Take care not to bend or damage the motor Drive Shaft or Fan Blades when handling or installing them. If such defect is noticed, please contact the Customer Service before installation of the ceiling fan.
9. Both the fan with light kit (accessory) and the hanging bracket must be earthed.
10. Use of an unapproved wall controller voids the warranty. Only Mercator wall controllers are approved for use with Mercator ceiling fans. Do not use solid state wall controllers.
11. This fan is compatible with some HOME IT systems. Please contact Mercator for further details.
12. Do not remove the fan from the ceiling after installation.
13. Make sure electricity is turned off at the main power box before commencing work. Turn off the power by removing fuse or turning off circuit breaker before installing the fan and replacing lamps.

UNPACKING YOUR CEILING FAN

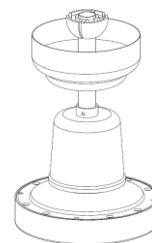
Open the original carton and verify the following items are available for the standard purchase of this product. If there are any missing or mechanically damaged items, contact the Mercator Customer Care. Do not throw away the carton or other packaging material as it may be needed if warranty replacement or repair is ever necessary.



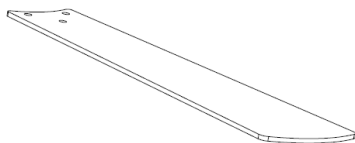
1 x Hanger Bracket



4 x Blade Holders



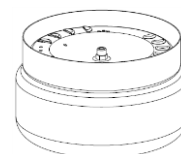
1 x Pre-assembled Fan Motor



4 x Blades



1 x Remote Controller
(ONLY FC132124R SERIES)



1 x Light Kit

BALANCING KIT & SCREWS
HARDWARE BAG

1 x

INSTRUCTION BOOK

1 x

WALL CONTROLLER

1 x
(ONLY FC132124 SERIES)

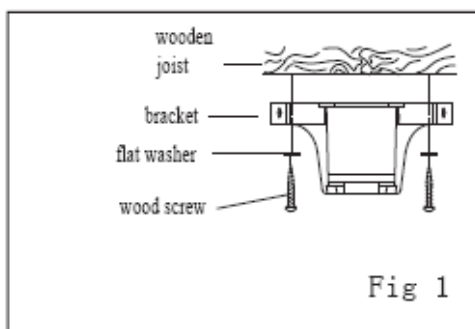
CAUTION

- Use of an unapproved wall controller voids the warranty. Therefore do not control the operation of this fan from any wall controller that is not approved by Mercator for use with this fan.
- Do not use solid state controllers.

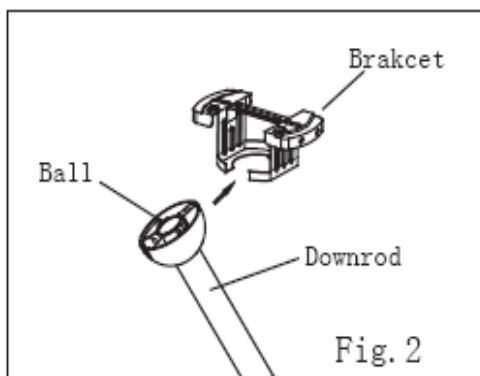
FAN INSTALLATION INSTRUCTIONS

⚠ WARNING

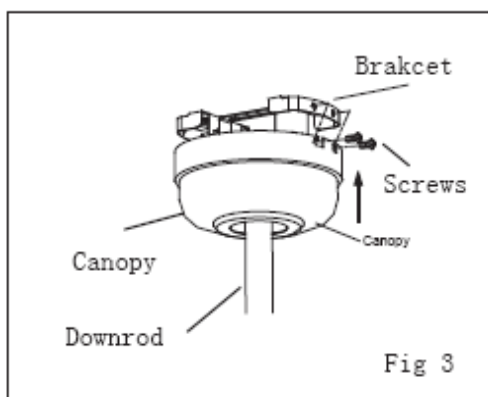
- Make sure electricity is turned off at the main power box before commencing work. Turn off the power by removing fuse or turning off circuit breaker before installing the fan and replacing the lamps.
- The lowest point on the fan blade must be at least 2.1 metres (7 feet) from the floor.
- Make sure that ceiling joists are strong enough and of adequate size to support the weight of the fan and the force of about 35 kg.



1. Secure the mounting bracket to the ceiling joist or suitable piece of timber inserted between the ceiling joists. The bracket should be attached with two 5 mm x 50 mm timber screws supplied (Fig 1)

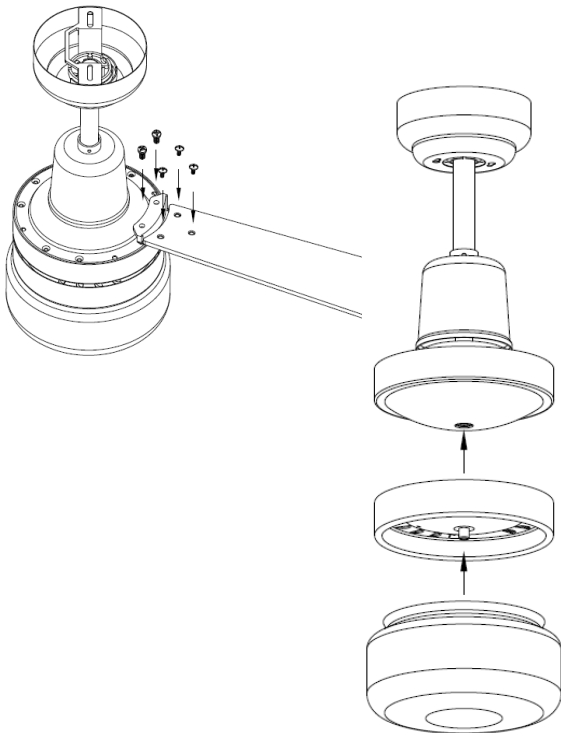


2. Install the ball joint into the mounting bracket opening. The tab opposite of the hanger bracket opening should fit in the slot on the ball (Fig 2)



3. Connect wires in accordance with the wiring diagram provided. Fan, hanger bracket and light kit must be earthed during installation. Attach the canopy to the hanger bracket by pushing up and twisting. Locate screws in keyholes and tighten. Be careful not to damage wiring (Fig 3)

FAN INSTALLATION INSTRUCTIONS



4. Fasten blade assembly, through blade fibre pad, to motor with provided screws and washers. Repeat procedure for remaining blades.

All blades are weighted and grouped accordingly, therefore care should be taken when installing more than one fan not to mix blade sets.

The following procedures should eliminate any wobble. Check for wobble after each step.

- a) Check that all blade brackets are tightened securely.
- b) Most wobble problems result from inconsistent blade level. To check blade level, measure the distance from each blade tip to the ceiling. If measurements are inconsistent, adjustments of brackets will be required.
- c) Wobble problem could also result from deviations in distance from blade to blade. To check blade separation, measure the distance from blade tip to blade tip. Should measurements vary, loosen screws connecting blades and brackets (one at a time) then shift the blade to proper position and re-tighten screws.

REVERSING SWITCH

Always ensure fan is set to 'OFF' and blades are stopped prior to changing direction of blades. Reverse switch on the fan should ideally be set on 'FORWARD' or "S" position during summer seasons to move blades in an anticlockwise direction & 'REVERSE' or "W" position during the cooler seasons to make the fan rotate in a clockwise direction.

⚠ WARNING

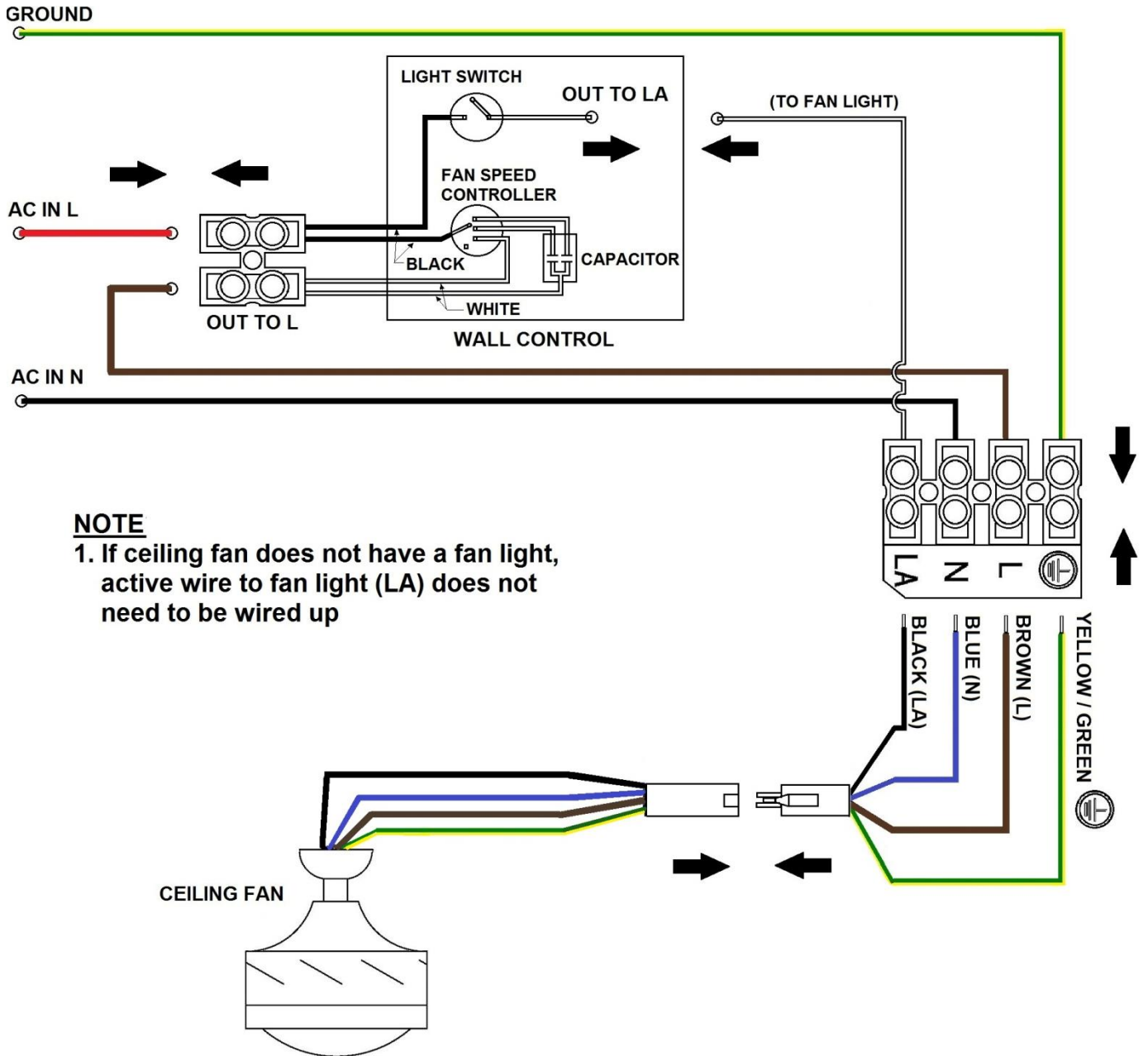
- Do not mount wall controller near heat producing equipment.
- Wall/remote controller provided is designed to be connected with the ceiling fan supplied in this package only. Other uses may cause personal injury or fire hazard.
- Use of wall/remote controller other than those approved by MERCATOR will void warranty.
- Make sure electricity is turned off at the main power box before commencing work. Turn off the power by removing fuse or turning off circuit breaker before installing the wall/remote controller.

WALL CONTROLLER INSTALLATION INSTRUCTIONS:

1. Disconnect the power and remove existing wall plate and switch (if any).
2. Set the speed control knob on the wall controller in the off position.
3. Tighten screws on the terminal blocks; make sure wire connections are wired correctly and secure.
4. Secure the wall controller to the wall with two screws provided.

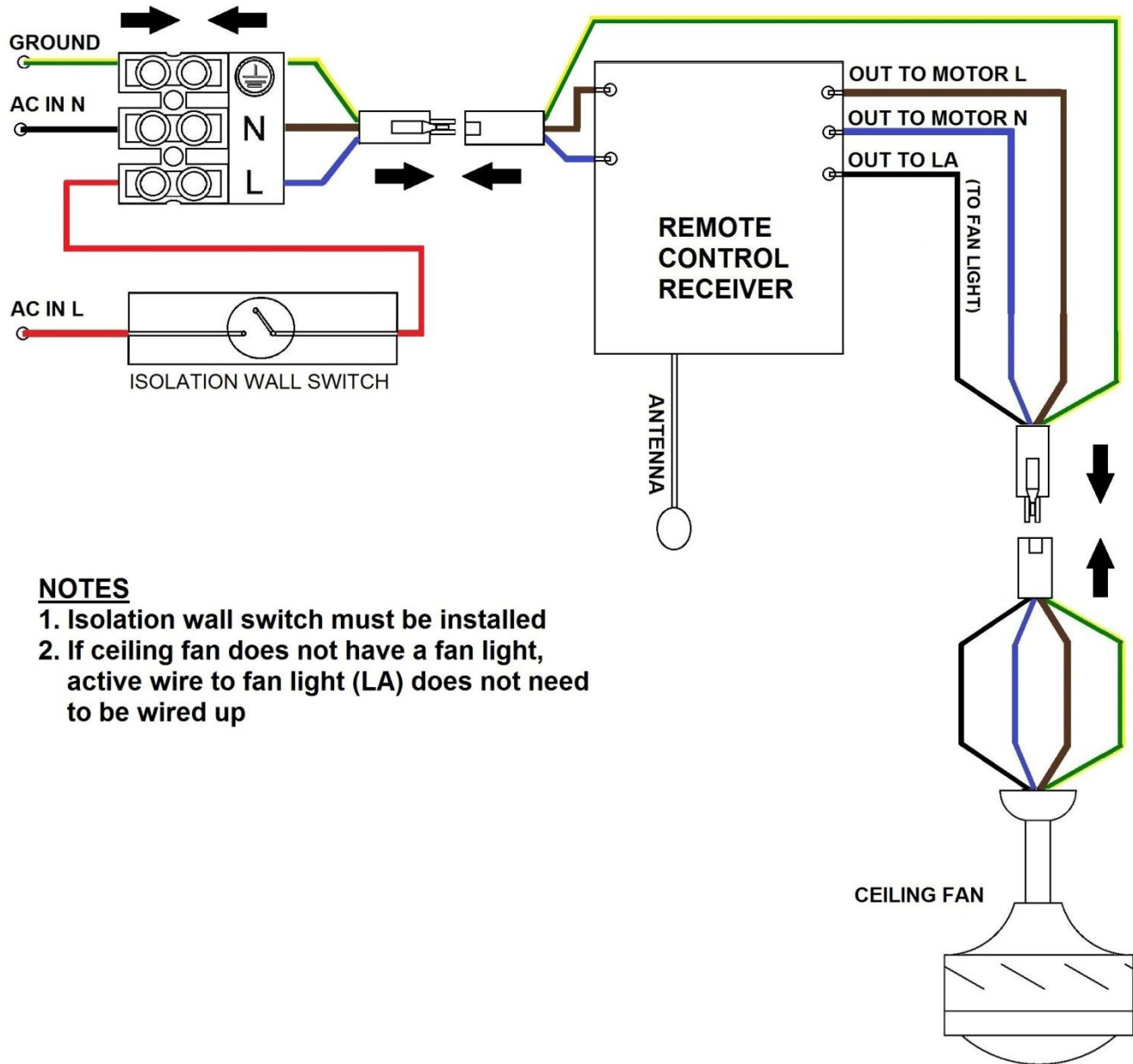
WIRING DIAGRAM

WIRING DIAGRAM FOR FAN CONTROLLED WITH WALL CONTROL



WIRING DIAGRAM

WIRING DIAGRAM FOR FAN CONTROLLED WITH REMOTE CONTROL (OPTIONAL)



NOTES

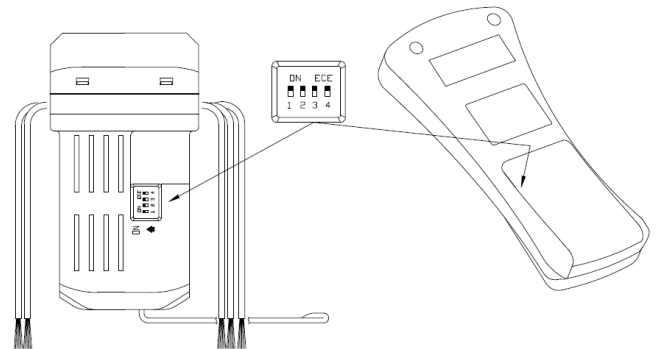
1. Isolation wall switch must be installed
2. If ceiling fan does not have a fan light, active wire to fan light (LA) does not need to be wired up

REMOTE CONTROL OPERATION



The instructions below apply only to remote controller that comes with FC132124R series ceiling fans.

CODE SWITCH

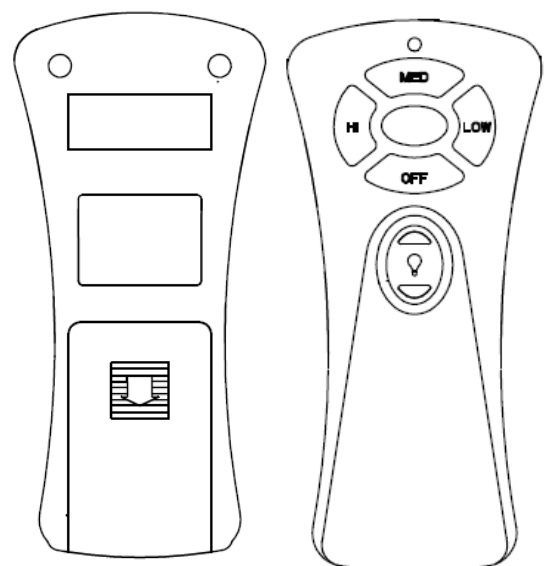
1. CODE SWITCH: Codes are set by pushing dip switches up or down. It is imperative that the code used for both transmitter and receiver is exactly the same; otherwise remote controller will not work. Please note the code switch will enable you to operate a second remote controller independently. For example, if you have two ceiling fans with 2 remote control units, set 2 different codes for each set of transmitter/receivers. This means you can operate each ceiling fan independently.
2. Your remote control is ready for use after a 9V battery installation.



FUNCTIONS OF TRANSMITTER

- HI: Press once to turn on the fan at high speed
MED: Press once to turn on the fan at medium speed
LOW: Press once to turn on the fan at low speed
OFF: Press once to turn off the fan
LIGHT:  Press once to toggle the light on or off
 Reserved button (no function)

Note : You must replace new battery when its voltage is running low. It is a sign of weak battery when the transmitter needs to be held at an increasingly closer distance to fan in order to work.



INFORMATION FOR LICENSED ELECTRICIAN AND FAN OWNERS

Please read fault finder before calling for warranty.

1. FAN WILL NOT START

- I. Check that mains circuit breakers are in the ON position.
- II. Check that isolation wall switch is in the ON position.
- III. Check that speed control knob/pull chain is NOT in the OFF position.
- IV. Check that reverse control switch (if any) is FULLY turned to up (left) or down (right) position.
- V. Check that batteries in the remote handset (if any) are in good condition.
- VI. Check that transmission code setting (if any) on remote control handset and receiver is identical.
- VII. Check that live, neutral, ground and light (if any) wires from isolation wall switch, remote receiver (if any) through to fan are all wired correctly in accordance with wiring diagram.
- VIII. Check that all wire connections at wall switch, wire connector and/or terminal block are secured (not loosened).

2. FAN SOUNDS NOISY.

- I. Check suggested bulbs and fully tighten light fitting (version with light).
- II. Re-tighten all screws on fan blades (do not over tighten).
- III. Re-tighten all screws in the hanging bracket and covering plate.

3. MECHANICAL NOISE

- I. Let the fan run for about 8 hours for settling in period.

4. FAN TURNS BUT DOES NOT MOVE MUCH AIR

- I. The fan may be running in reverse (for fans with reverse running option).
- II. The distance from the ceiling to the fan blades is too small.
- III. The room may contain items which obstruct the air flow.
- IV. The fan may be too small for the size of the room.

IMPORTANT FACTS

All electric motors, including fan motors make some noise and may feel hot to touch - this is not a fault. Ceiling fans tend to move during operation as they are not generally rigid-mounted. Rigid mounted ceiling fans generate excessive vibration and stress on their mountings.

Movement of a couple of centimetres is quite normal and does not suggest the fan will fall down.

Please note - all ceiling fans are not the same, even in the same model some may move more or less than others.

Fan lights can rattle, if they are not supplied with the fan. They are not covered by warranty.

FAN OPERATION

A ceiling fan is an environmentally smart choice when it comes to cooling as well as helping to warm your room. You should see a reduction in both cooling and heating costs by regular use of your fans. Do not hesitate to use your fans in both summer and winter months.

In summer place the reverse switch in the downward position (fans should spin in anti clockwise direction) so cool air is blowing down producing a cool breeze.

In winter, reverse the switch (fan should spin in clock wise direction) so that an upward airflow will push warm air off the ceiling and circulate it downwards into the living areas. In winter months use the fan on a lower speed than in summer.

Make sure fan is off and blades have stopped spinning before changing the summer/winter switch.

NORMAL WEAR AND TEAR.

Threaded components working slightly loose, or blade carriers becoming slightly bent due to vigorous cleaning or bumping can cause extra wobble and noise. This is not covered under warranty, but a little care and maintenance can reduce or prevent this problem.

NIGHT NOISES

This is the biggest cause of service calls, which are outside the manufacturer's warranty. If a fan has a fault it will be noticeable at all times. Naturally when everything is quiet at night you will be more inclined to hear small noises, which may not be noticeable at other times. Even slight signals super imposed in your electricity supply for off peak hot water control may cause a change in the fan motor noise. This is normal.



PLEASE RECYCLE ALL PACKAGING MATERIAL SUPPLIED WITH THIS PRODUCT