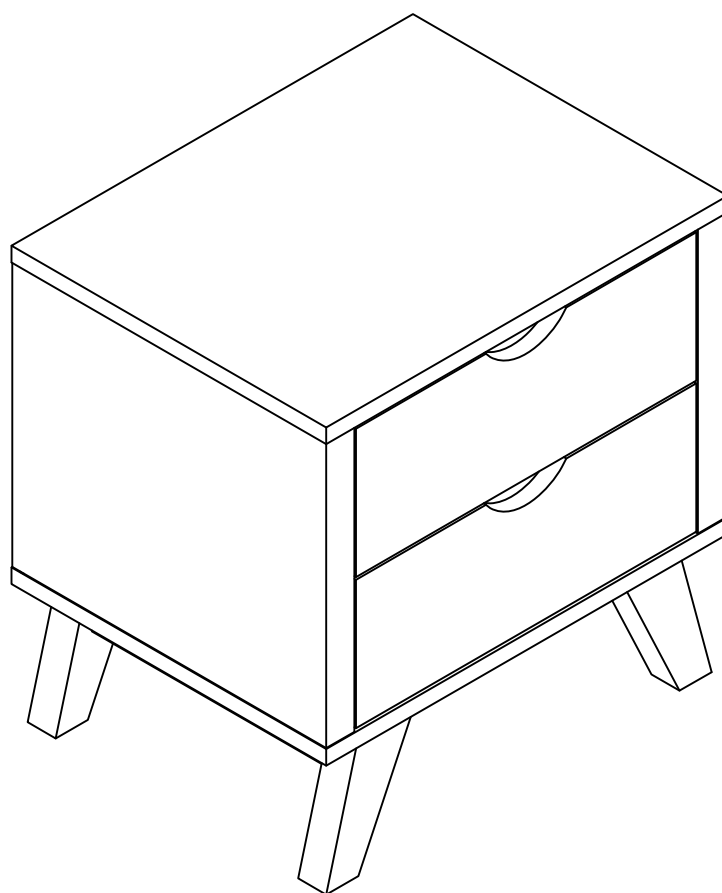


Assembly Instructions

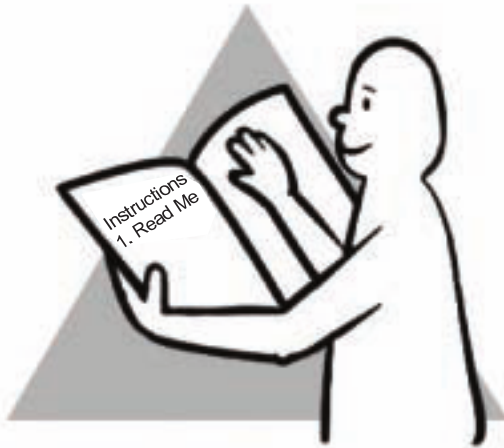
OVELA 2 Drawer Bedside



STOP!

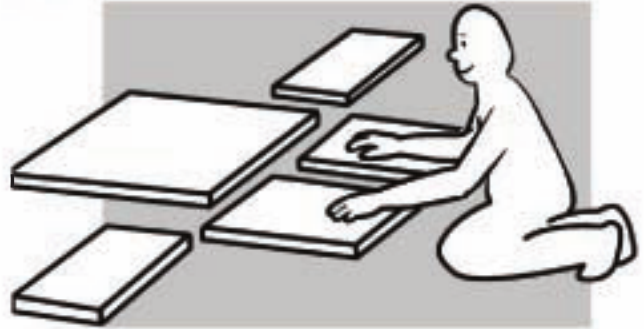
Before you start...

1



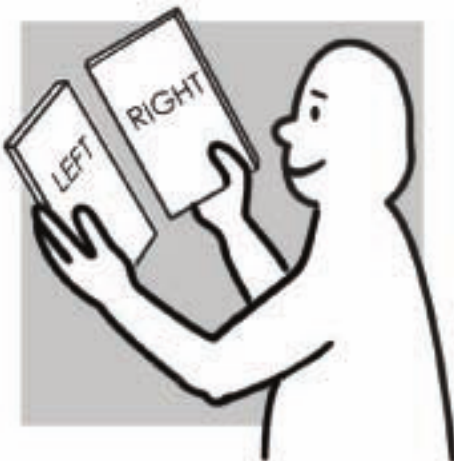
Read instructions carefully.

2



Lay out all of the components on a soft surface as if you were preparing to do a jigsaw puzzle.

3



Carefully identify each component, especially those that are similar. The most common mistake is getting things back to front.

4



Separate and identify each component from the hardware pack and rest each one in its proper location before fastening.

5



Do not over-tighten screws.

6

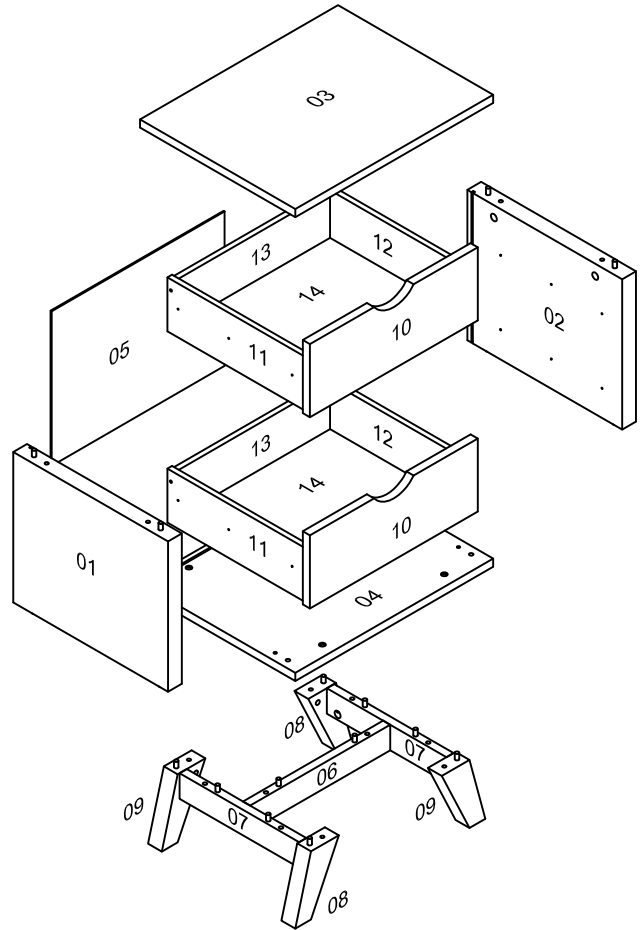
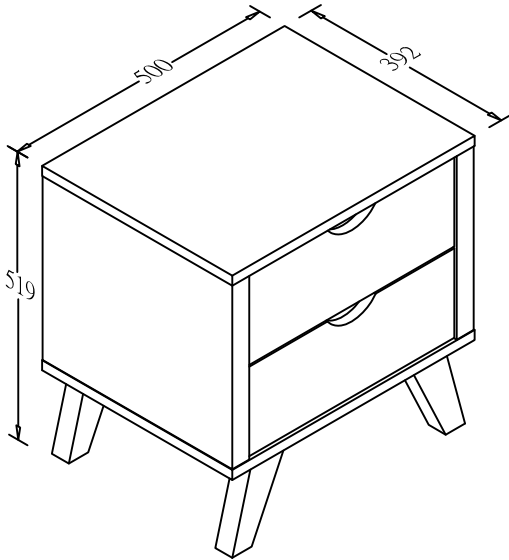


Do not set glue until you are certain that the parts belong together.

HERE'S HOW









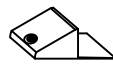






OVELA 2 Drawer Bedside

SOME STEPS MAY REQUIRE TWO PEOPLE.

TOOLS REQUIRED



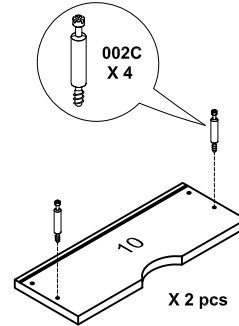
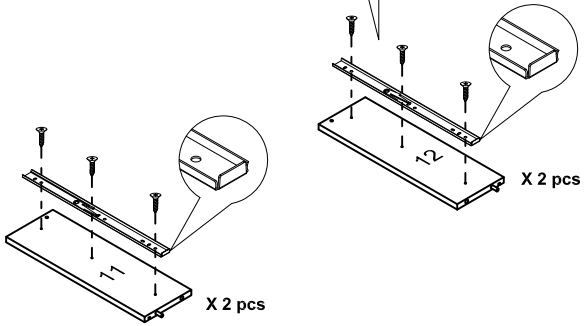
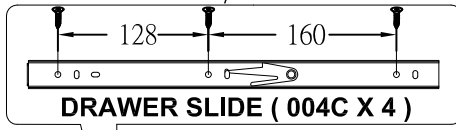
- | | | | | | | | | | |
|--|---|---|---|---|---|--|---|---|---|
|  |  |  |  |  |  |  |  |  |  |
| 001C | 002C | 003C | 004C | 005C | 006C | 007C | 008C | 009C | 010C |
| X 10 | X 14 | X 4 | X 4 | X 4 | X 4
4x32mm | X 4
5.5x45mm | X 1 | X 4 | X 4
3x18mm |
|  |  |  |  |  | | | | | |
| 011C | 012C | 013C | 014C | 015C | | | | | |
| X 1 | X 4 | X 4
6x40mm | X 6
6x60mm | X 24
3.5x12mm | | | | | |

NOTE: Drawer runners (part 004C+005C) pre-attached, pull open and press small plastic lever while pulling to separate.

STEP 1

Will require these parts:

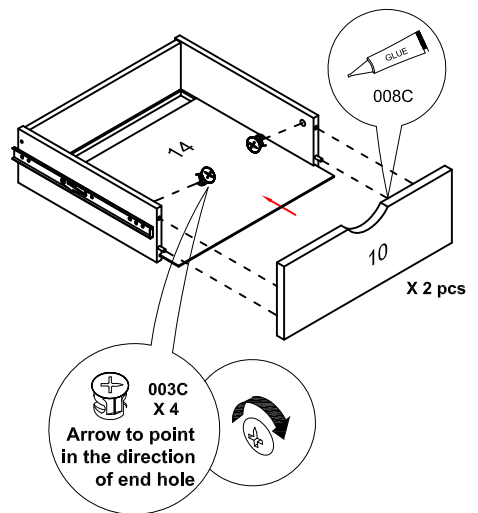
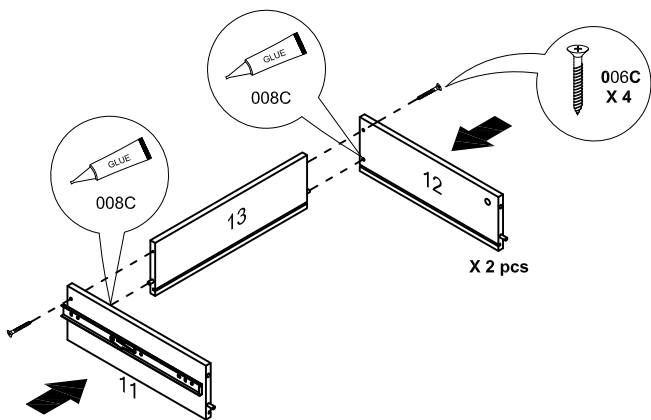
- 015C X 12
- 004C X 4
- 002C X 4



STEP 2

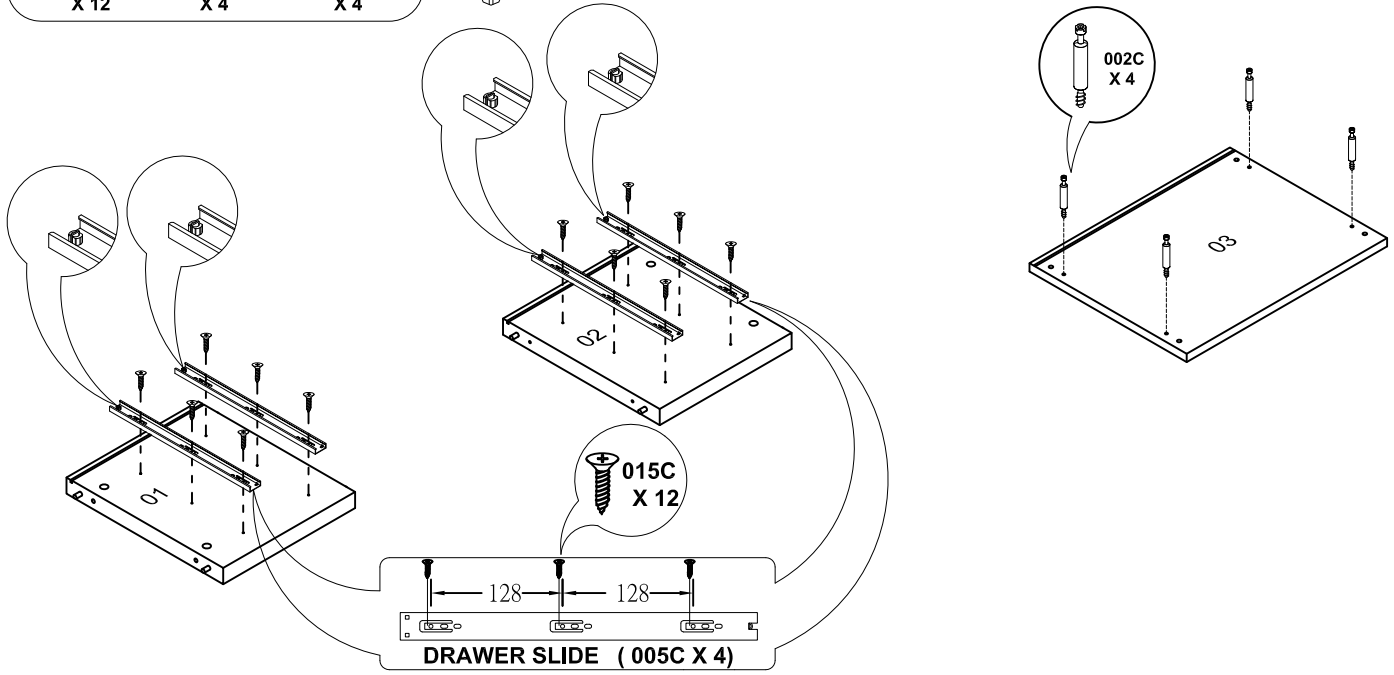
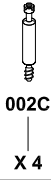
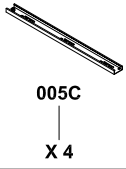
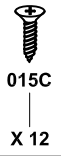
Will require these parts:

- 003C X 4
- 006C X 4
- 008C



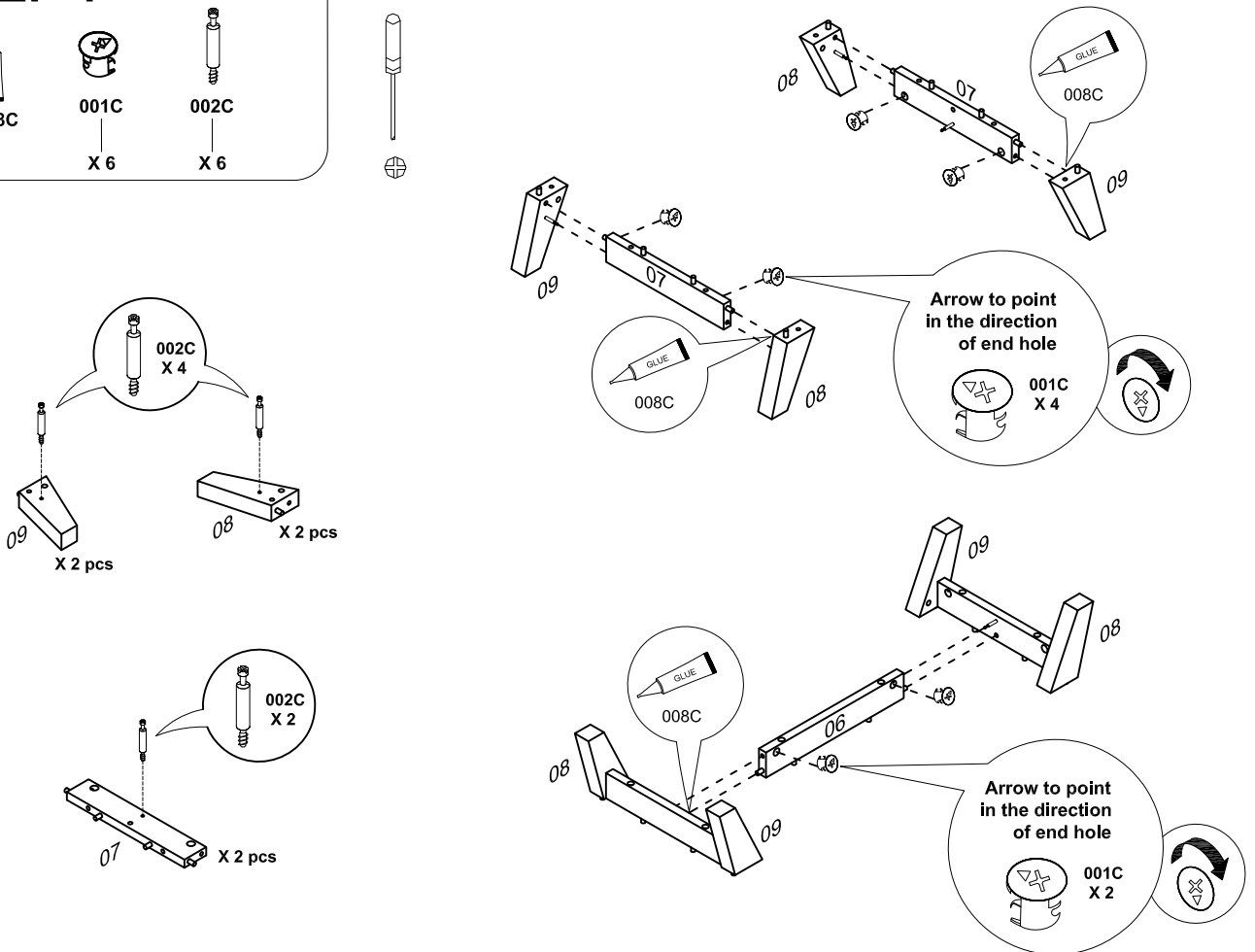
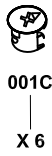
STEP 3

Will require these parts:



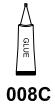
STEP 4

Will require these parts:



STEP 5

Will require these parts:



008C



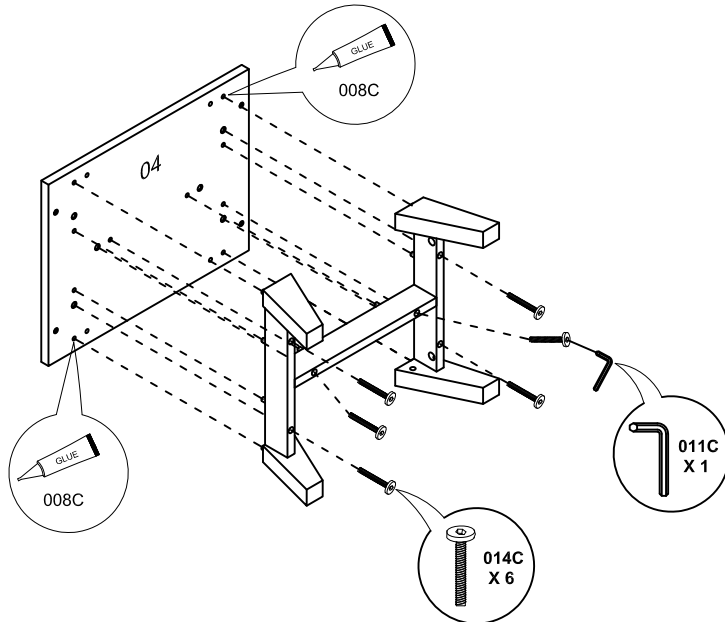
011C

X 1



014C

X 6



STEP 6

Will require these parts:



011C

X 1



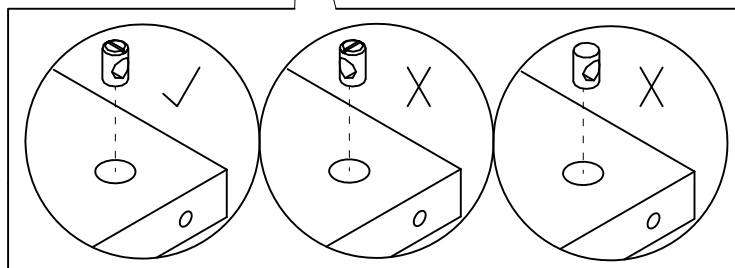
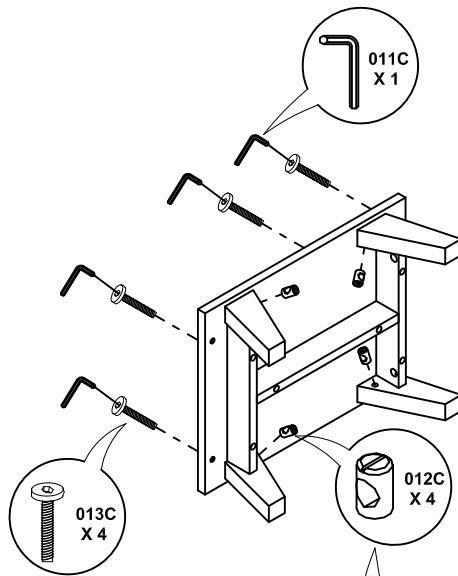
012C

X 4



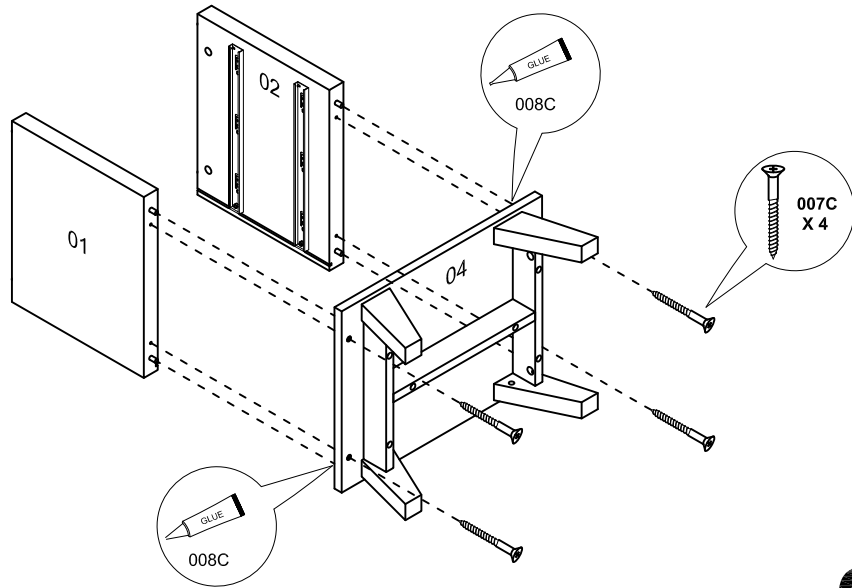
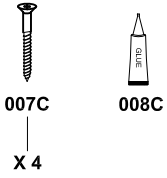
013C

X 4



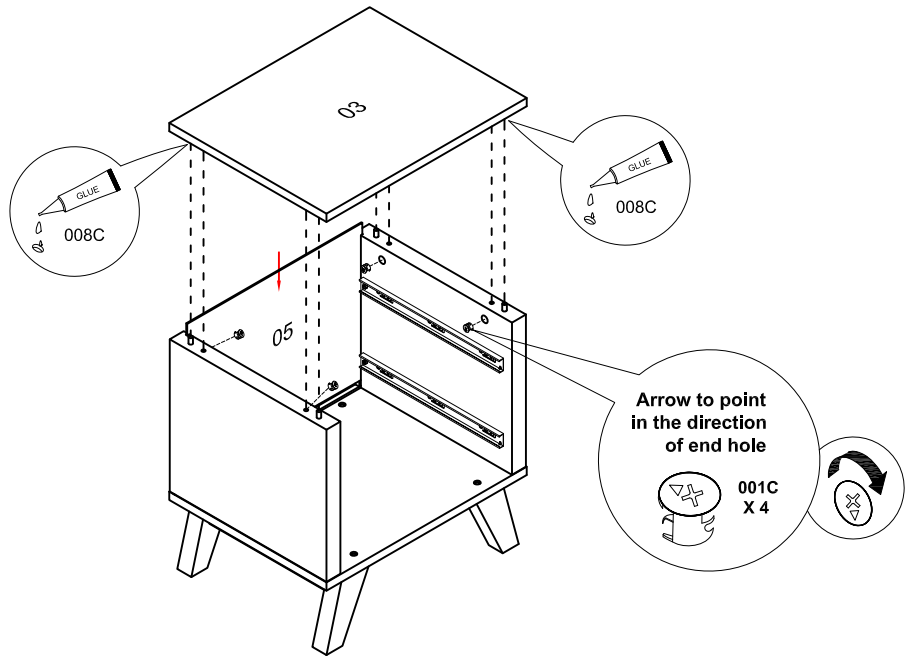
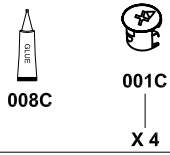
STEP 7

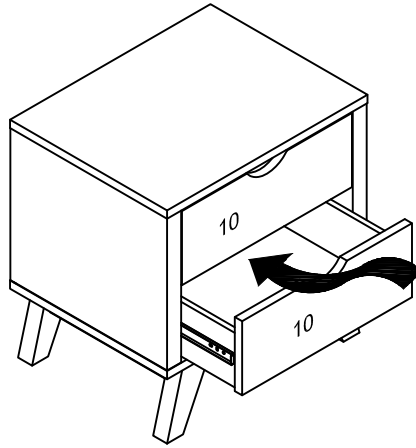
Will require these parts:



STEP 8

Will require these parts:





STEP 10

Will require these parts:



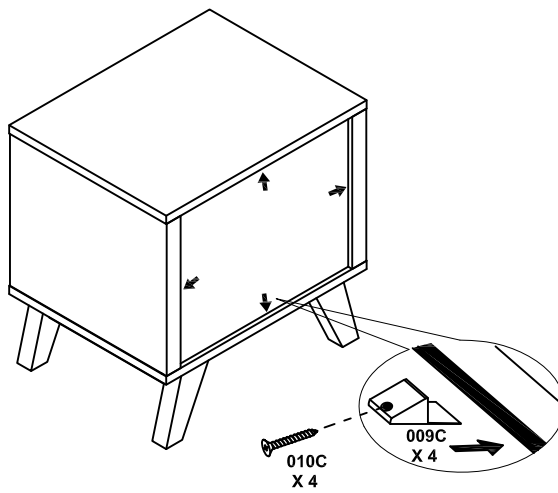
009C

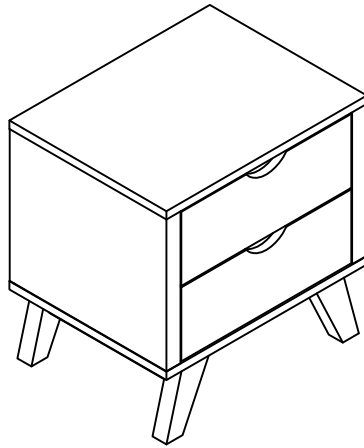
X 4



010C

X 4





The job is now complete!

**In the interest of our environment
please dispose of all packaging thoughtfully.**