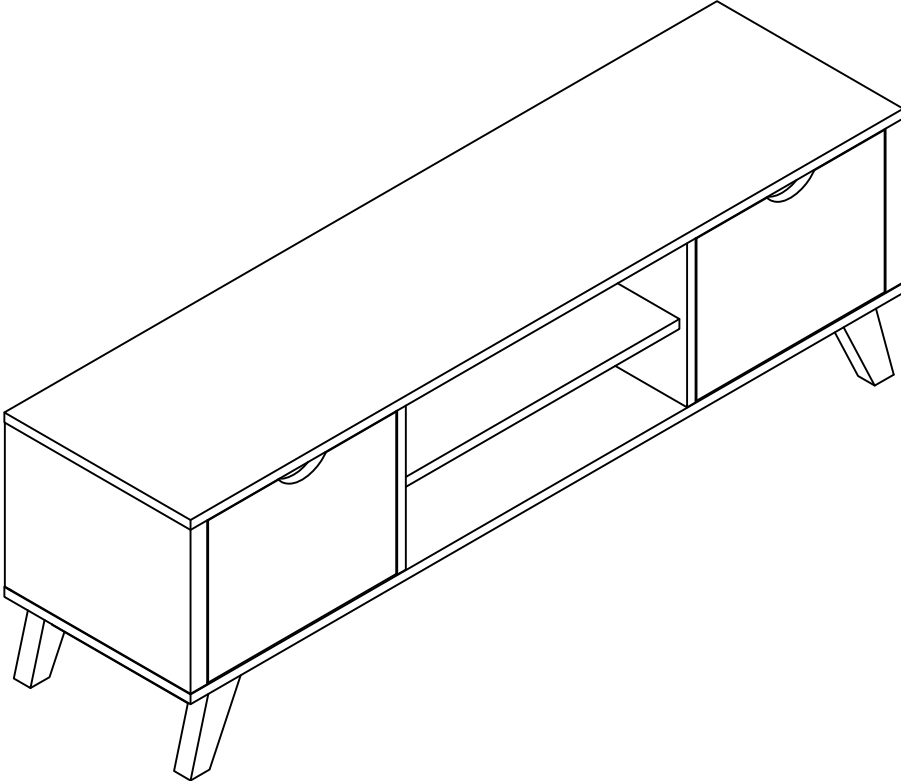


Assembly Instructions

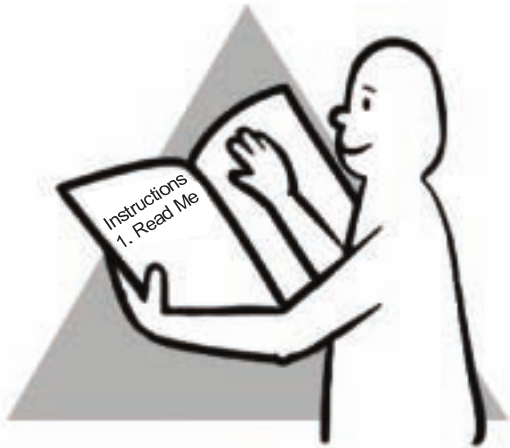
OVELA 2 Drawer TV Stand



STOP!

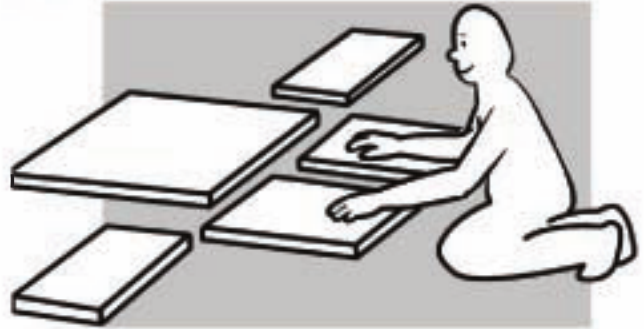
Before you start...

1



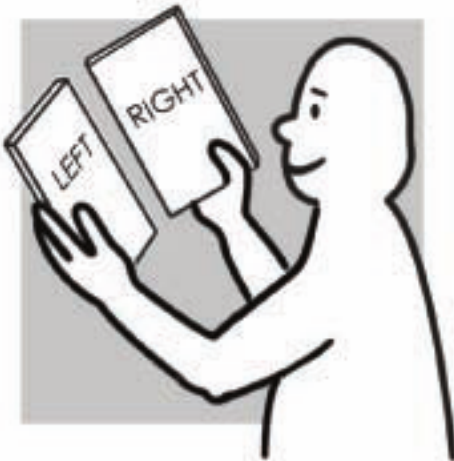
Read instructions carefully.

2



Lay out all of the components on a soft surface as if you were preparing to do a jigsaw puzzle.

3



Carefully identify each component, especially those that are similar. The most common mistake is getting things back to front.

4



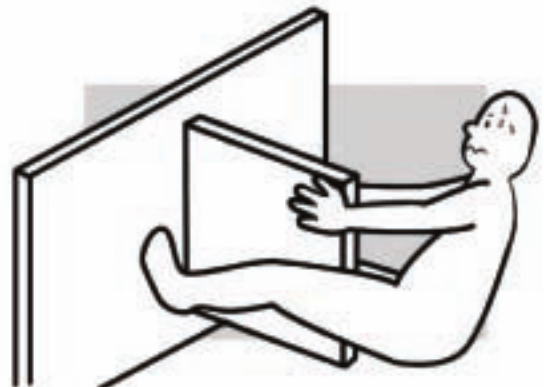
Separate and identify each component from the hardware pack and rest each one in its proper location before fastening.

5



Do not over-tighten screws.

6

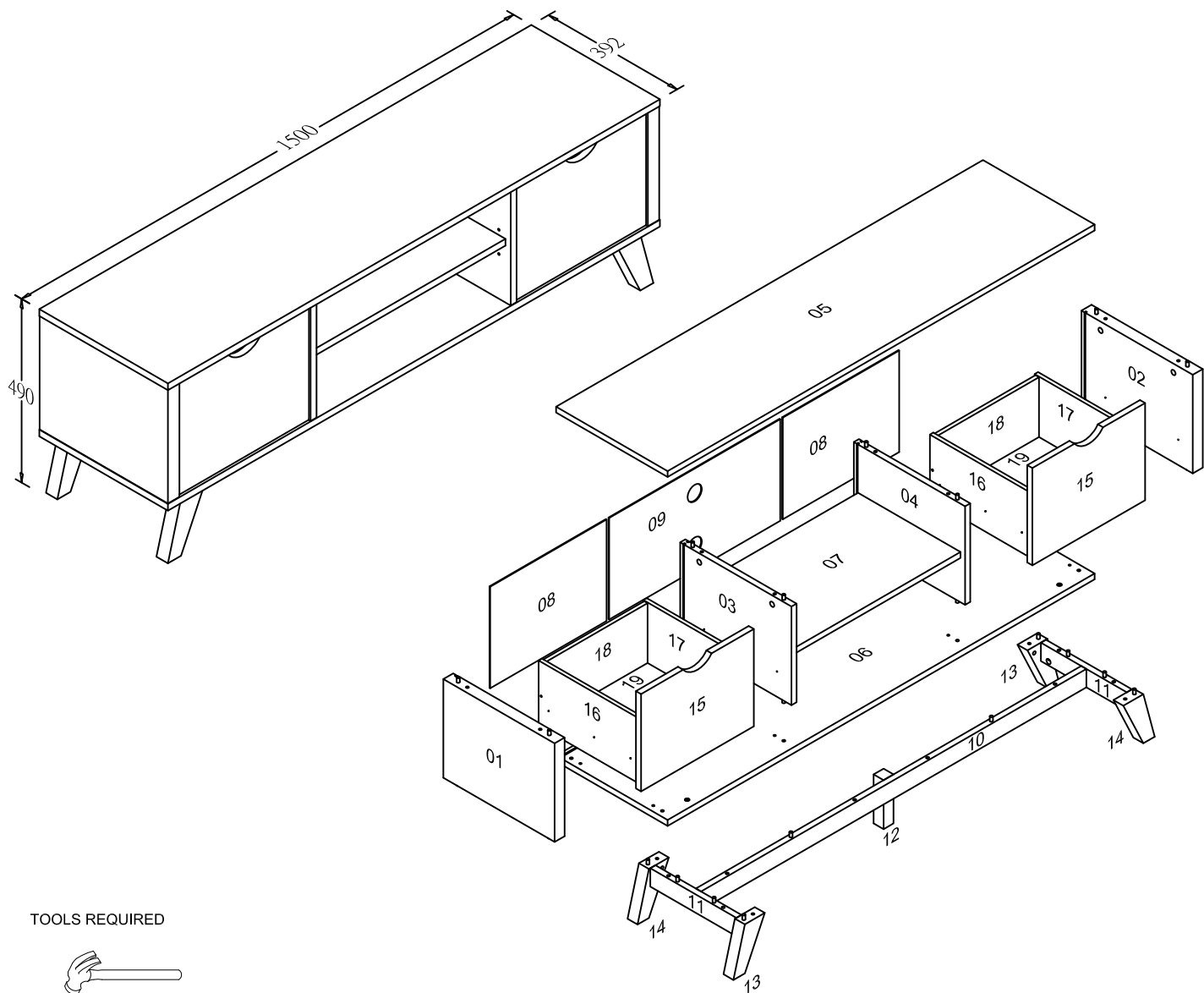


Do not set glue until you are certain that the parts belong together.

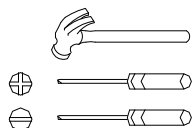
HERE'S HOW

OVELA 2 Drawer TV Stand

SOME STEPS MAY REQUIRE TWO PEOPLE.









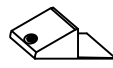








TOOLS REQUIRED



CHECK YOUR COMPONENTS



DENOTES RAW EDGE OR SURFACES

- | | | | | | | | | | |
|--|---|---|---|---|---|--|---|---|---|
|  |  |  |  |  |  |  |  |  |  |
| 001C | 002C | 003C | 004C | 005C | 006C | 007C | 008C | 009C | 010C |
| X 14 | X 22 | X 8 | X 4 | X 4 | X 6
4x32mm | X 8
5.5x45mm | X 1 | X 12 | X 12
3x18mm |
|  |  |  |  |  |  |  | | | |
| 011C | 012C | 013C | 014C | 015C | 016C | 017C | | | |
| X 1 | X 4 | X 4
6x40mm | X 8
6x60mm | X 4 | X 4 | X 24
3.5x12mm | | | |

STEP 1

Will require these parts:



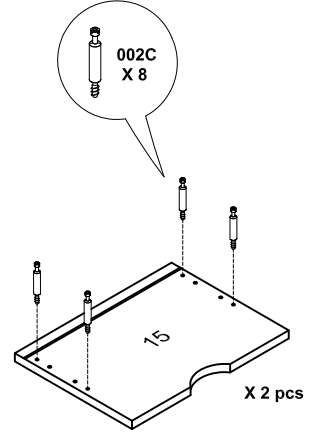
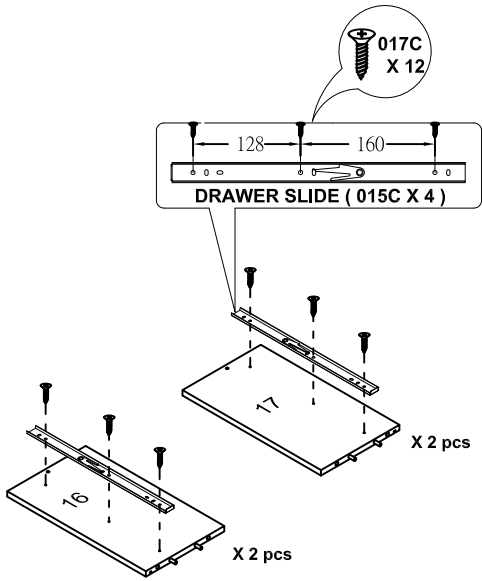
017C
X 12



015C
X 4



002C
X 8



STEP 2

Will require these parts:



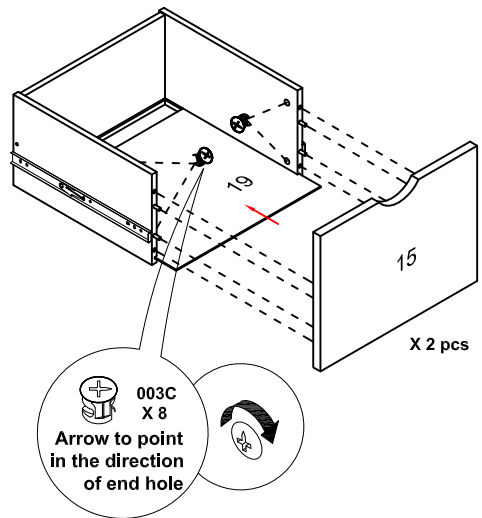
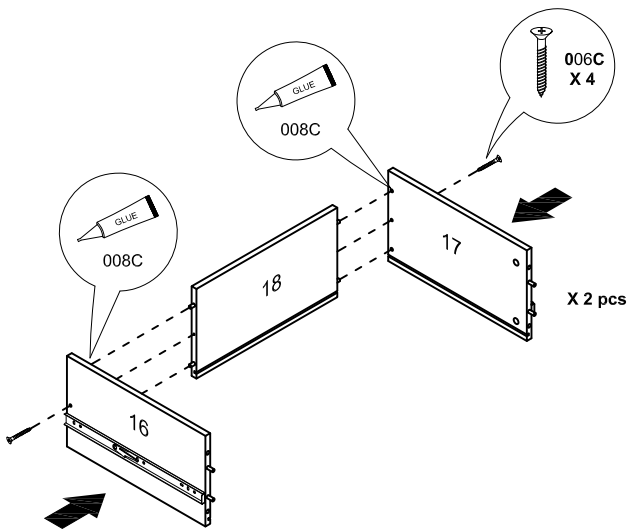
003C
X 8



006C
X 4



008C

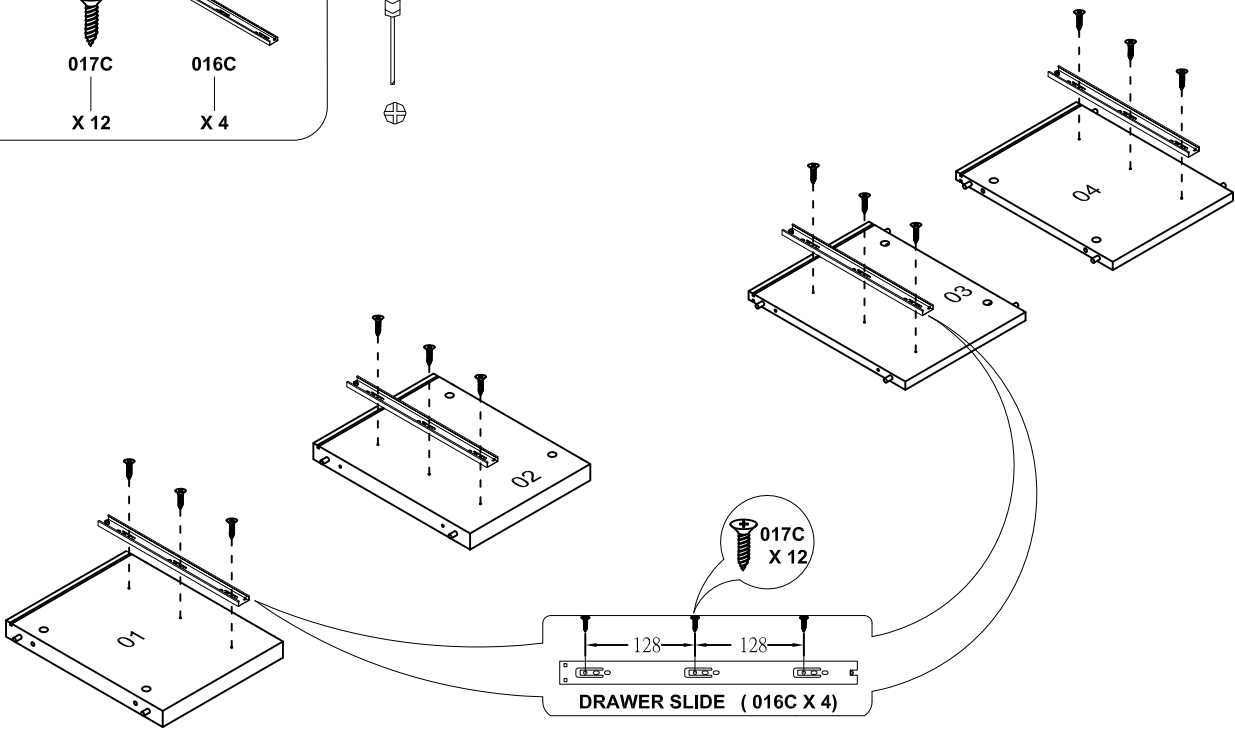


STEP 3

Will require these parts:

017C
X 12

016C
X 4



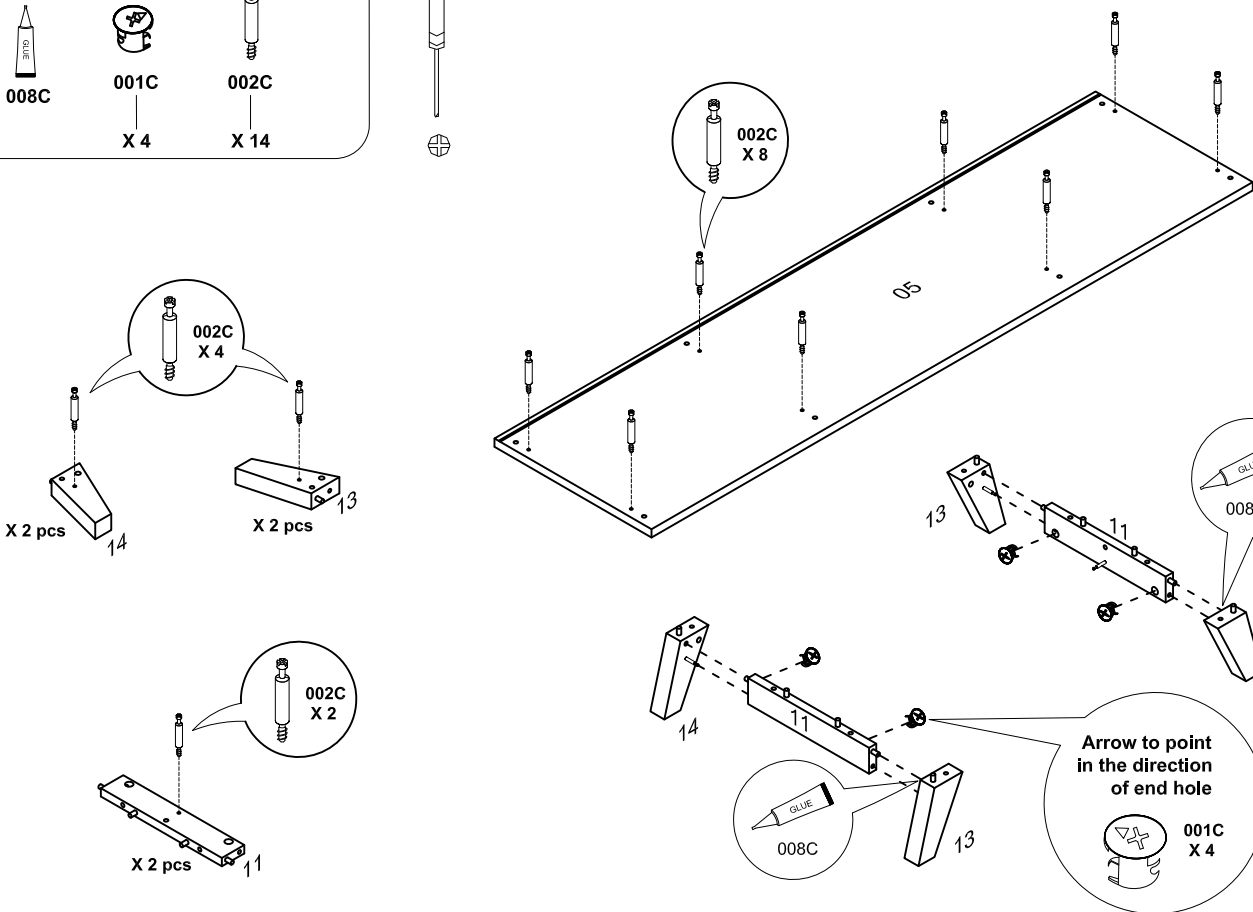
STEP 4

Will require these parts:

008C

001C
X 4

002C
X 14



STEP 5

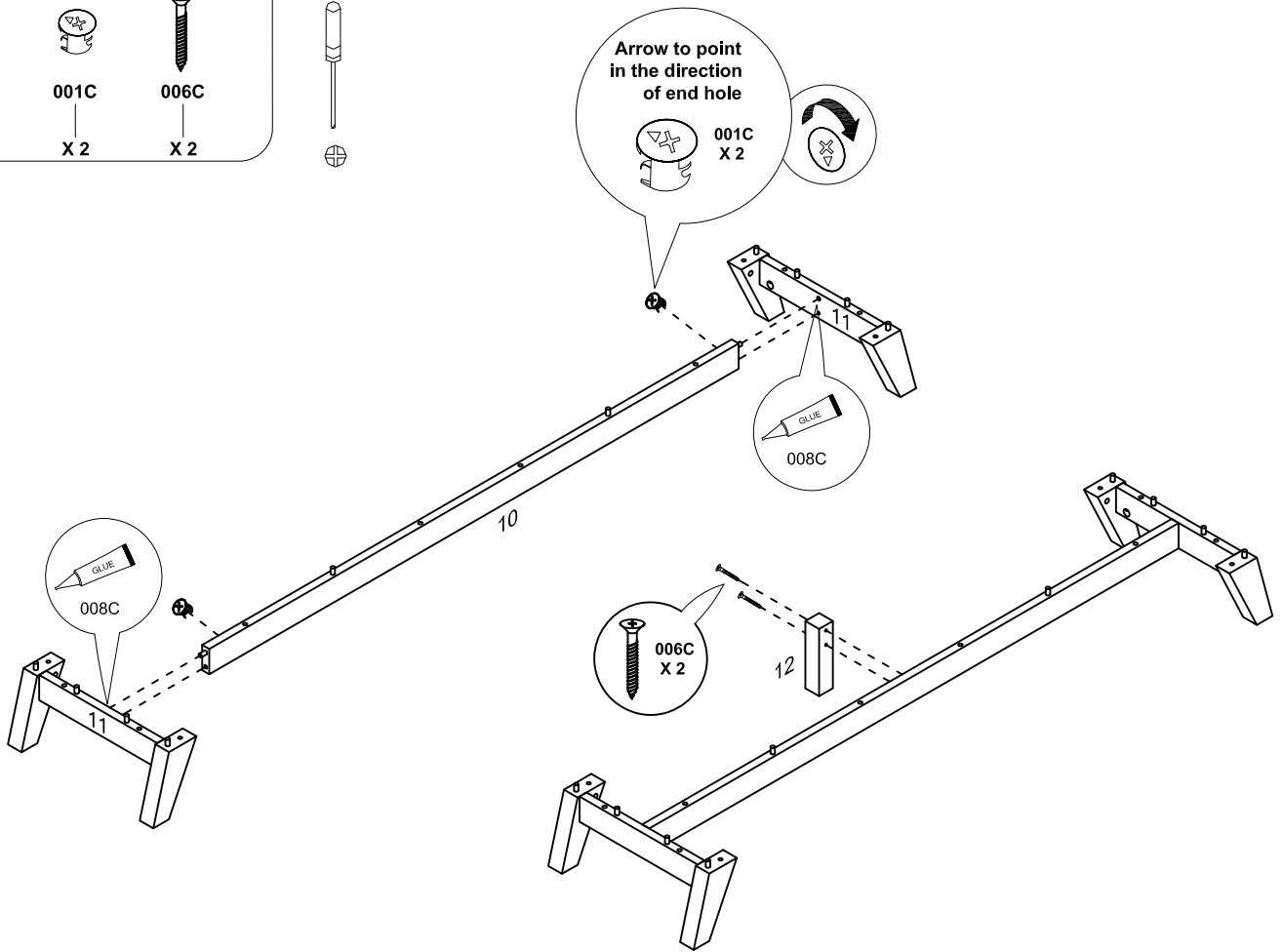
Will require these parts:



008C

001C
X 2

006C
X 2



STEP 6

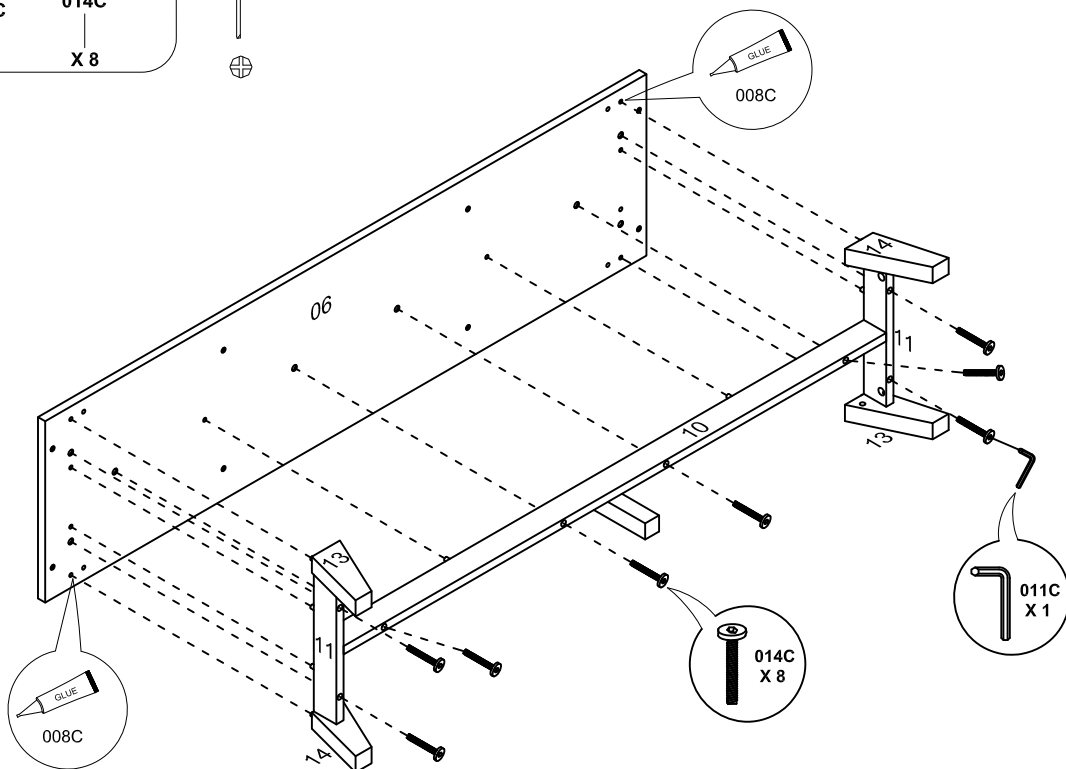
Will require these parts:



011C
X 1

008C

014C
X 8



STEP 7

Will require these parts:



011C

X 1



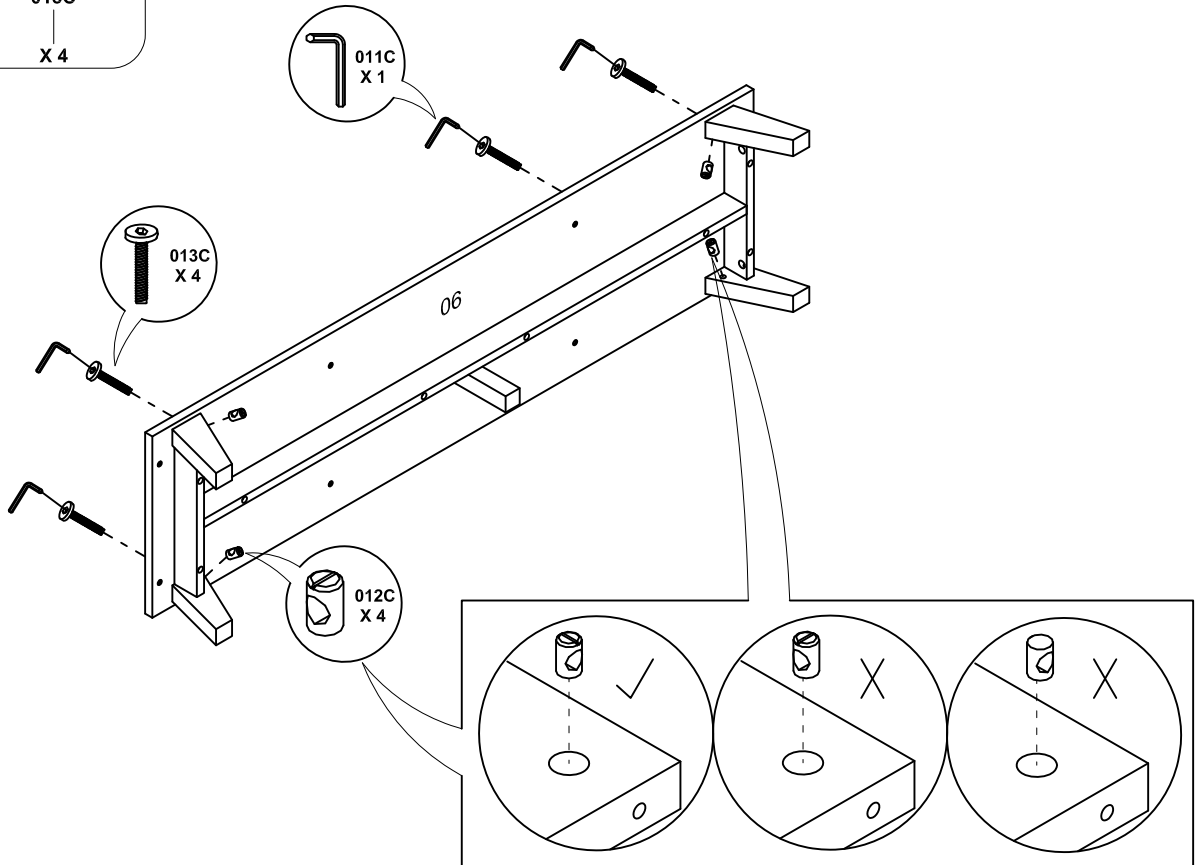
014C

X 4



013C

X 4



STEP 8

Will require these parts:

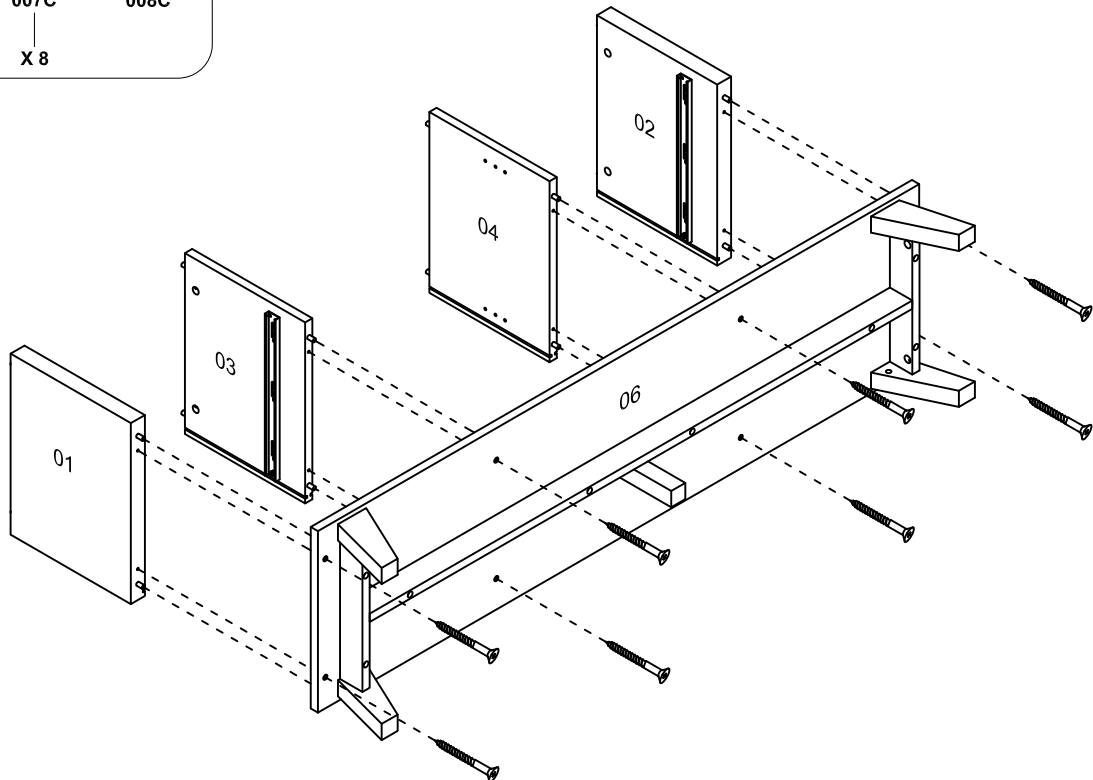


007C

X 8



008C



STEP 9

Will require these parts:

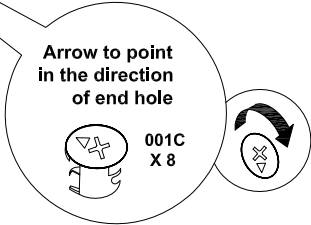
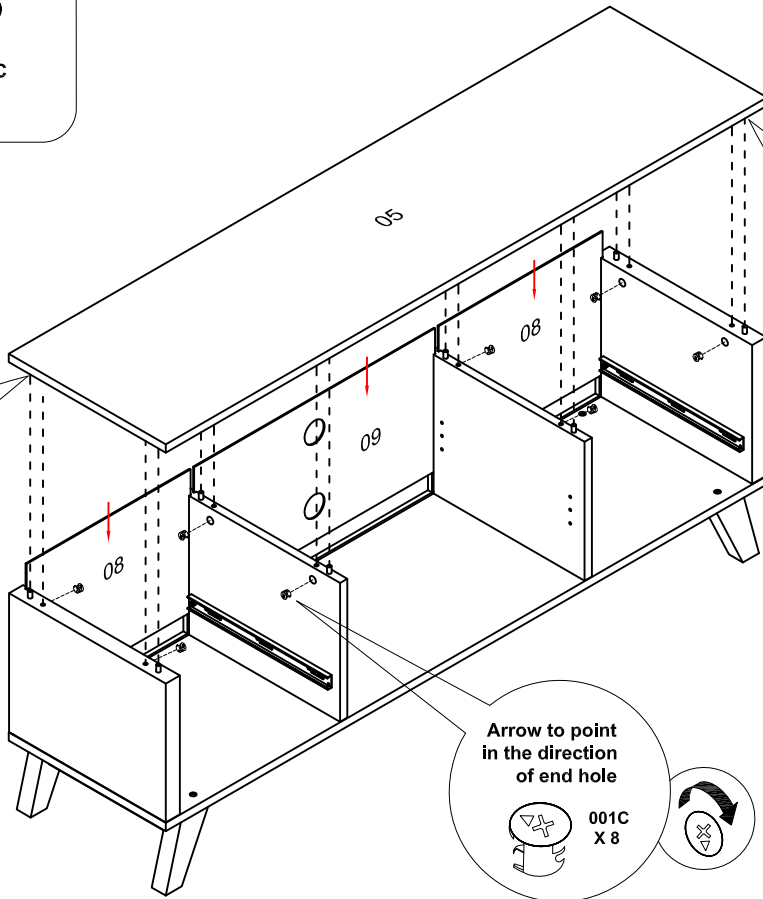
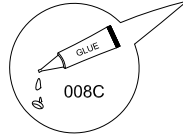


008C



001C

X 8



STEP 10

Will require these parts:



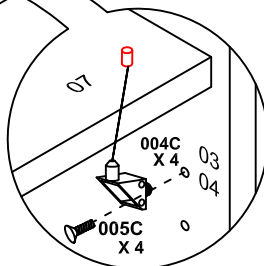
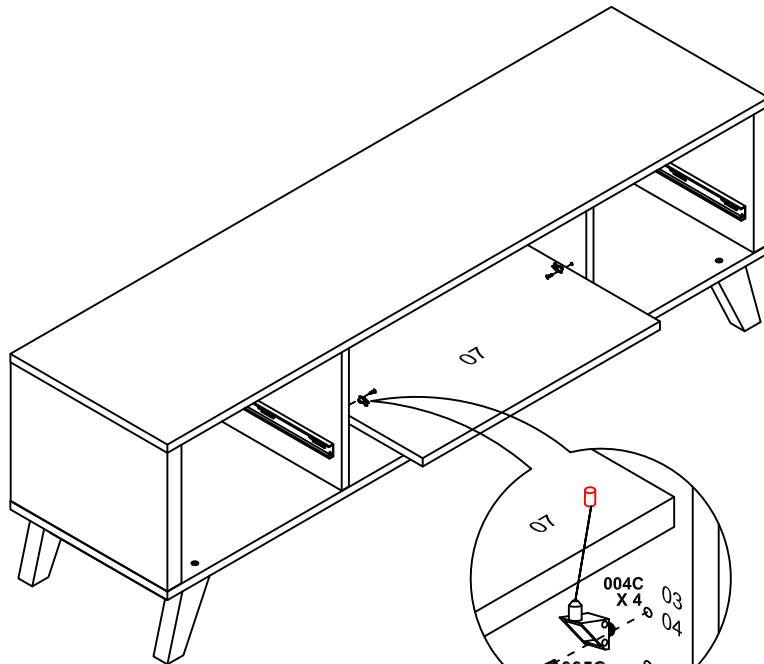
004C

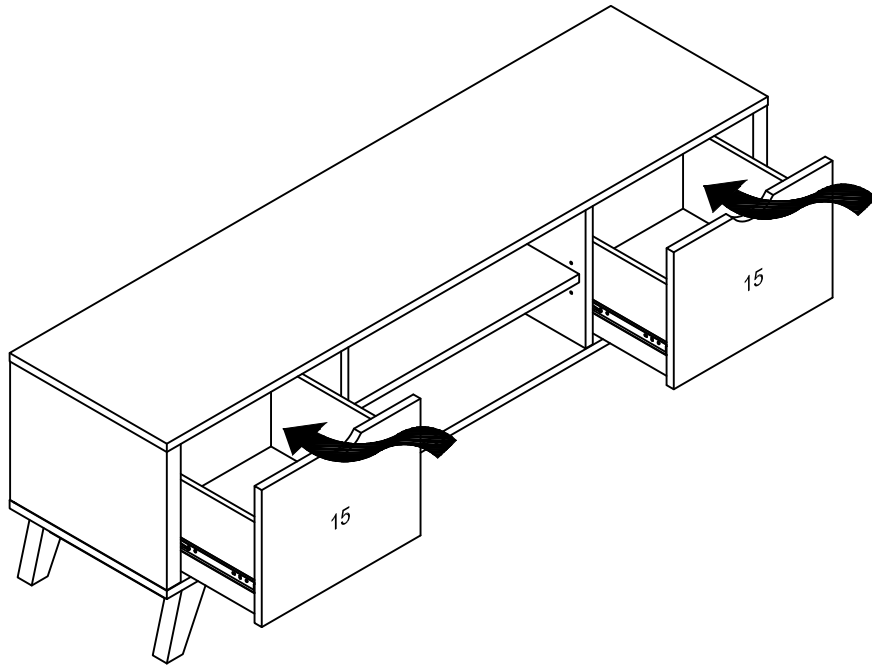
X 4





005C

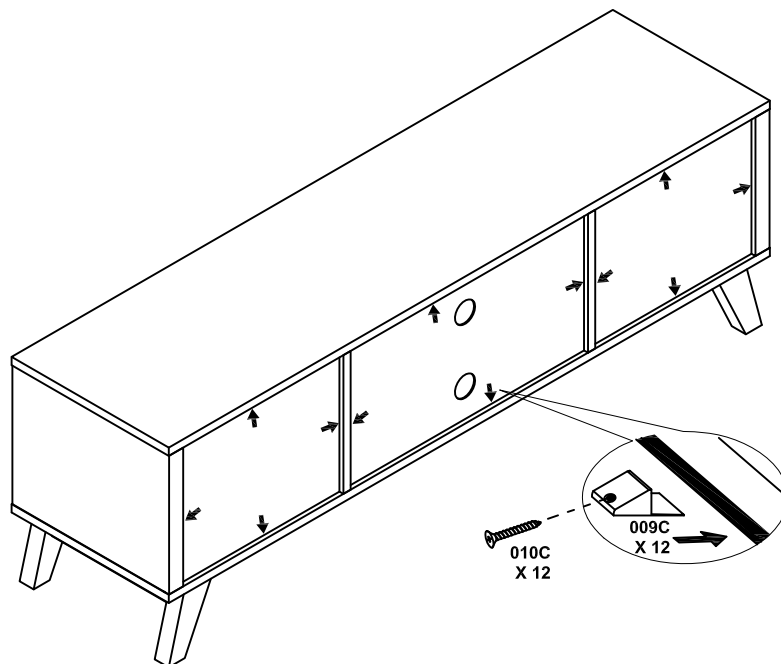
X 4

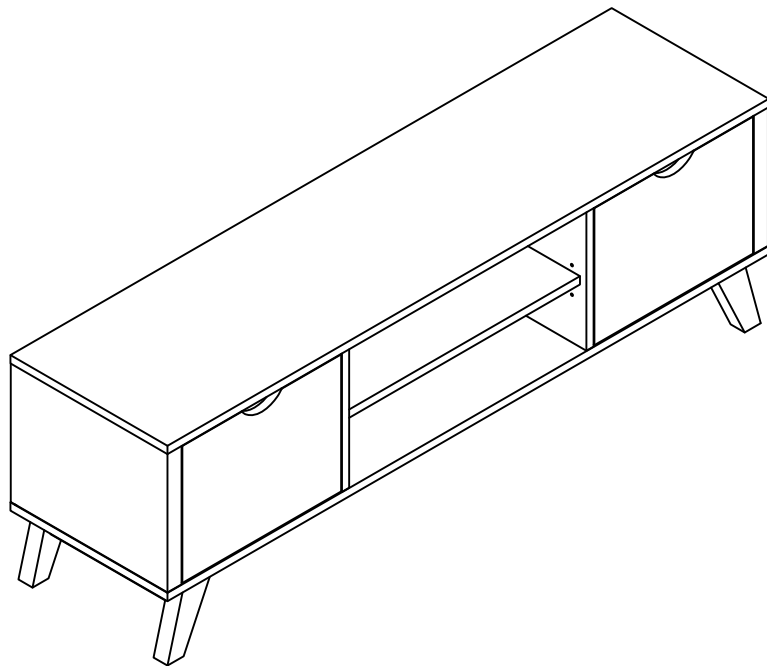




STEP 12 Will require these parts:

- | | |
|---|---|
|  |  |
| 009C | 010C |
| | |
| X 12 | X 12 |





The job is now complete!

**In the interest of our environment
please dispose of all packaging thoughtfully.**