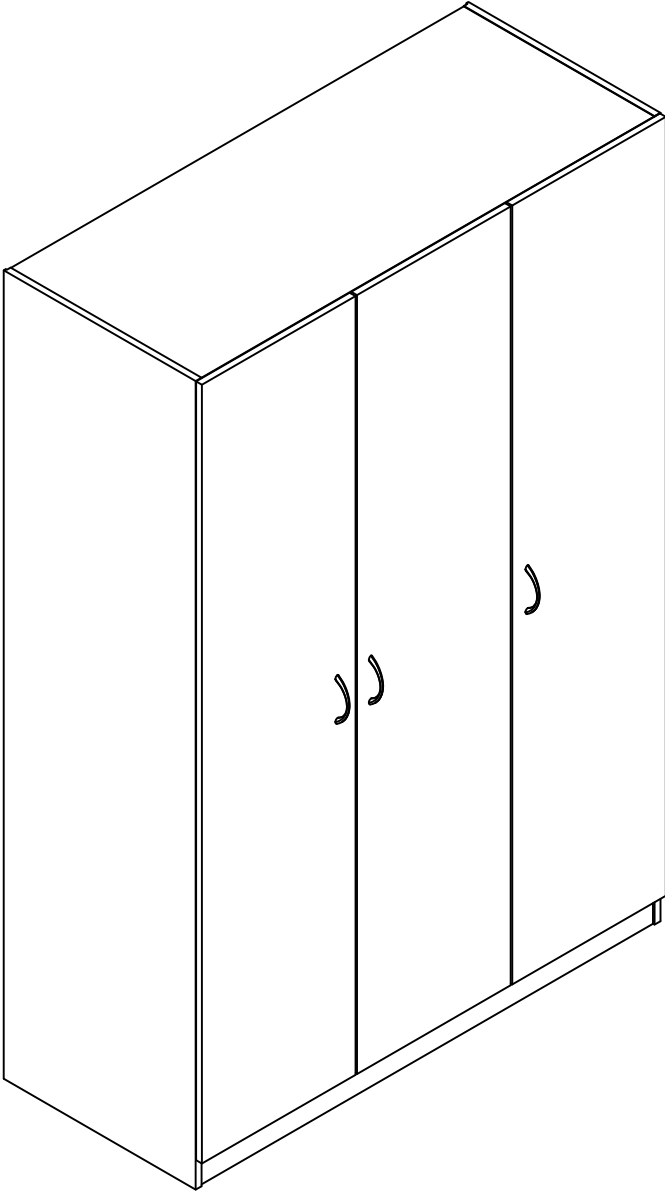


Assembly Instructions

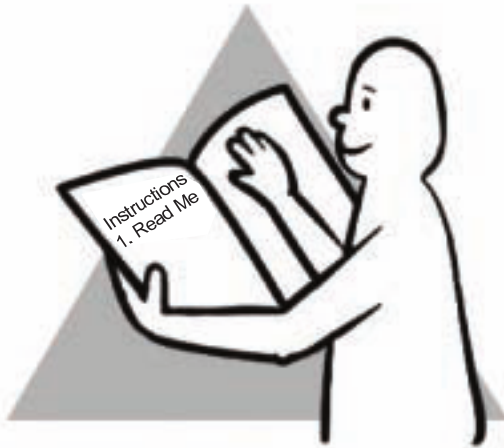
OVELA 3 Door Robe



STOP!

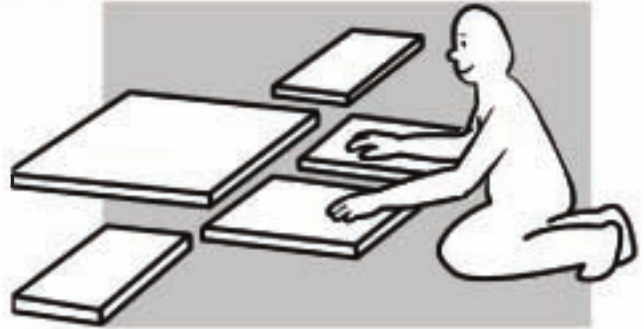
Before you start...

1



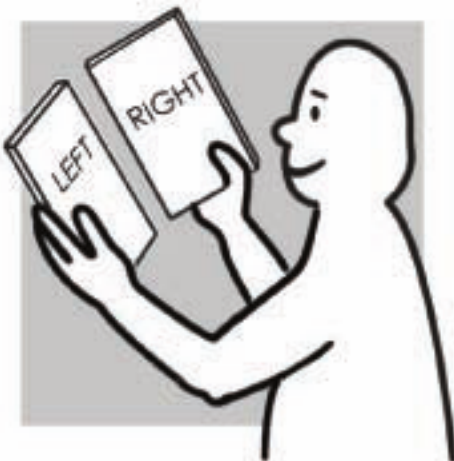
Read instructions carefully.

2



Lay out all of the components on a soft surface as if you were preparing to do a jigsaw puzzle.

3



Carefully identify each component, especially those that are similar. The most common mistake is getting things back to front.

4



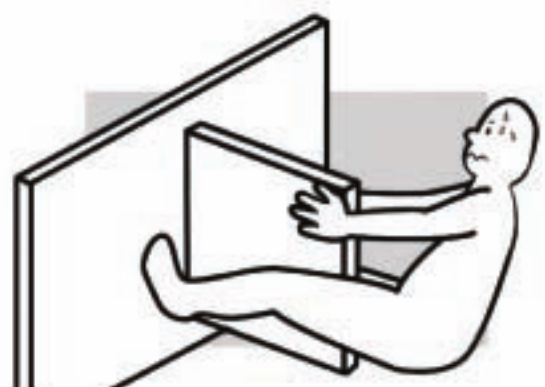
Separate and identify each component from the hardware pack and rest each one in its proper location before fastening.

5



Do not over-tighten screws.

6

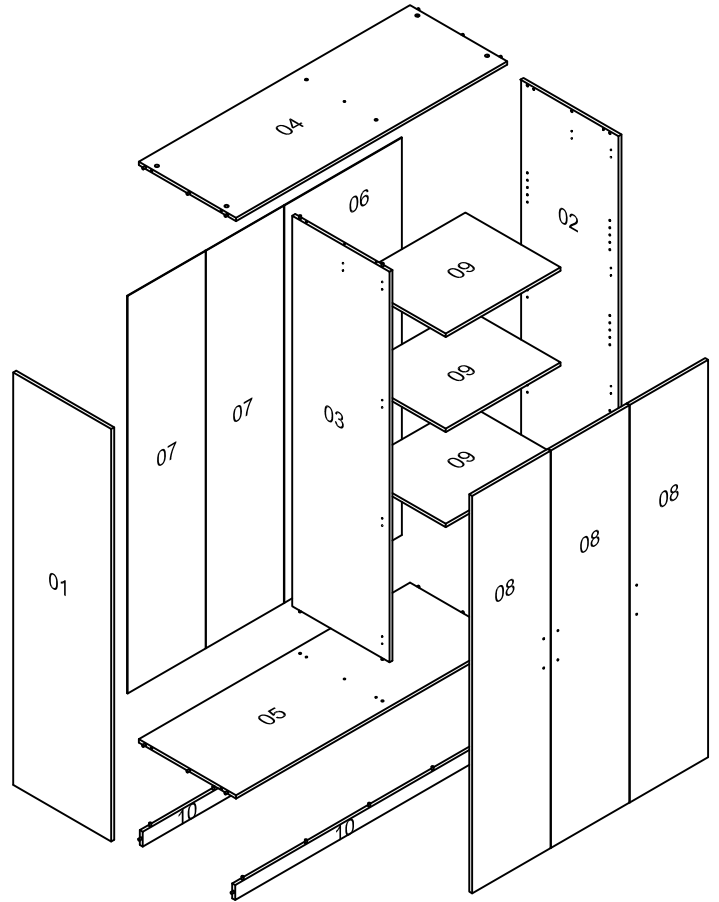
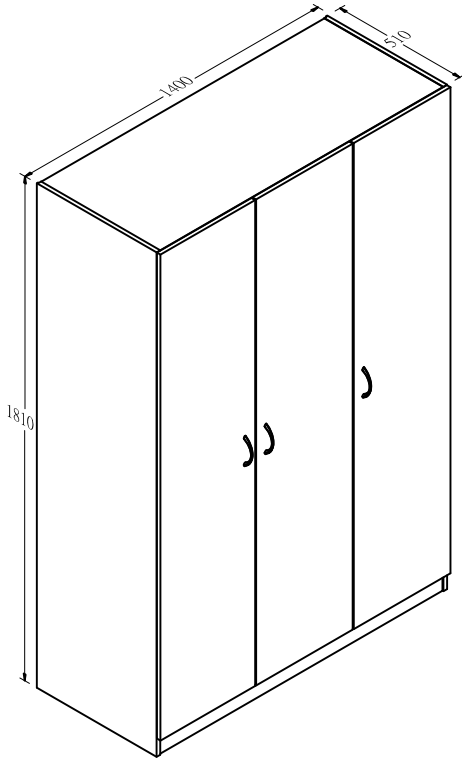


Do not set glue until you are certain that the parts belong together.

HERE'S HOW


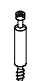







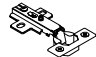





OVELA 3 Door Robe

SOME STEPS MAY REQUIRE
TWO PEOPLE.

TOOLS REQUIRED

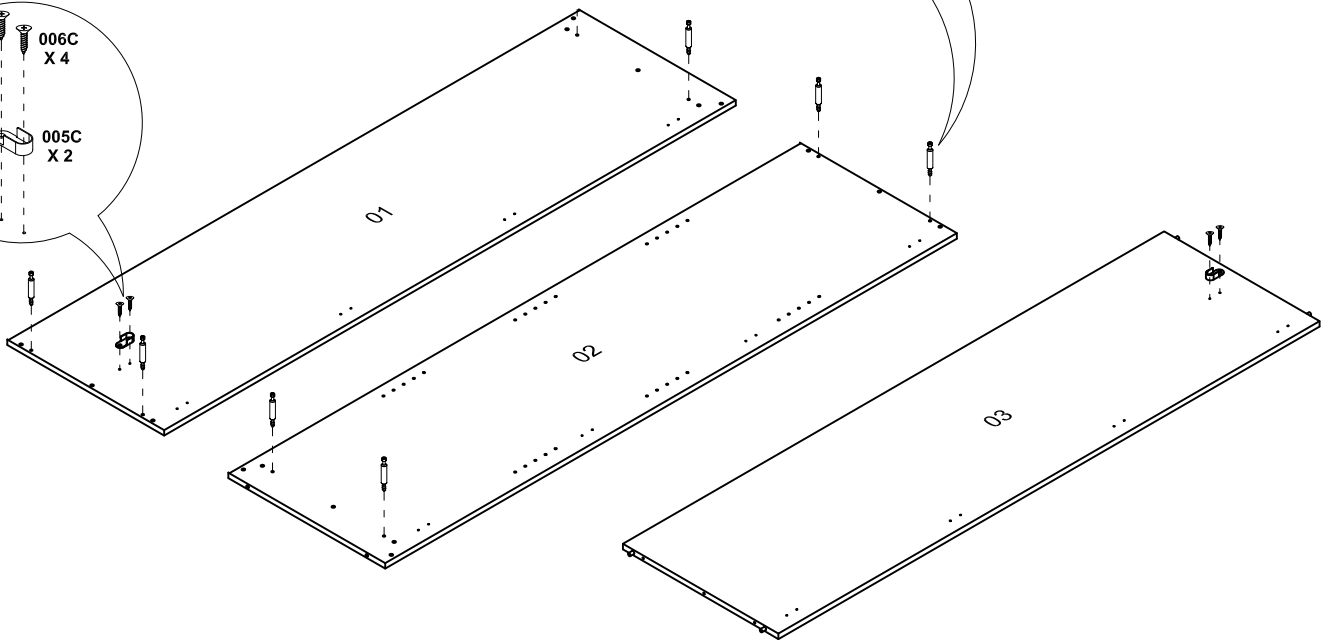
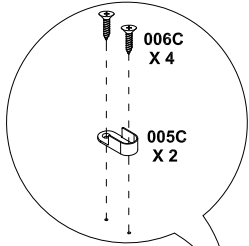


- | | | | | | | | | | |
|--|---|---|---|---|---|---|---|---|---|
|  |  |  |  |  |  |  |  |  |  |
| 001C | 002C | 003C | 004C | 005C | 006C | 007C | 008C | 009C | 010C |
| X 8 | X 8 | X 6 | X 3 | X 2 | X 52
4x15mm | X 6
5.5x38mm | X 7
5x16mm | X 1 | X 8
(Straight hinges) |
|  |  |  |  |  | | | | | |
| 011C | 012C | 013C | 014C | 015C | | | | | |
| X 60 | X 1 | X 12 | X 12 | X 4
(Crooked hinges) | | | | | |

STEP 1

Will require these parts:

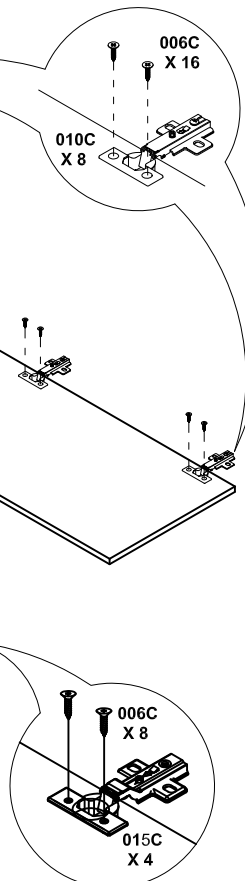
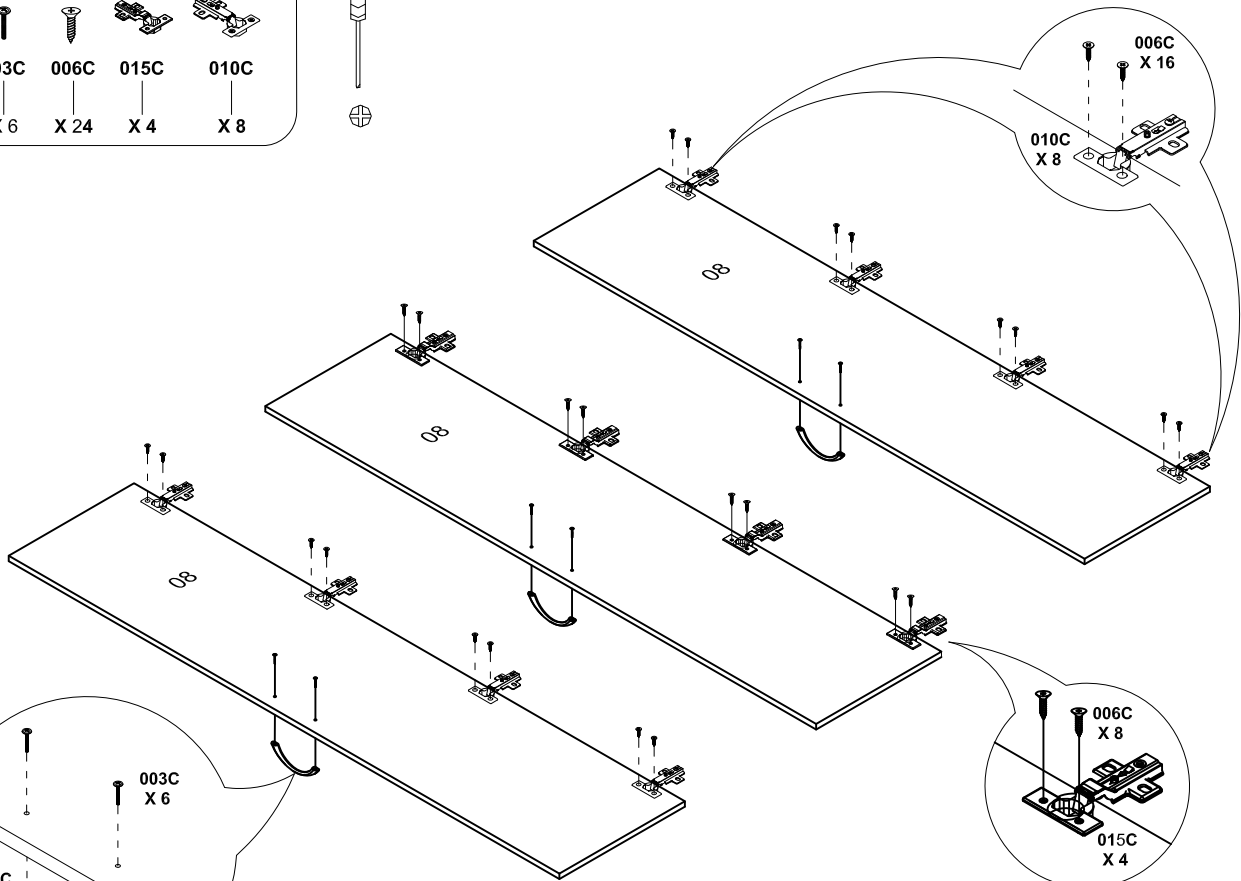
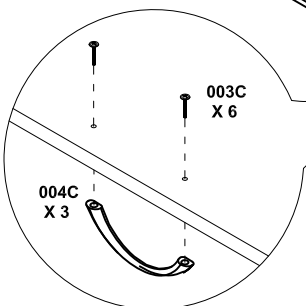
- 002C X 8
- 005C X 2
- 006C X 4



STEP 2

Will require these parts:

- 004C X 3
- 003C X 6
- 006C X 24
- 015C X 4
- 010C X 8

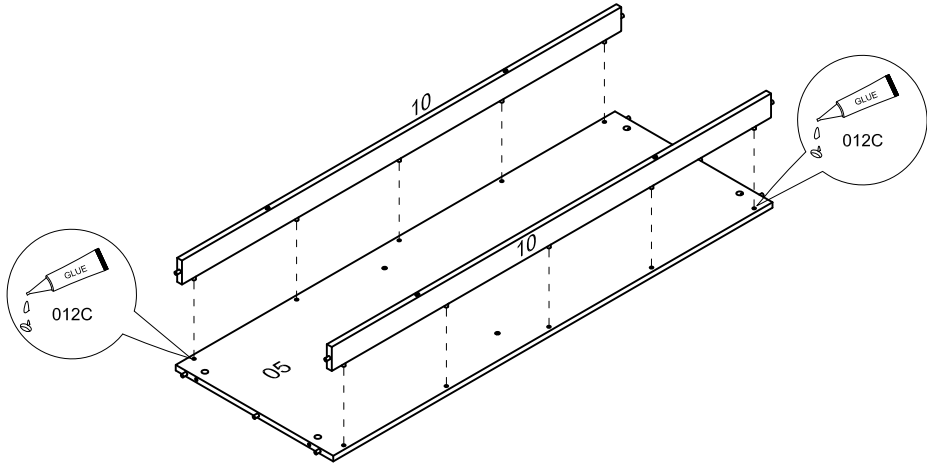


STEP 3

Will require these parts:



012C



STEP 4

Will require these parts:

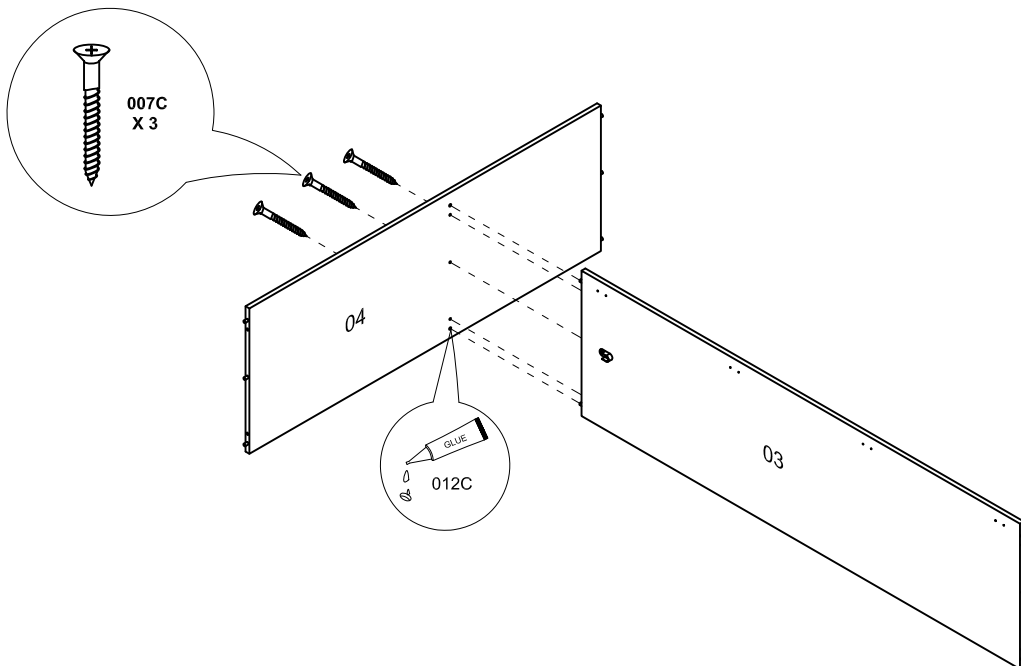


012C



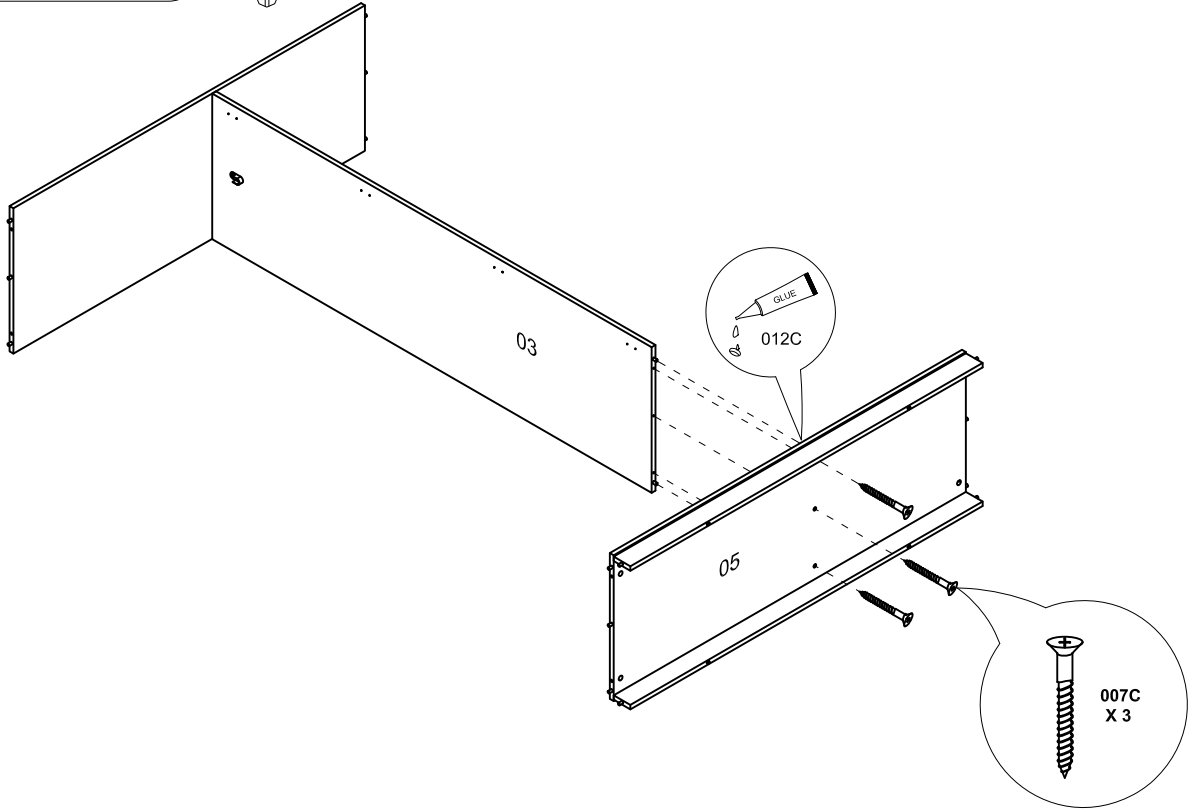
007C

X 3



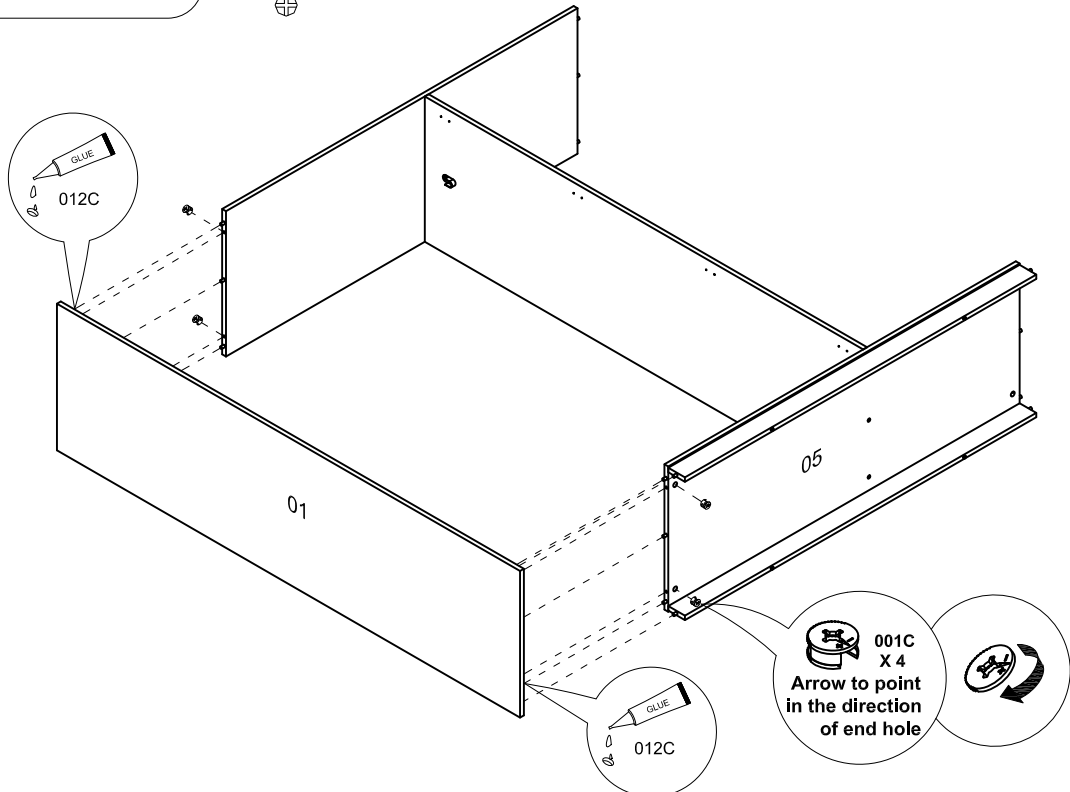
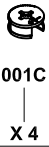
STEP 5

Will require these parts:



STEP 6

Will require these parts:



STEP 7

Will require these parts:

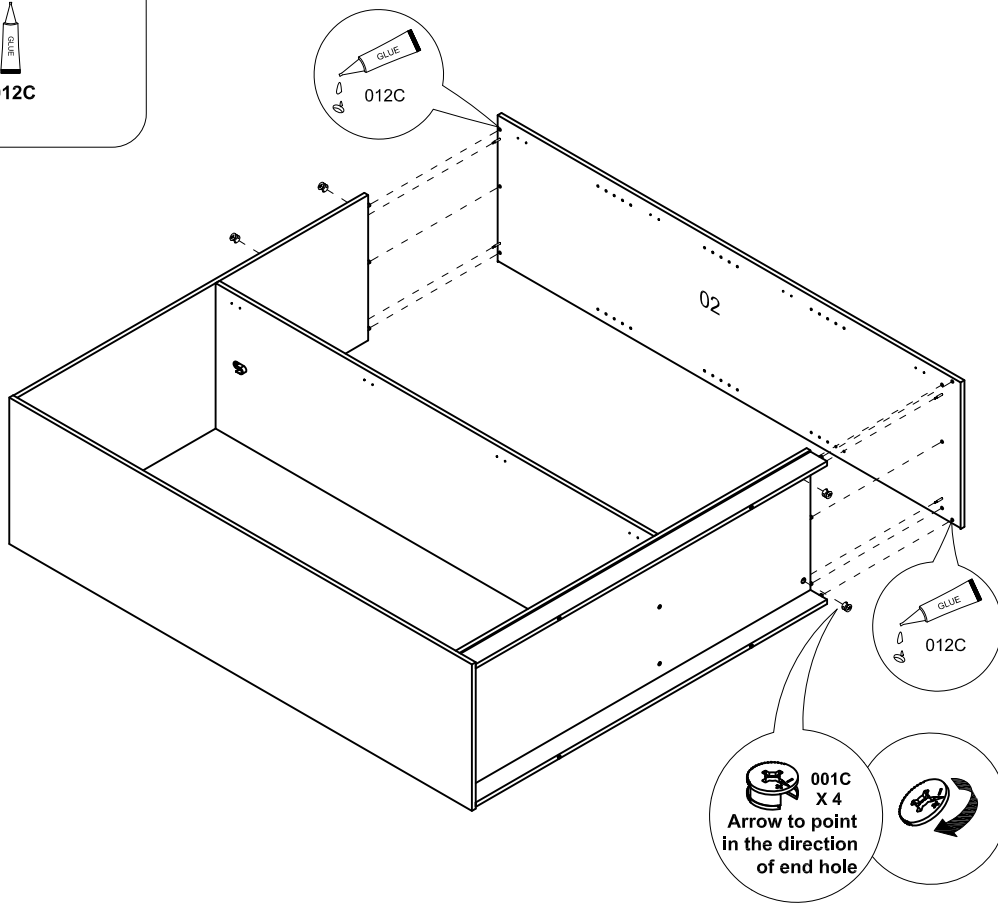


001C

X 4



012C



STEP 8

Will require these parts:



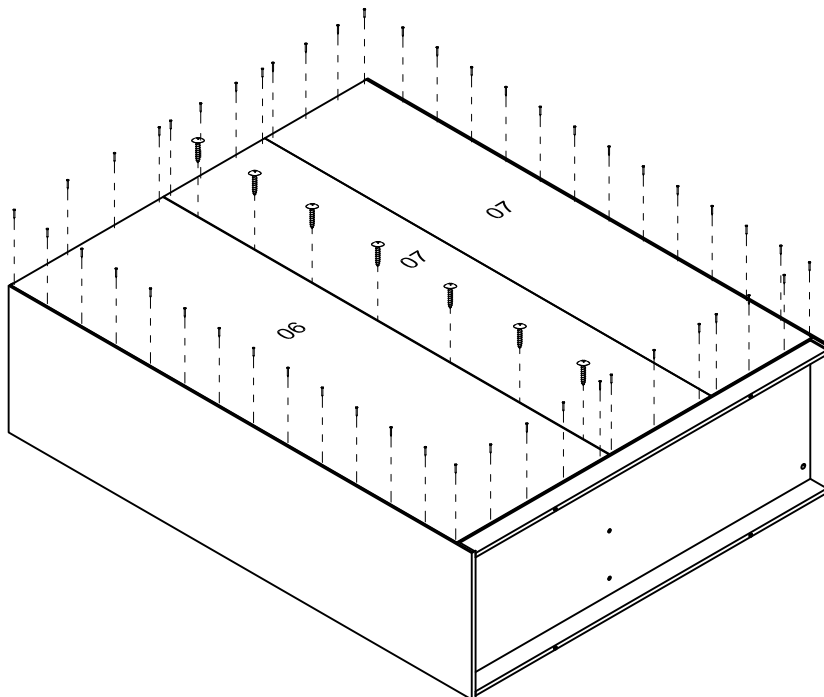
011C

X 60



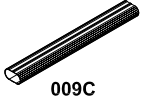
008C

X 7



STEP 9

Will require these parts:



009C

X 1



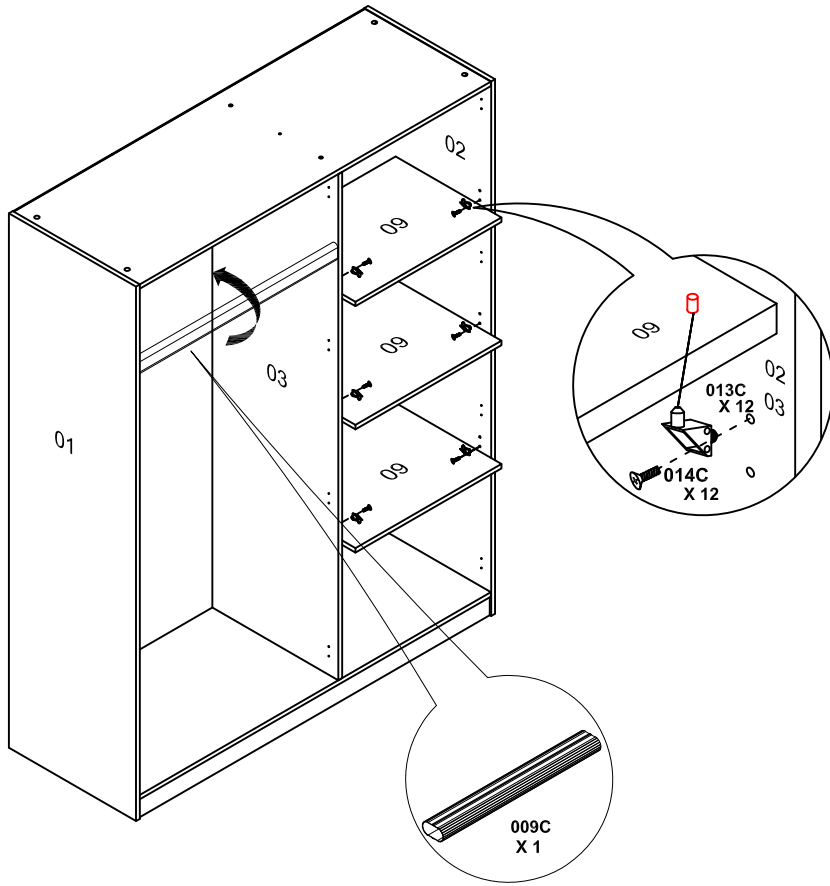
013C

X 12



014C

X 12



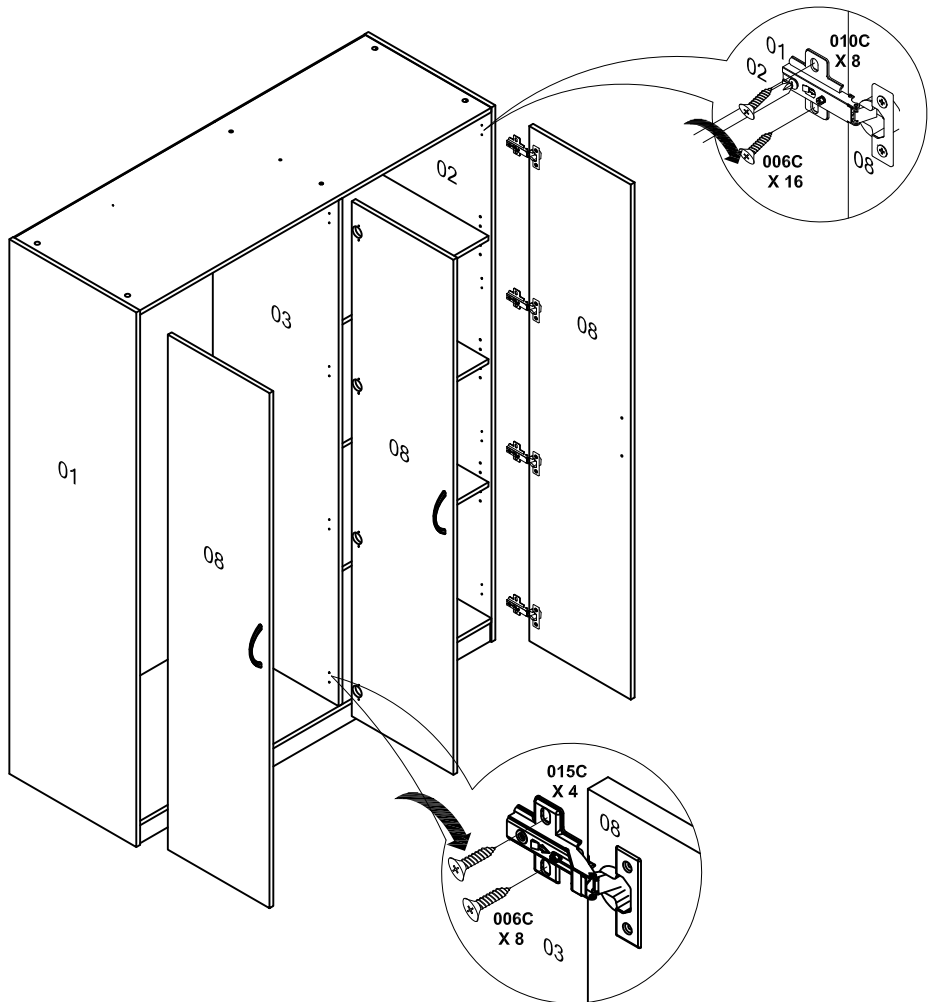
STEP 10

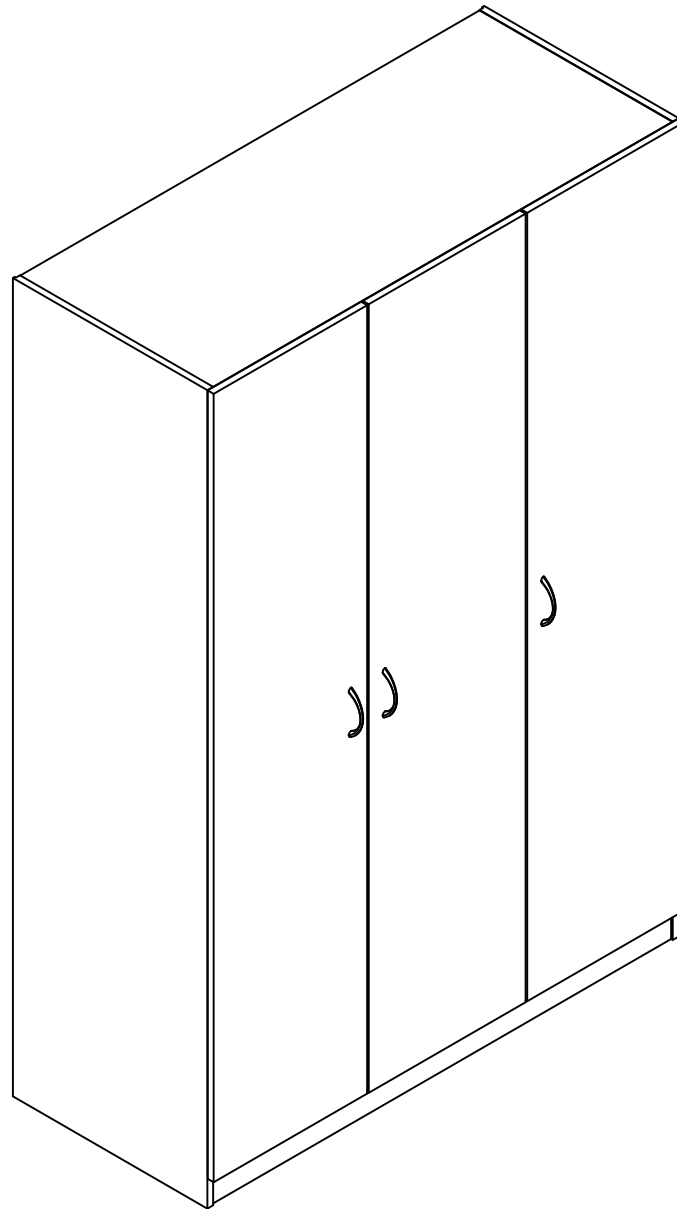
Will require these parts:



006C

X 24





The job is now complete!

**In the interest of our environment
please dispose of all packaging thoughtfully.**