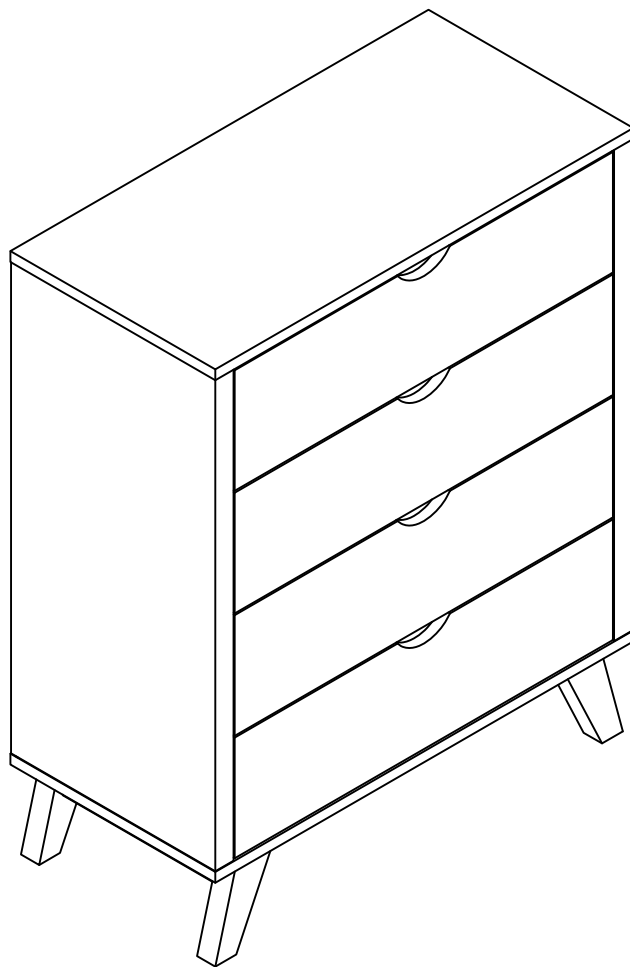


Assembly Instructions

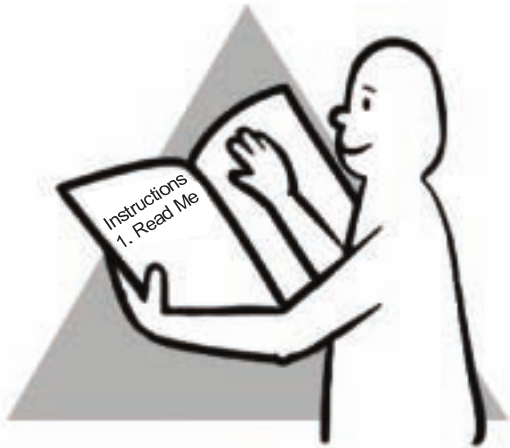
OVELA 4 Drawer Bedside



STOP!

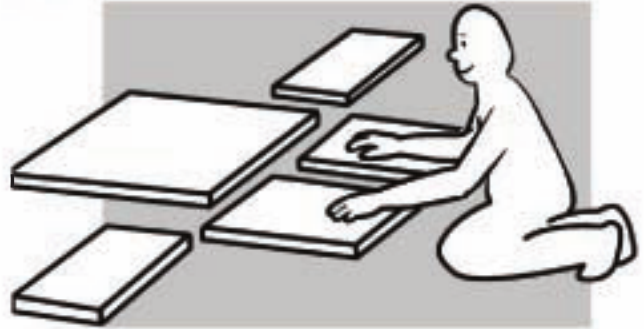
Before you start...

1



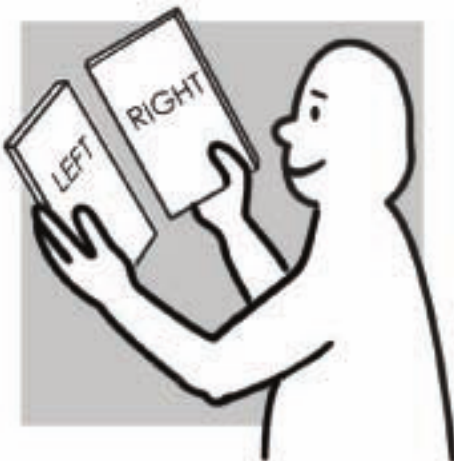
Read instructions carefully.

2



Lay out all of the components on a soft surface as if you were preparing to do a jigsaw puzzle.

3



Carefully identify each component, especially those that are similar. The most common mistake is getting things back to front.

4



Separate and identify each component from the hardware pack and rest each one in its proper location before fastening.

5



Do not over-tighten screws.

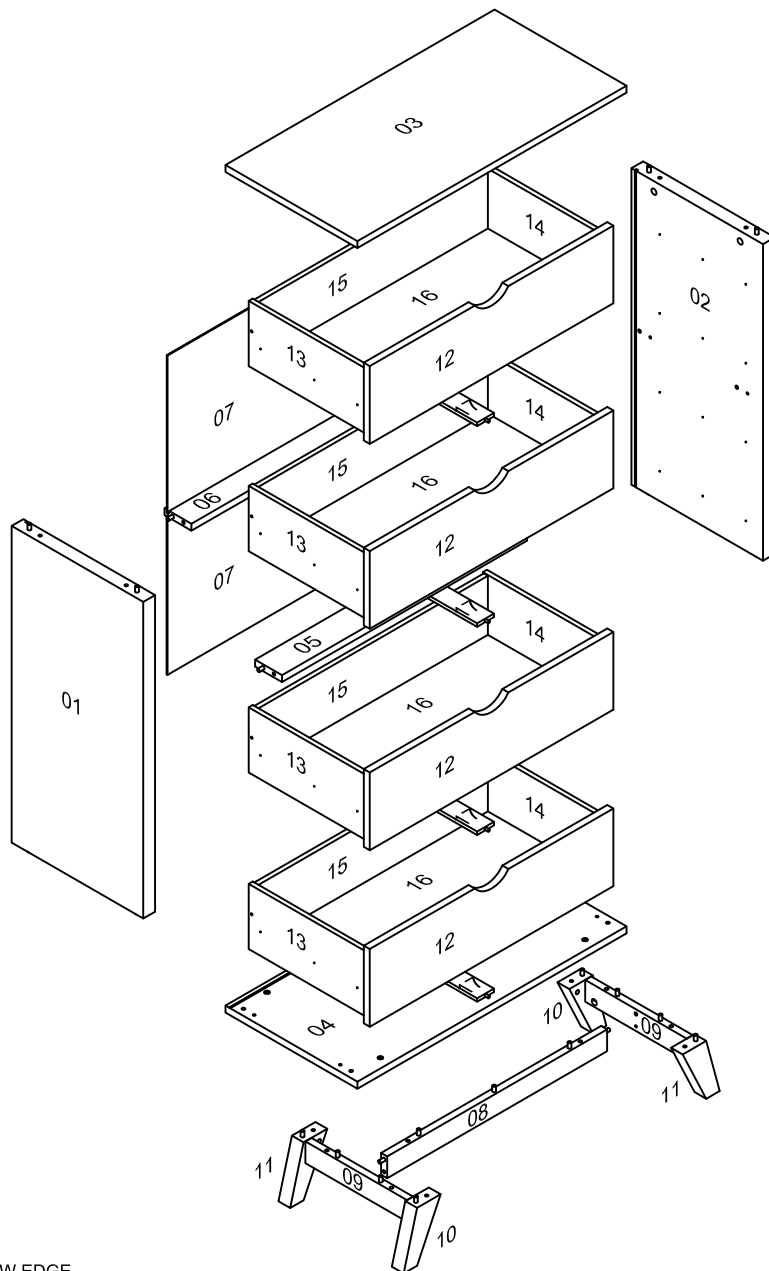
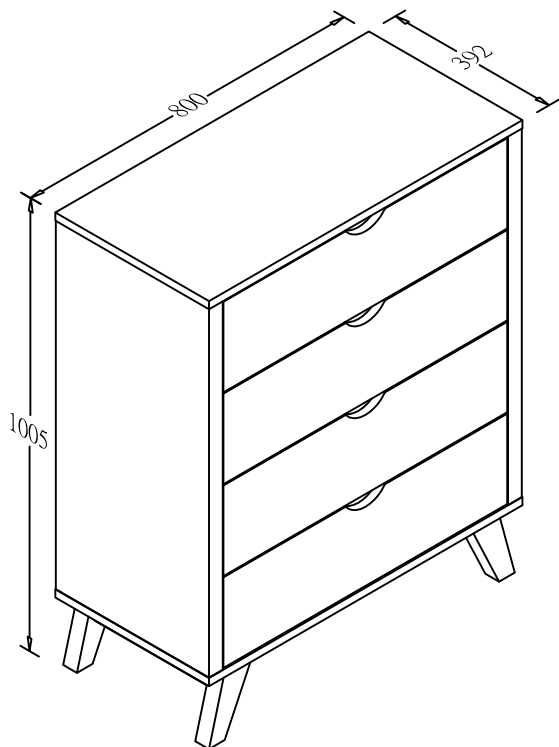
6



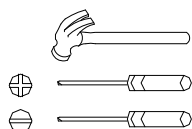
Do not set glue until you are certain that the parts belong together.

HERE'S HOW OVELA 4 Drawer Bedside

SOME STEPS MAY REQUIRE
TWO PEOPLE.









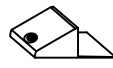




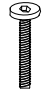

TOOLS REQUIRED



CHECK YOUR COMPONENTS



DENOTES RAW EDGE OR SURFACES

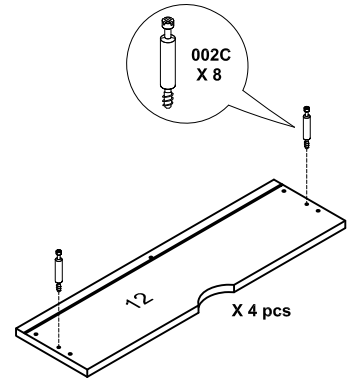
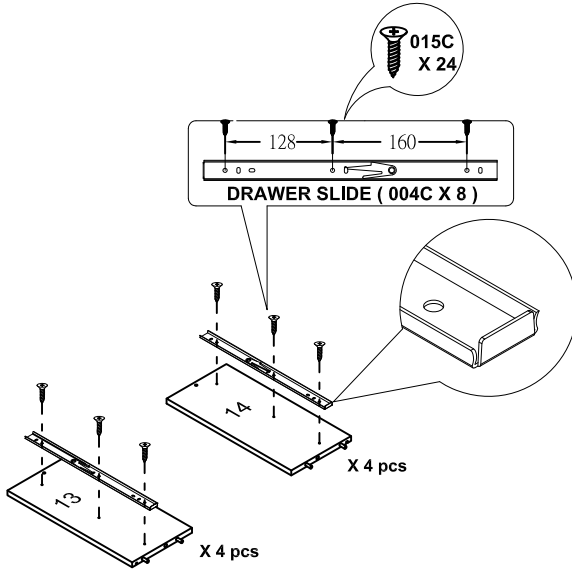
- | | | | | | | | | | |
|--|---|---|---|---|---|--|---|---|---|
|  |  |  |  |  |  |  |  |  |  |
| 001C | 002C | 003C | 004C | 005C | 006C | 007C | 008C | 009C | 010C |
| X 14 | X 22 | X 8 | X 8 | X 8 | X 8
4x32mm | X 4
5.5x45mm | X 2 | X 8 | X 8
3x18mm |
|  |  |  |  |  | | | | | |
| 011C | 012C | 013C | 014C | 015C | | | | | |
| X 1 | X 4 | X 4
6x40mm | X 6
6x60mm | X 48
3.5x12mm | | | | | |

NOTE: Drawer runners (part 004C+005C) pre-attached, pull open and press small plastic lever while pulling to separate.

STEP 1

Will require these parts:

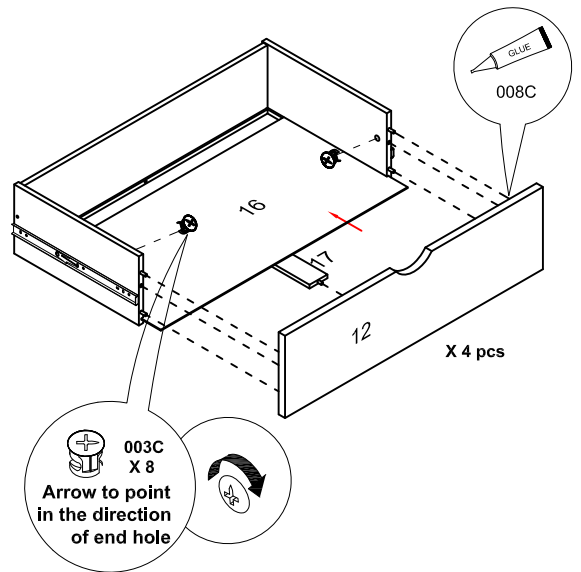
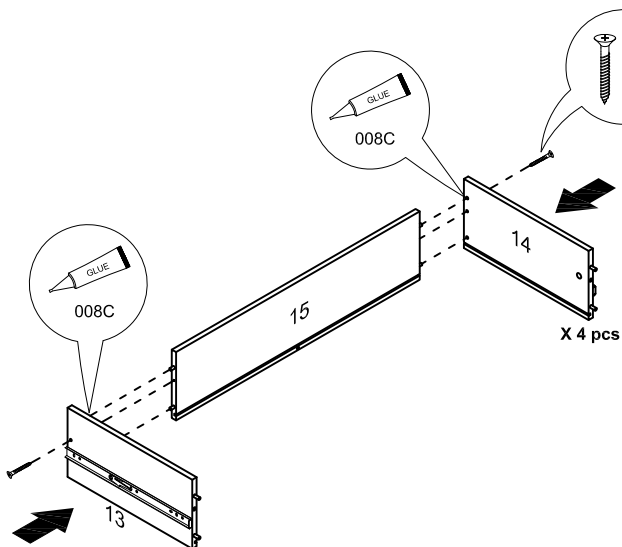
- 015C X 24
- 004C X 8
- 002C X 8



STEP 2

Will require these parts:

- 003C X 8
- 006C X 8
- 008C

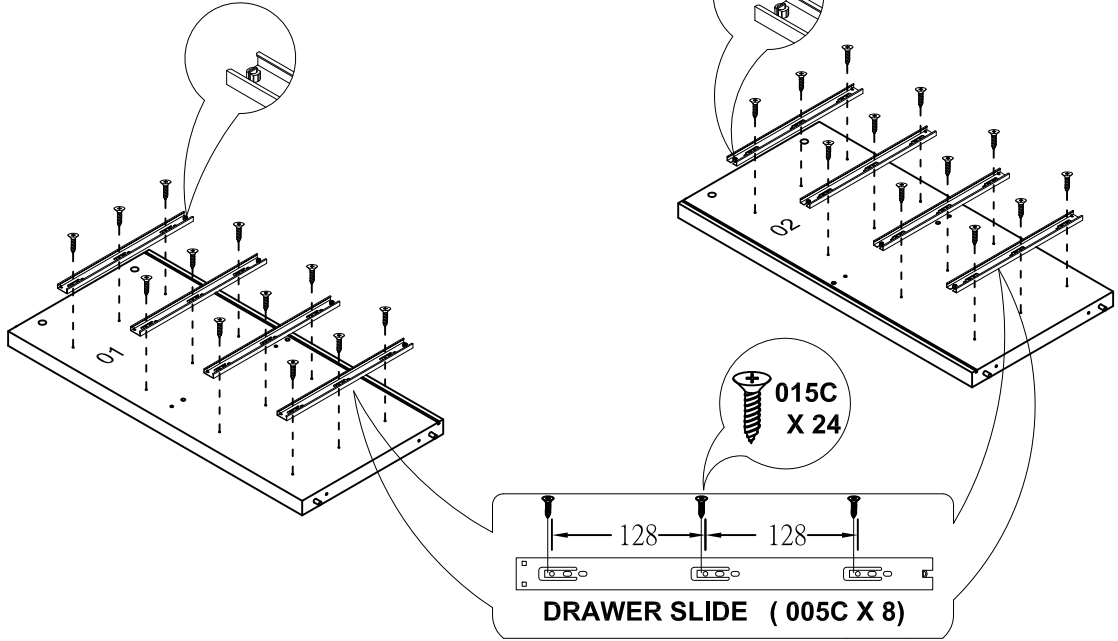


STEP 3

Will require these parts:

015C
X 24

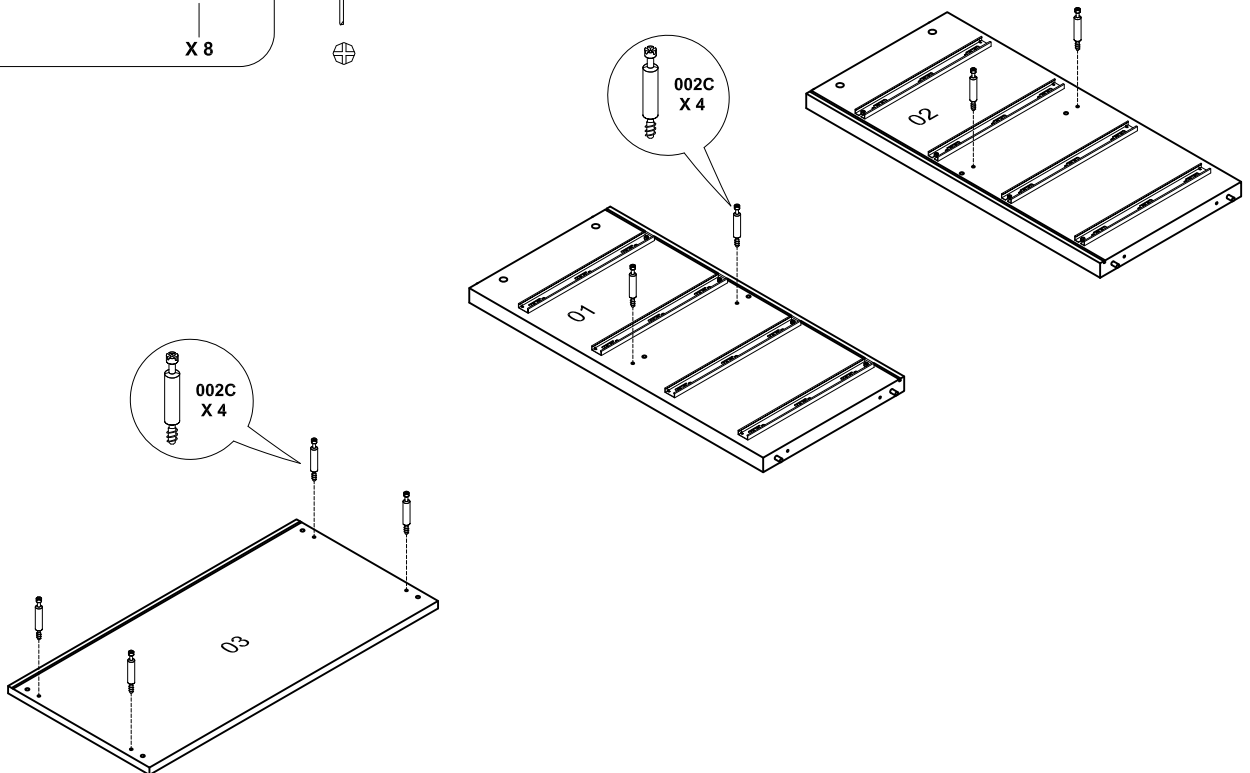
005C
X 8



STEP 4

Will require these parts:

002C
X 8



STEP 5

Will require these parts:



008C



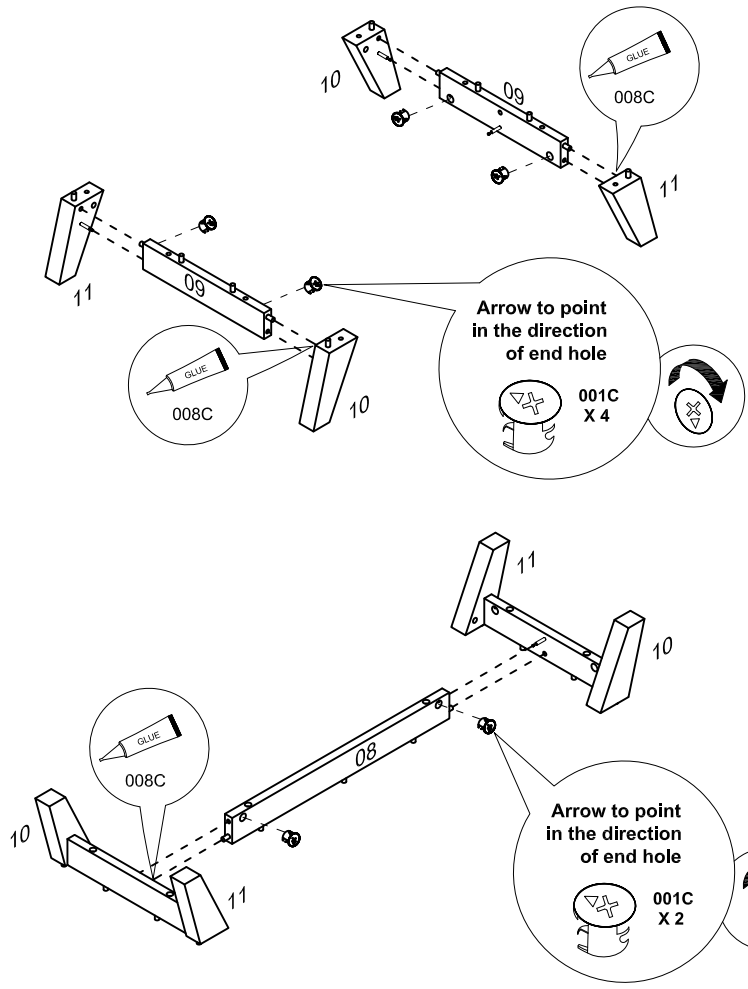
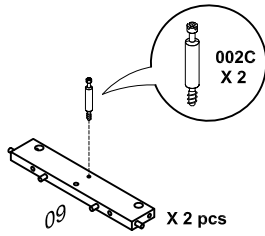
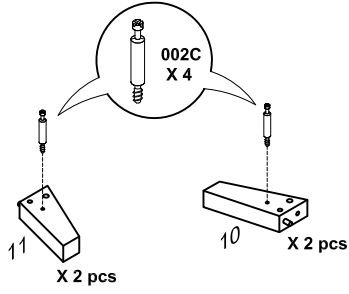
001C

X 6



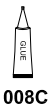
002C

X 6



STEP 6

Will require these parts:



008C



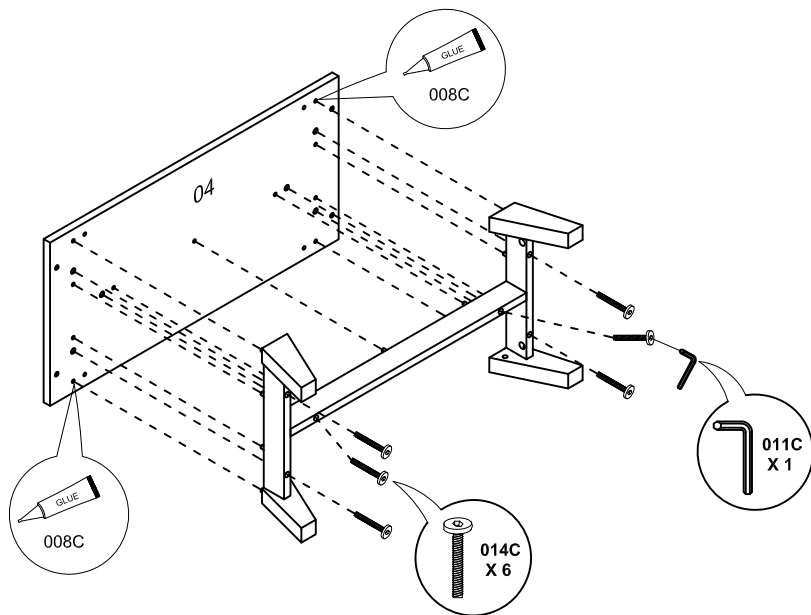
011C

X 1



014C

X 6



STEP 7

Will require these parts:



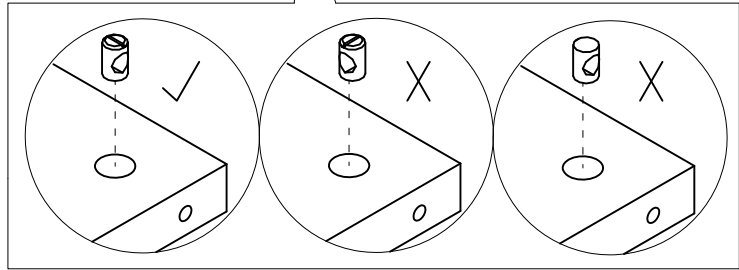
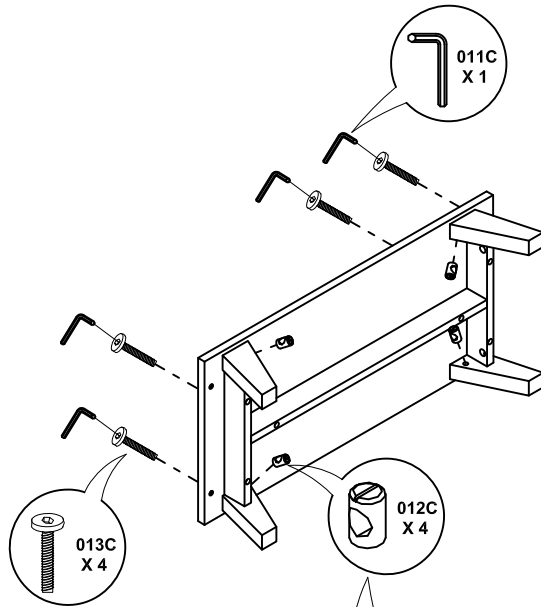
011C
X 1



012C
X 4



013C
X 4



STEP 8

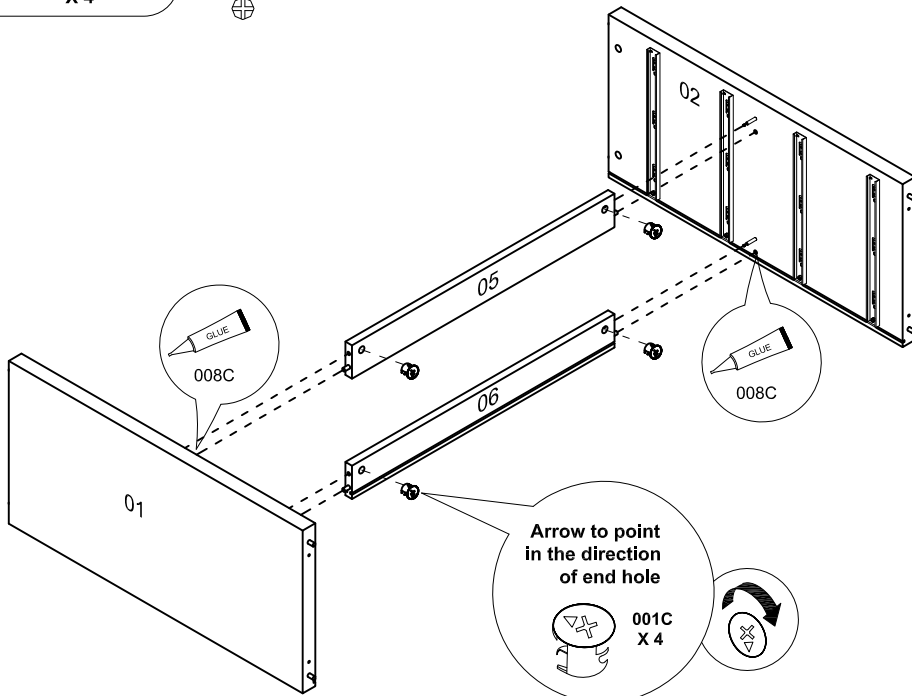
Will require these parts:



008C



001C
X 4



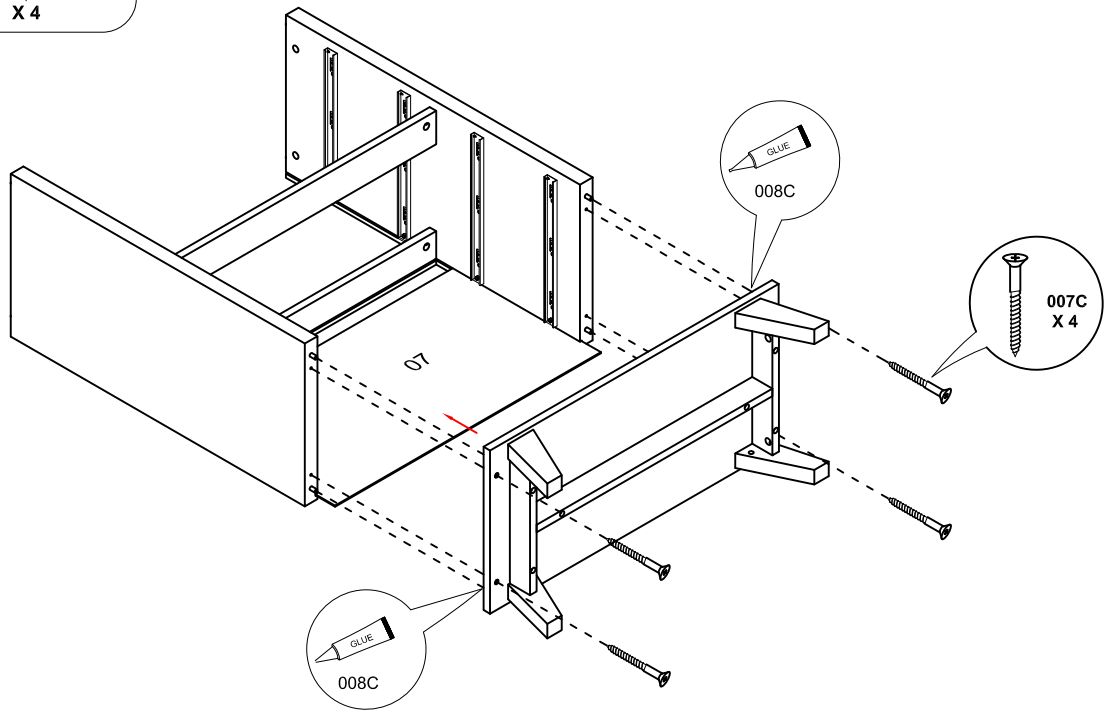
STEP 9

Will require these parts:



007C

X 4



Stand up

STEP 10

Will require these parts:

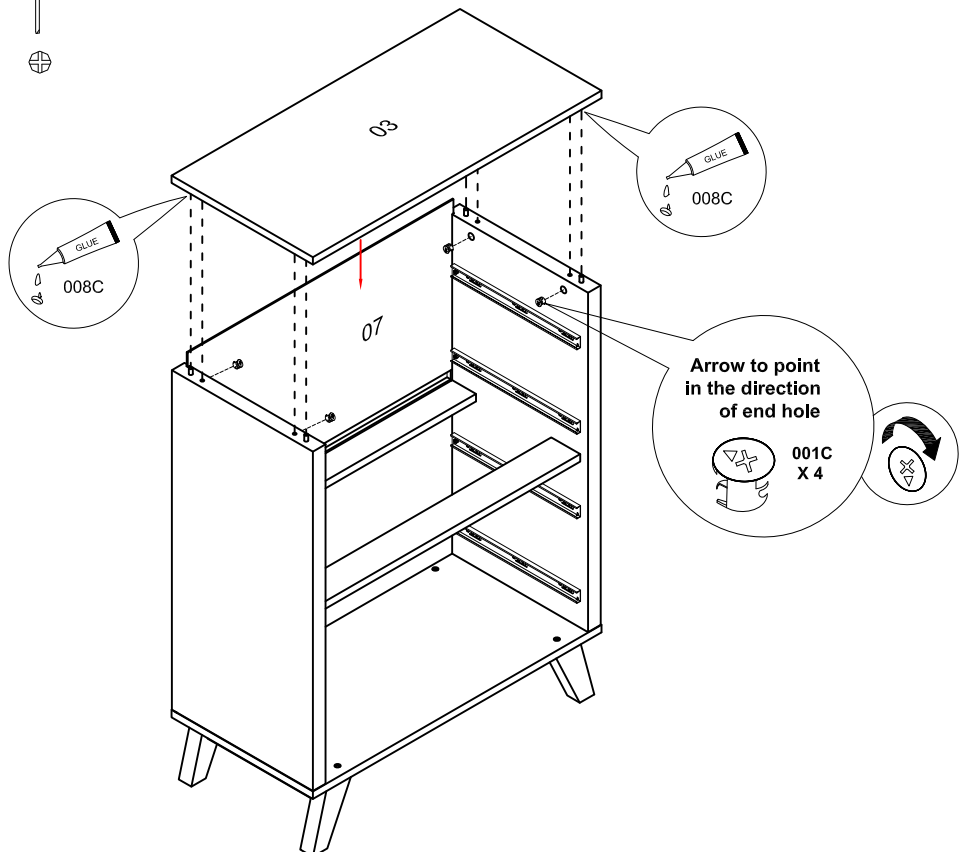


008C



003C

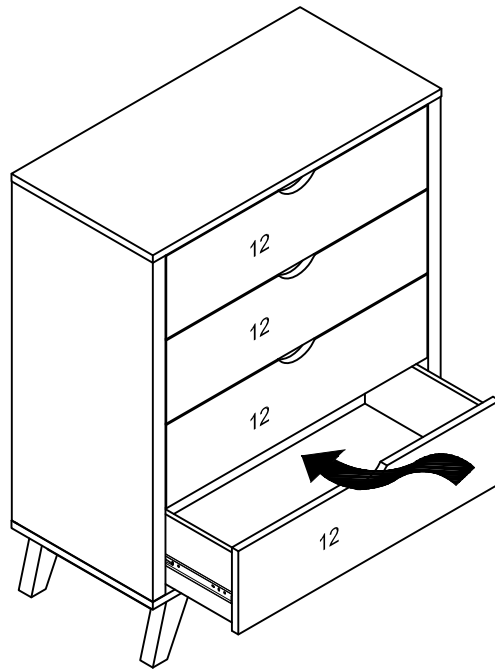
X 4



Arrow to point in the direction of end hole



001C X 4



STEP 12

Will require these parts:



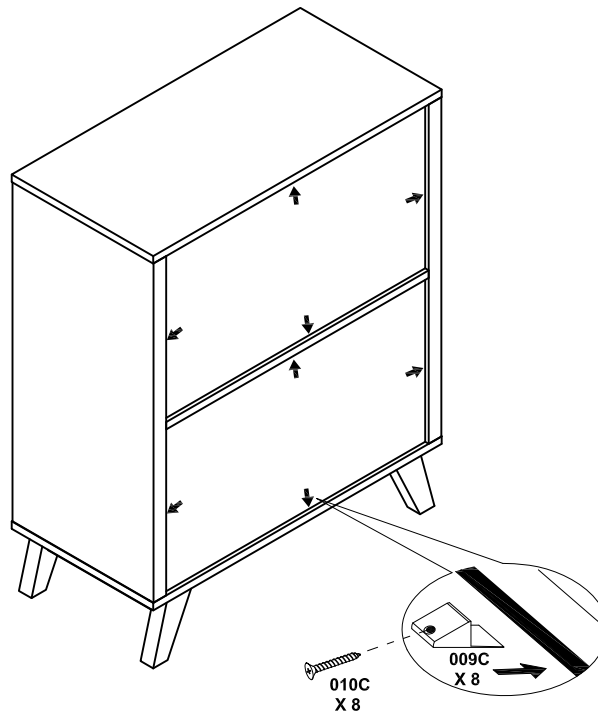
009C

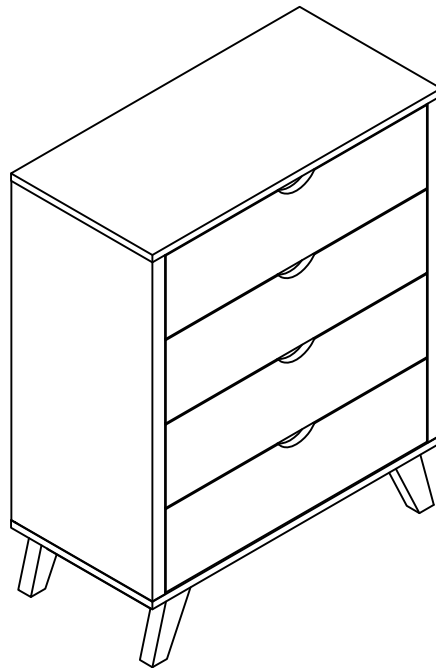
X 8



010C

X 8





The job is now complete!

**In the interest of our environment
please dispose of all packaging thoughtfully.**