

# **APLINE SOFA BED**

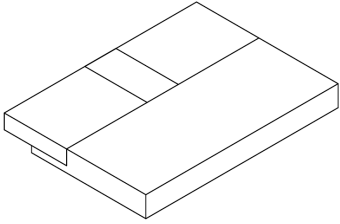
OVALPINSBBA, OVALPINSBGA



# SAFETY & WARNINGS

- Read Instructions carefully. Ensure no parts are missing before beginning.
- **Warning:** Failure to follow the instructions can lead to damage that is not covered by your warranty.
- Lay out all the components on a soft surface.
- Do not fully tighten screws (leave slightly loose). When the item is fully assembled tighten the screws - but do not over-tighten.

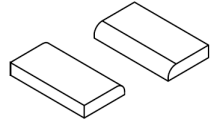
# COMPONENTS



**A** Sofa Frame (x1)



**B** Solid Wood Legs (x4)

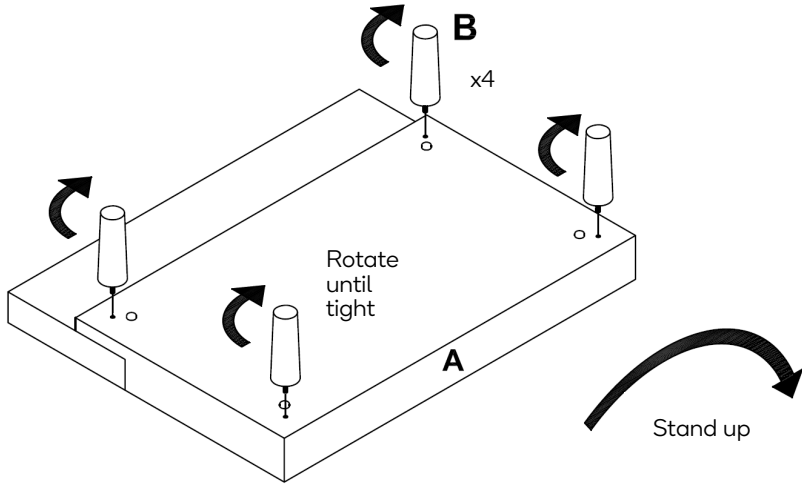


**C** Handrail Cushions (x2)

# ASSEMBLY

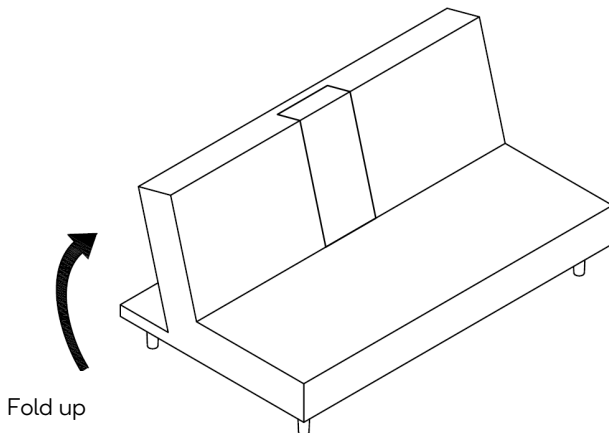
## Step 1

Open the bottom zipper of the Sofa Frame and remove the Solid Wooden Legs and Cushions. Assemble all Solid Wooden Legs.



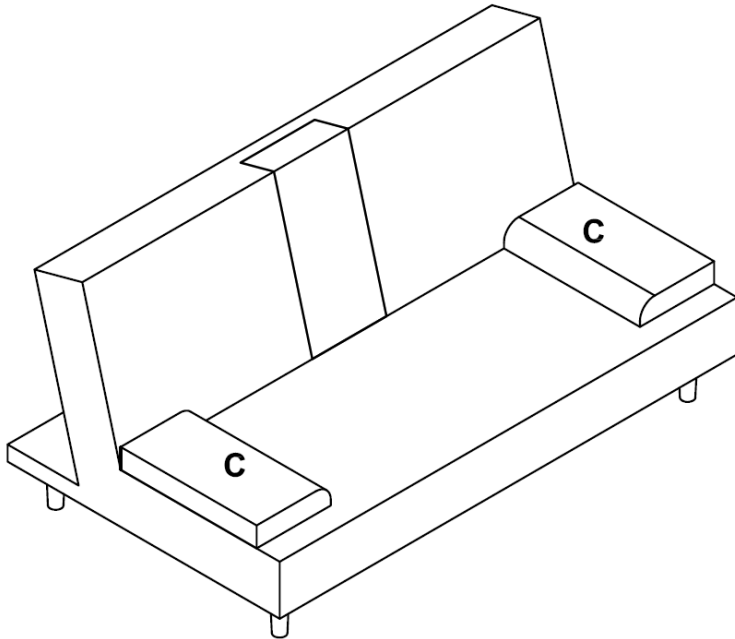
## Step 2

Fold up the sofa to use it as a sofa seater.



### Step 3

Place the handrail cushions on both the sides of the sofa.



**Complete!**



**Need more information?**

We hope that this user guide has given you the assistance needed for a simple set-up. For the most up-to-date guide for your product, as well as any additional assistance you may require, head online to **[help.kogan.com](https://help.kogan.com)**

**kogan.com**