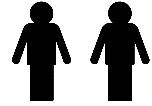
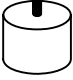
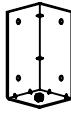

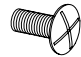

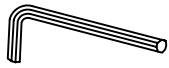
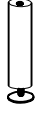
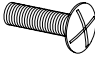
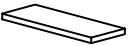



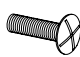





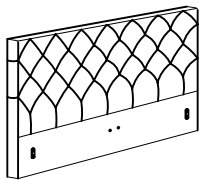
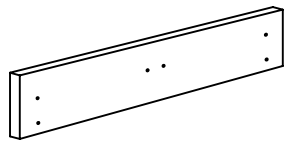
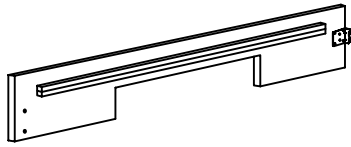
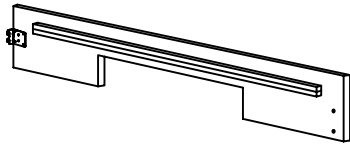
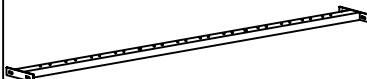







Tools Needed
2 person build



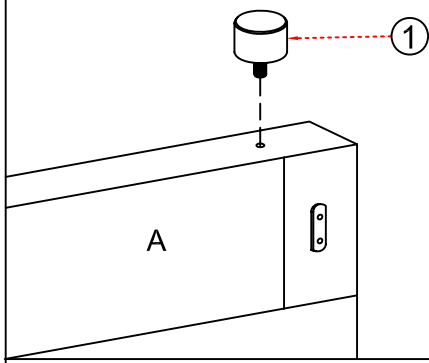
BED FITTINGS

					
Feet	Brackets	Washers (m8)	Bolts (m8*20)	Gold Bolts (m8*18)	Allen Key (M5)
① X 4	② X 2	③ X 20	④ X 14	⑤ X 4	⑥ X 1
					
Metal Support legs	Bolts (m6*35)	Felt Pad	Bolts (M7x38)	Wheel	Screws(M8*16)
⑦ X 2	⑧ X 2	⑨ X 1	⑩ X 48	⑪ X 16	⑫ X 32
					
Bolts (m8*30)	End plastic cap(Big)	End plastic cap(Small)	Slats		
⑬ X 8	⑭ X 12	⑮ X 24	⑯ X 24		

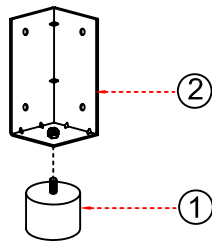
PART LIST

			
Headboard	Footboard	Side Rail (L)	Side Rail (R)
A X 1	B X 1	C X 1	D X 1
			
Center Rail	Cross Rail	Drawer Front	Inner Drawer Front
E X 1	F X 1	G X 4	H X 4
			
Drawer Side	Drawer Back	Drawer Base board	Drawer Supporter
I X 8	J X 4	K X 4	L X 8

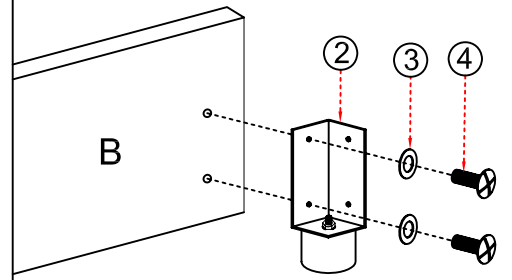
Step 1



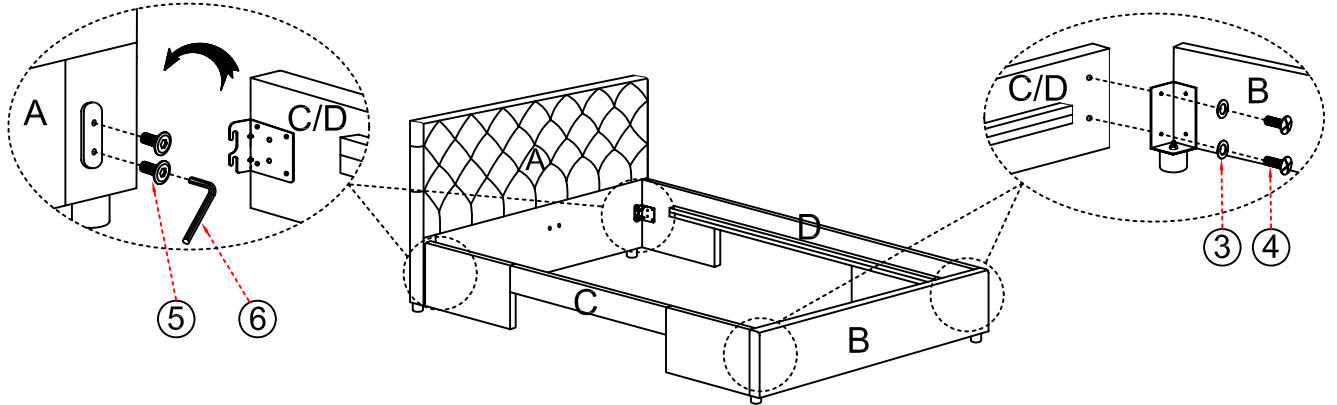
Step 2



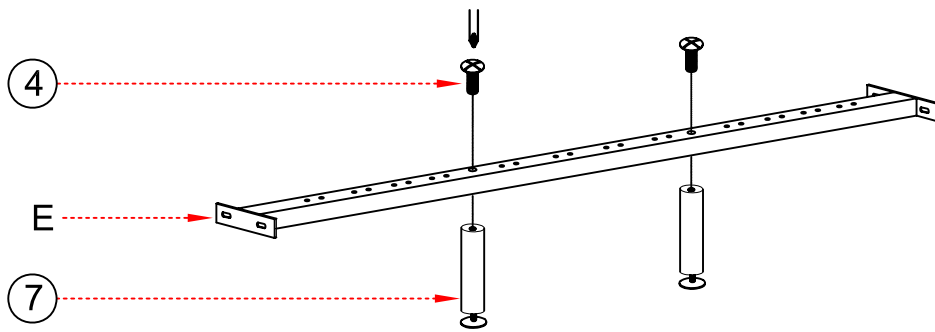
Step 3



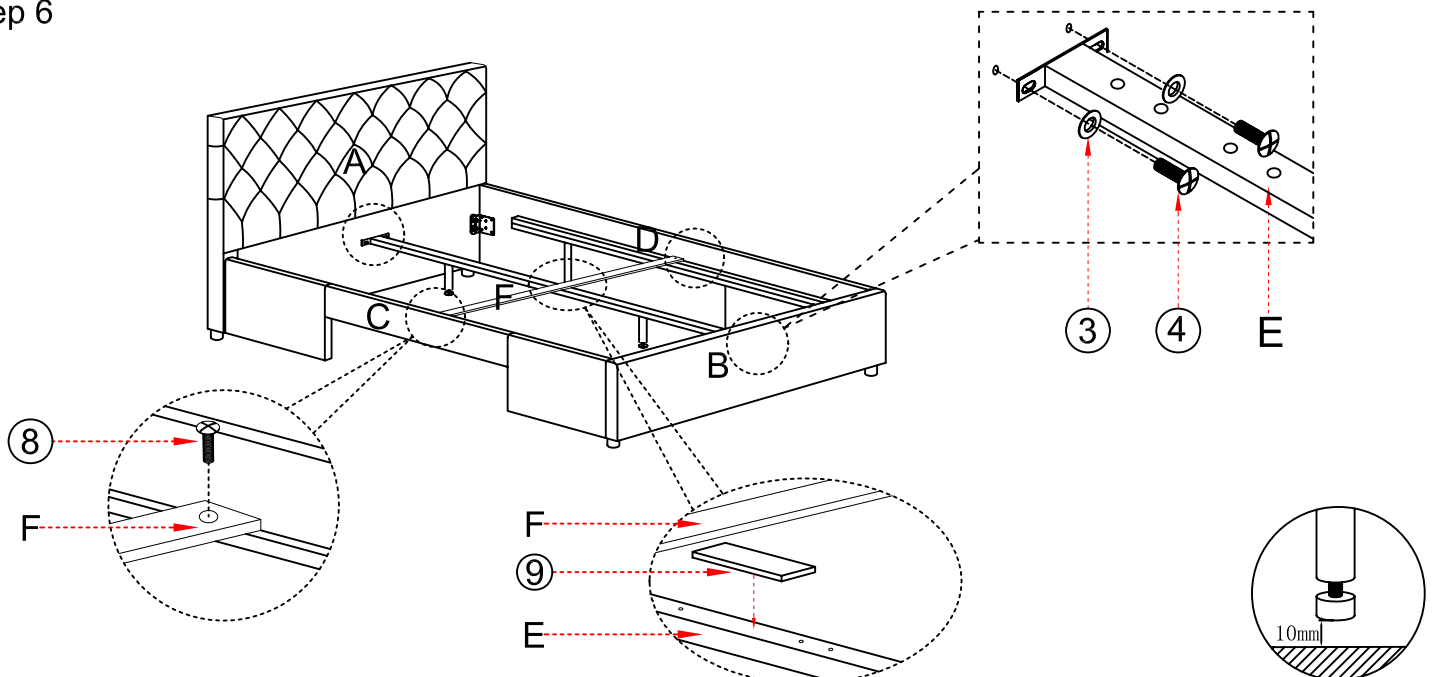
Step 4



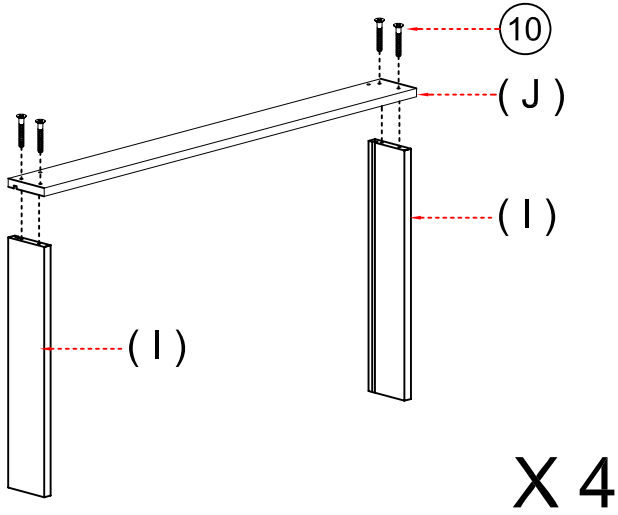
Step 5



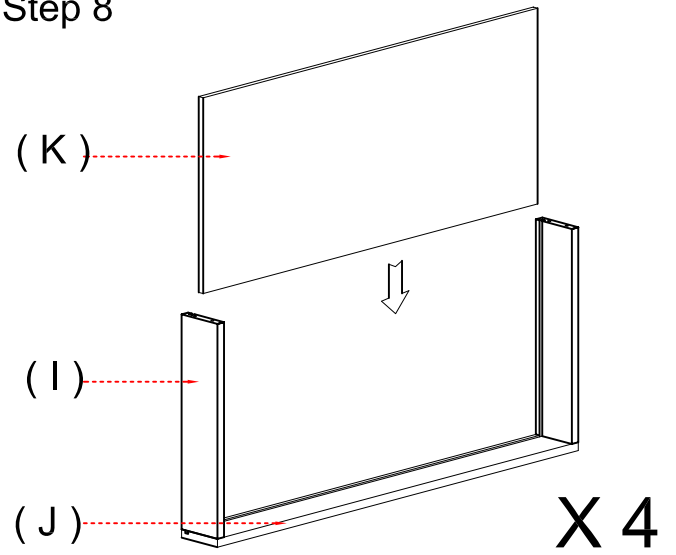
Step 6



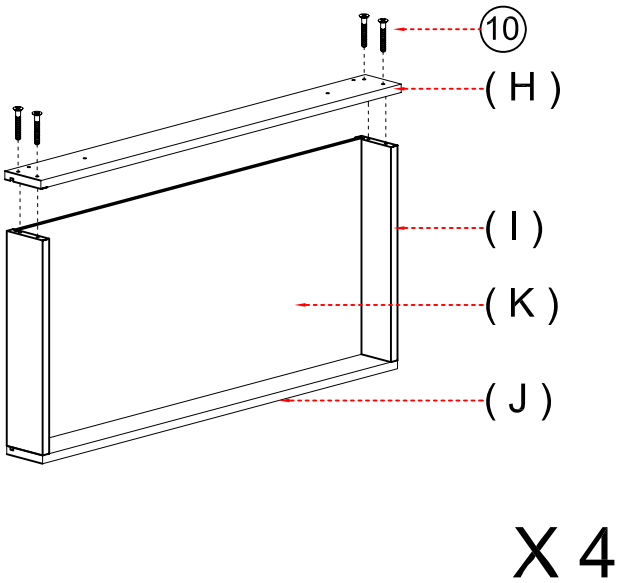
Step 7



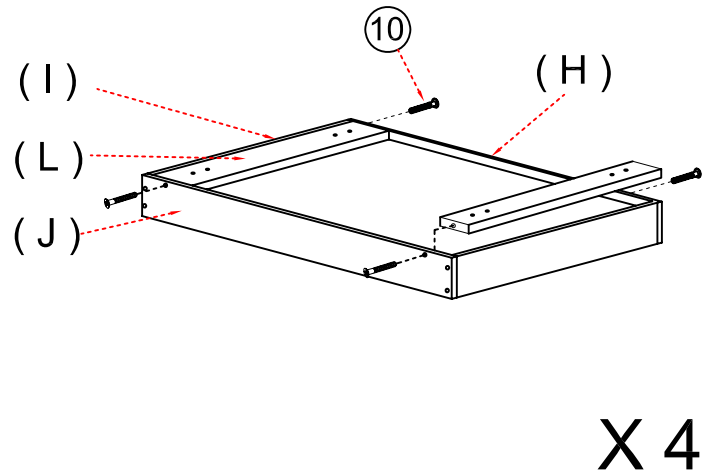
Step 8



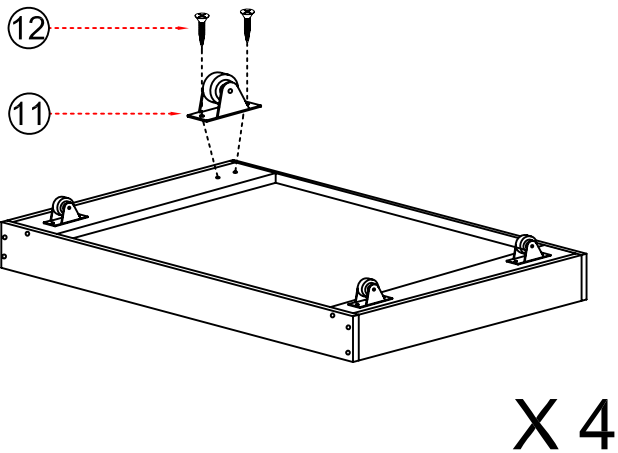
Step 9



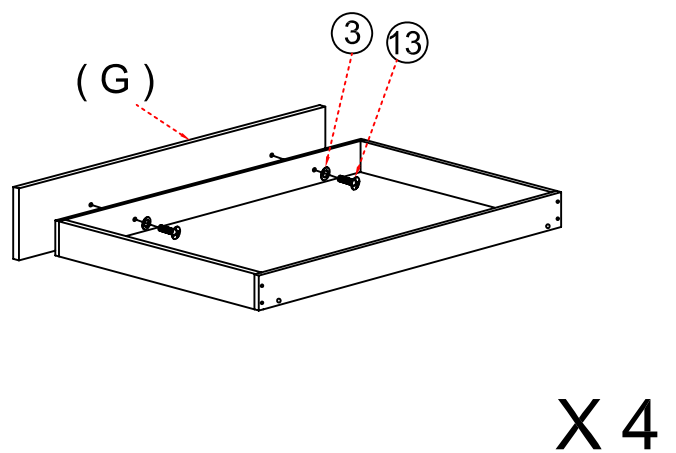
Step 10



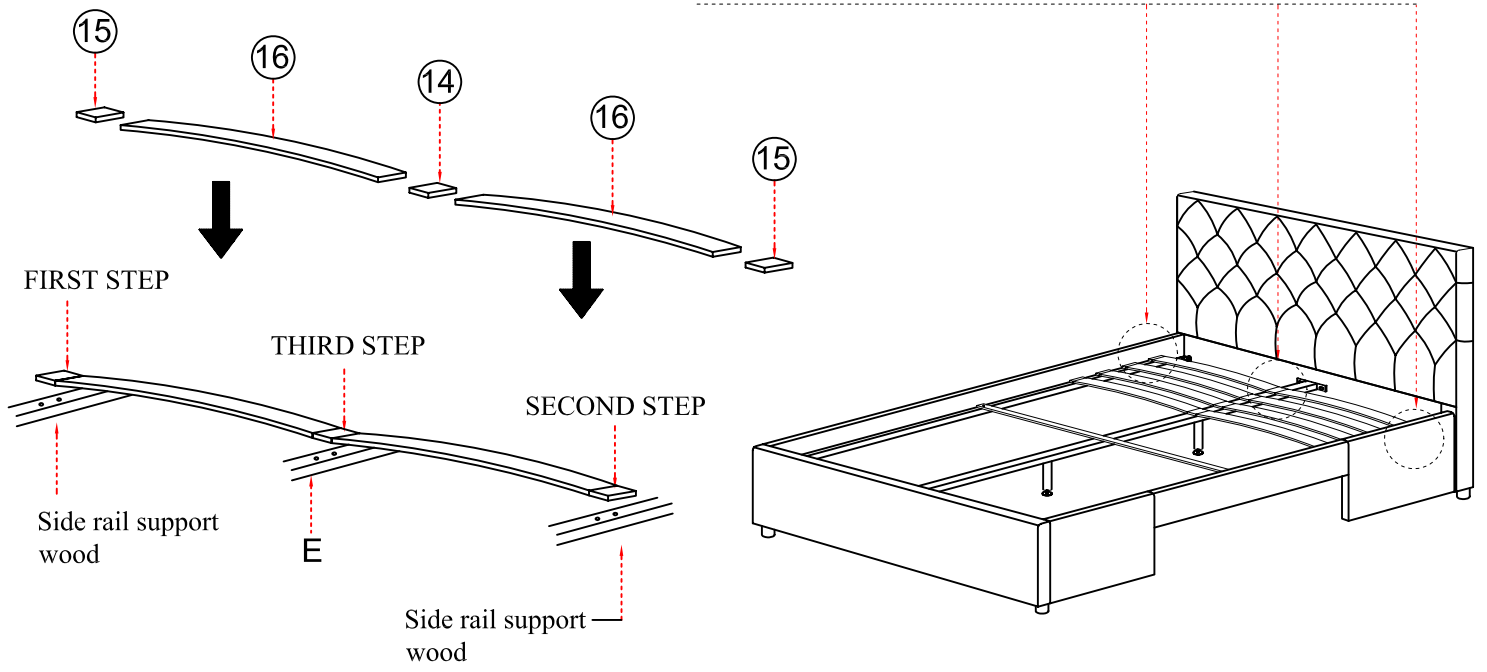
Step 11



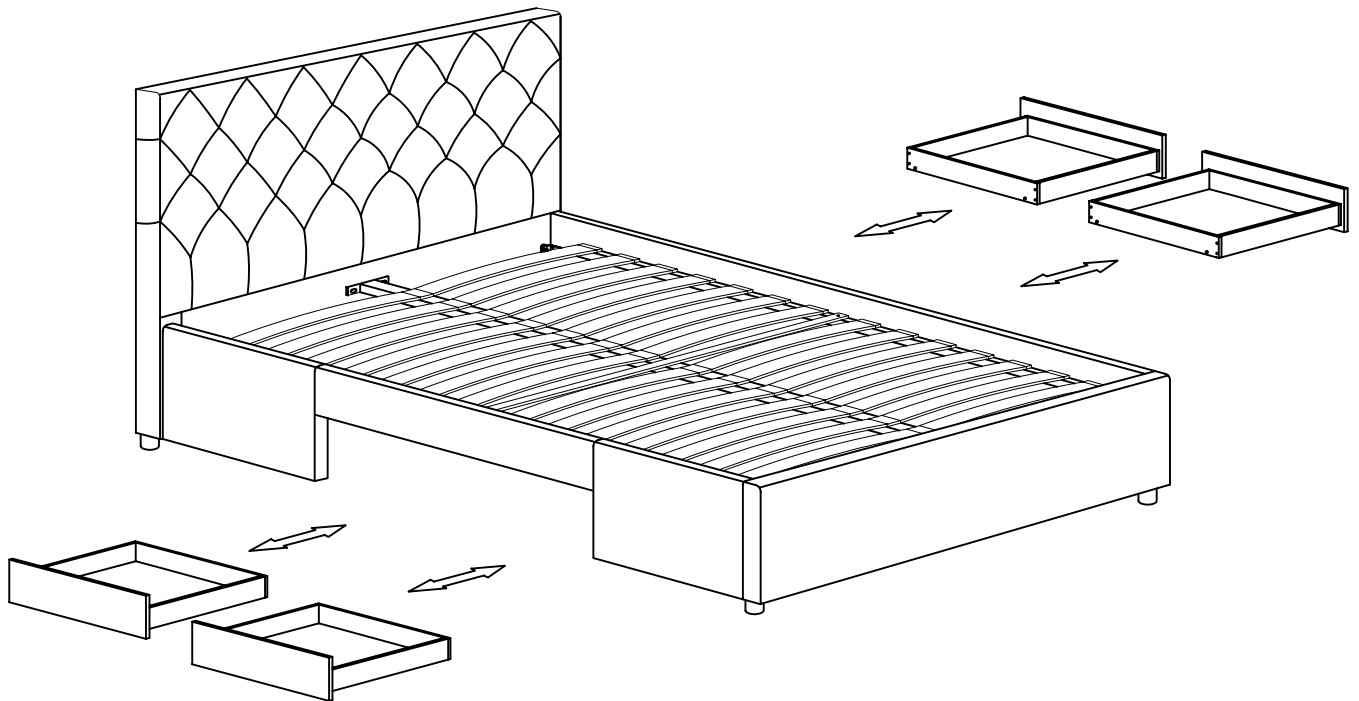
Step 12



Step 13



Step 14



REMARK : ONCE BED IS ASSEMBLED, **DO NOT** SIT, STAND OR APPLY WEIGHT DIRECTLY TO SLATS UNLESS MATTRESS IS IN PLACE.