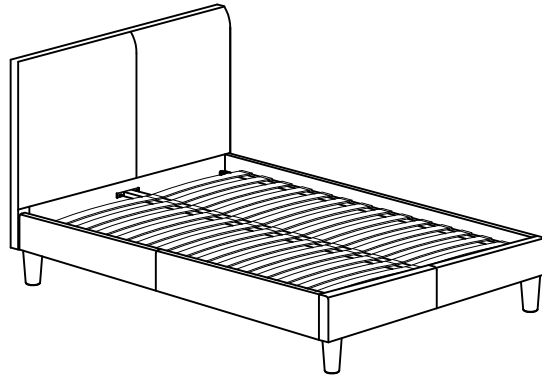


ovela



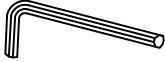
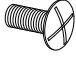


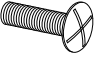
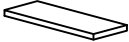



ASSEMBLY INSTRUCTIONS



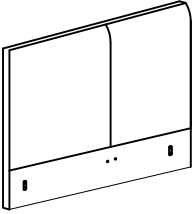
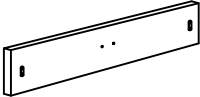
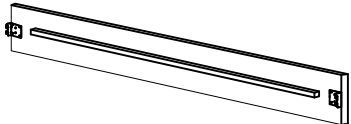
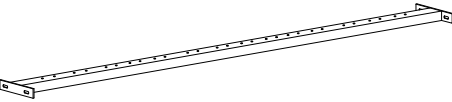
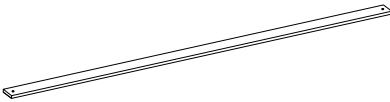
Tools Needed
2 person build



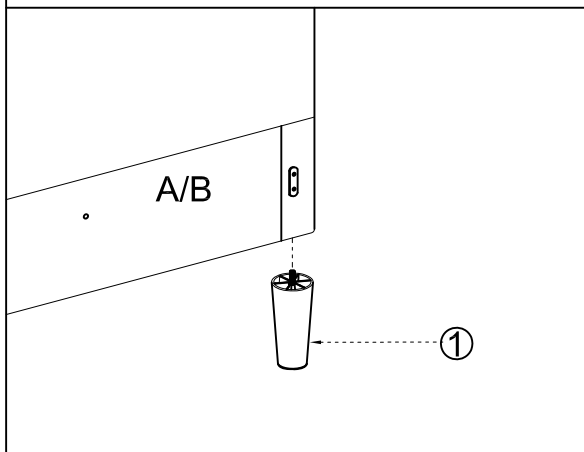
BED FITTINGS

					
① X 4	② X 8	③ X 1	④ X 6	⑤ X 2	⑥ X 4
					
⑦ X 2	⑧ X 1	⑨ X 14	⑩ X 28	⑪ X 28	

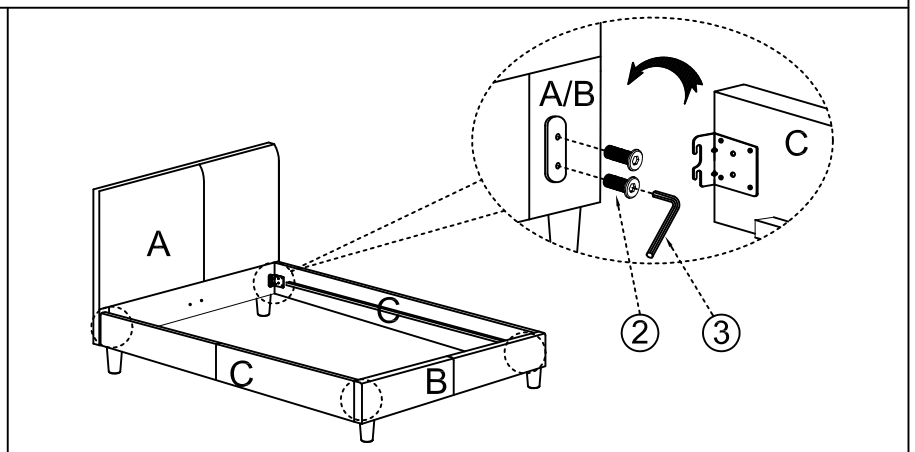
PART LIST

		
Headboard	Footboard	Side Rails
A X 1	B X 1	C X 2
		
Center Support	Wooden Support	
D X 1	E X 1	

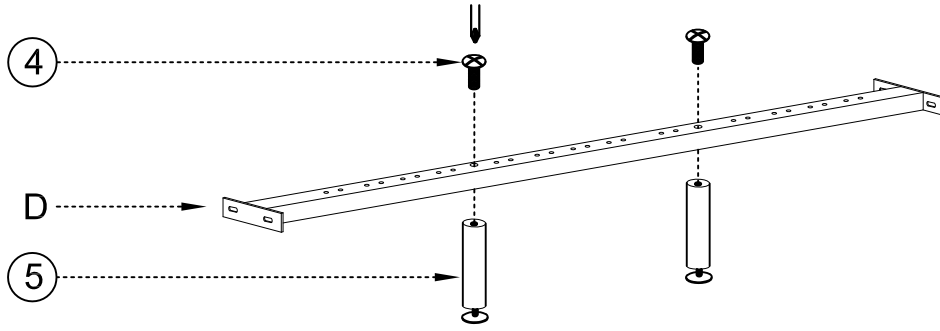
Step 1



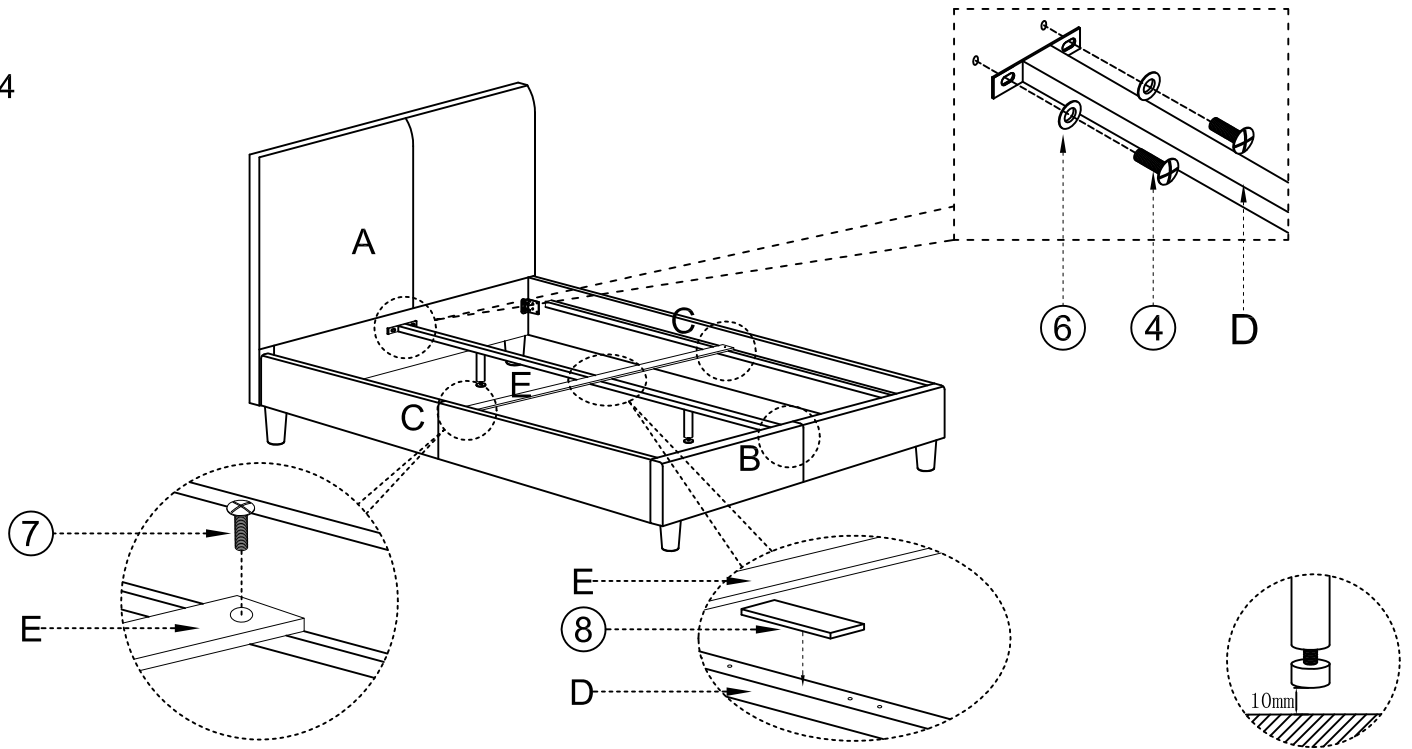
Step 2



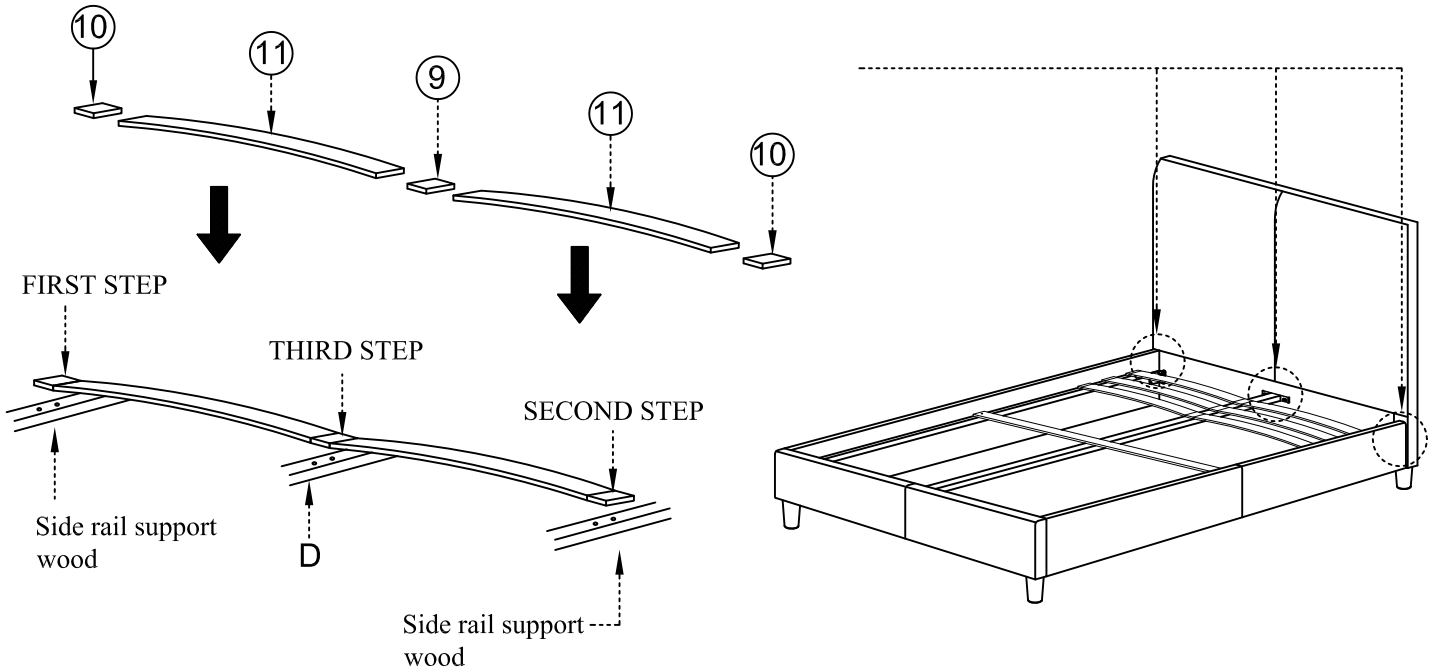
Step 3



Step 4



Step 5



REMARK : ONCE BED IS ASSEMBLED, **DO NOT** SIT, STAND OR APPLY WEIGHT DIRECTLY TO SLATS UNLESS MATTRESS IS IN PLACE.