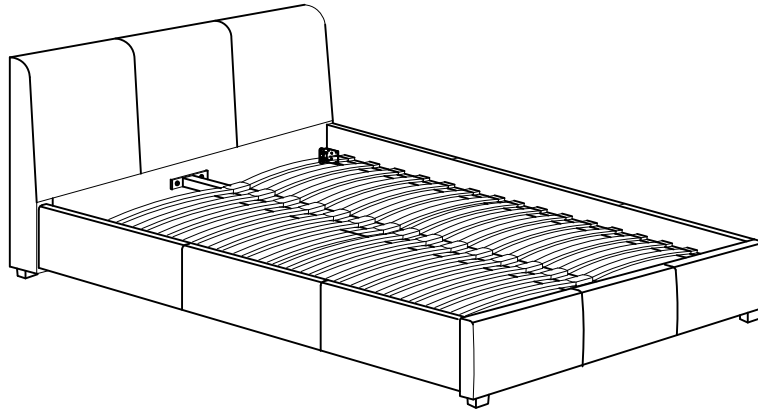


ovela

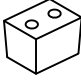


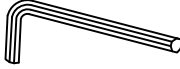






ASSEMBLY INSTRUCTIONS



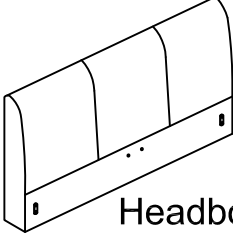
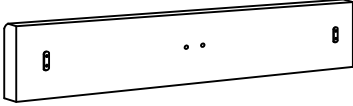

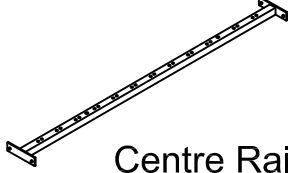
Tools Needed
2 person build



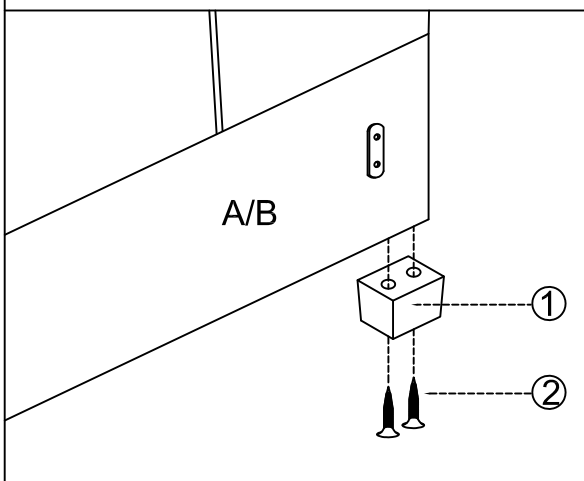
BED FITTINGS

| | | | | |
|---|---|---|---|---|
|  |  |  |  |  |
| Feets | Screws(M8*50) | Gold Bolts (m8*18) | Allen key (m5) | Bolts (m8*25) |
| ① X 4 | ② X 8 | ③ X 8 | ④ X 1 | ⑤ X 6 |
|  |  |  |  |  |
| Washers (m8) | Support legs | End plastic cap(Big) | End plastic cap(Small) | Slats |
| ⑥ X 6 | ⑦ X 2 | ⑧ X 12 | ⑨ X 24 | ⑩ X 24 |

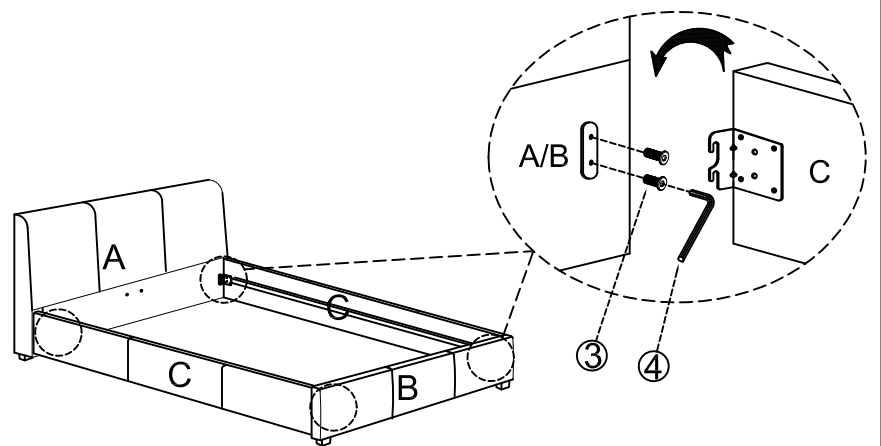
PART LIST

| | |
|---|---|
|  |  |
| Headboard | Footboard |
| A X 1 | B X 1 |
|  |  |
| Side Rails | Centre Rail |
| C X 2 | D X 1 |

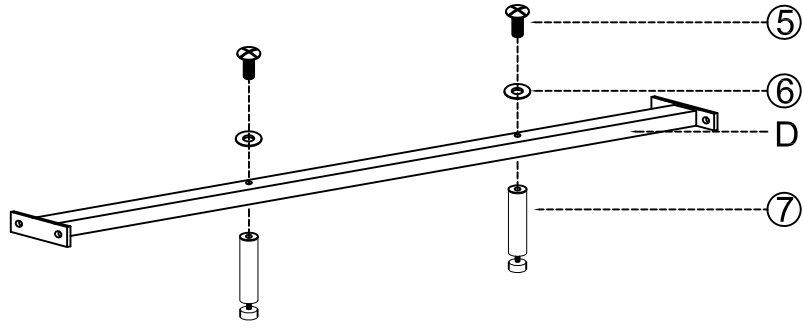
Step 1



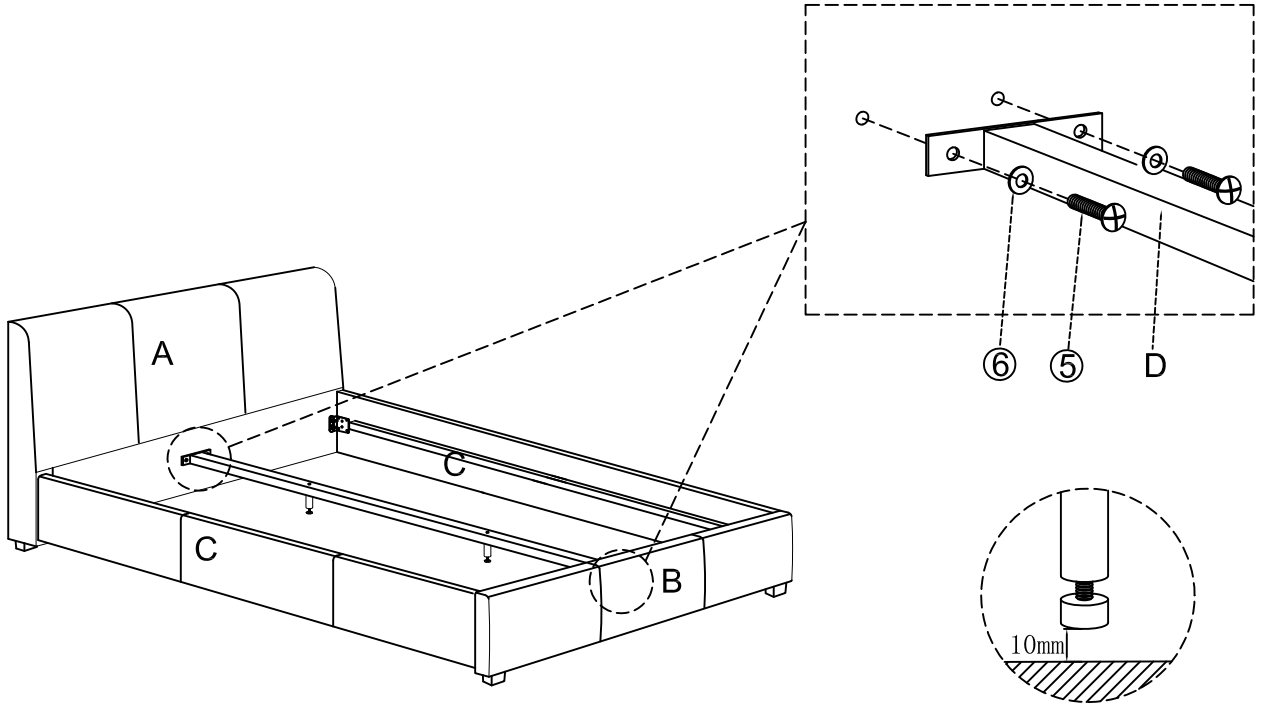
Step 2



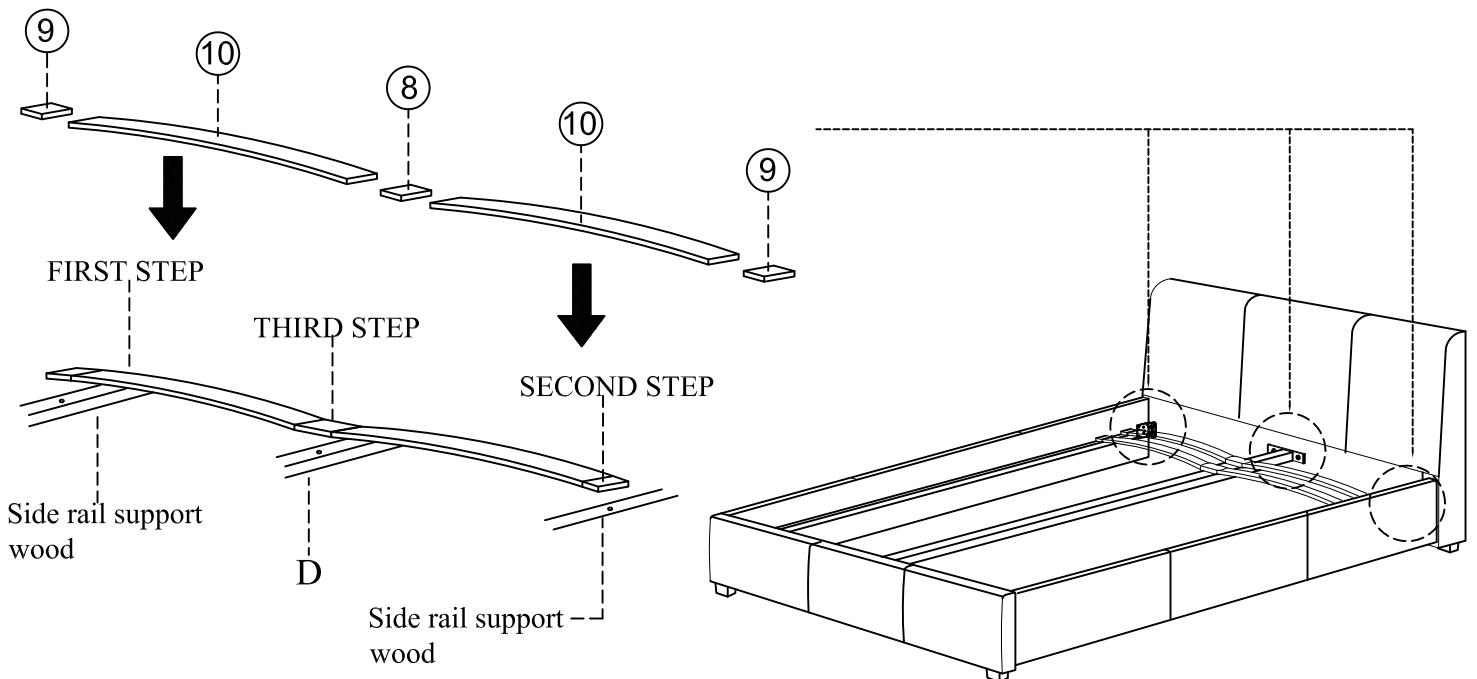
Step 3



Step 4



Step 5



REMARK : ONCE BED IS ASSEMBLED, **DO NOT** SIT, STAND OR APPLY WEIGHT DIRECTLY TO SLATS UNLESS MATTRESS IS IN PLACE.