

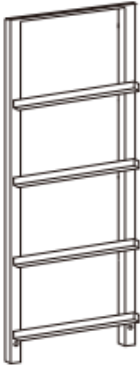
# **4 DRAWER STORAGE CHESTS**

OVCHSTD4DBA & OVCHSTD4DGA

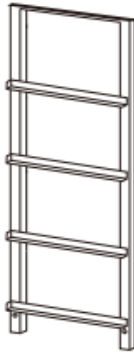


# COMPONENTS

Lay all components out on a clean floor and ensure all parts are included. If any pieces are missing, check all packaging thoroughly, then contact [help.Kogan.com](http://help.Kogan.com) for assistance.



1



2



3



4 (x2)



5 (x4)



6 (x4)



7 (x4)



8



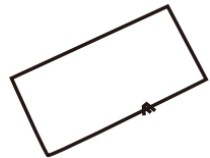
9 (x8)



10 (x4)



11 (x4)






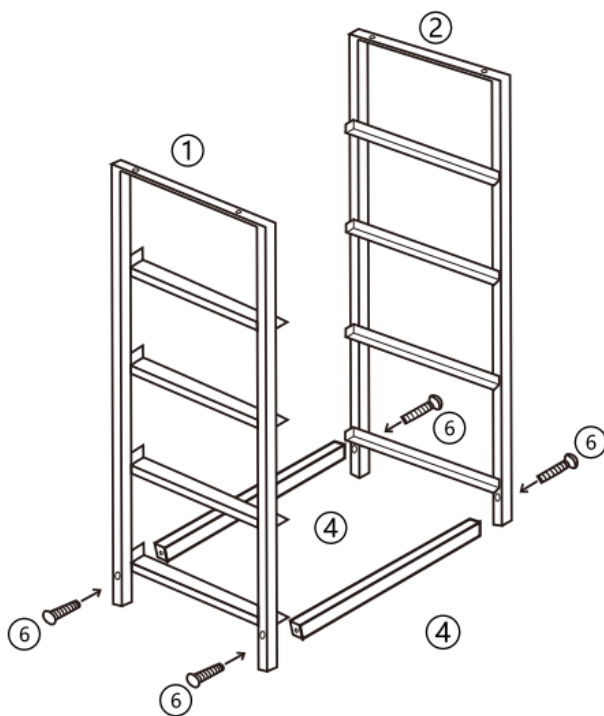
12 (x4)

# ASSEMBLY




**WARNING:** Do not fully tighten the screws until you have completed all assembly steps.

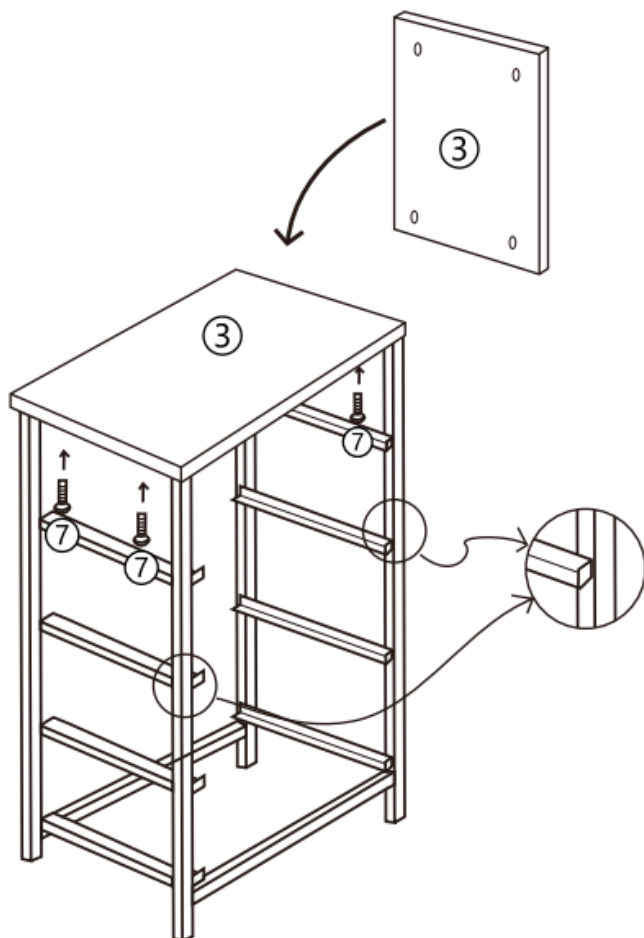
## Step 1:

		
4 (x2)	6 (x4)	8



Step 2:

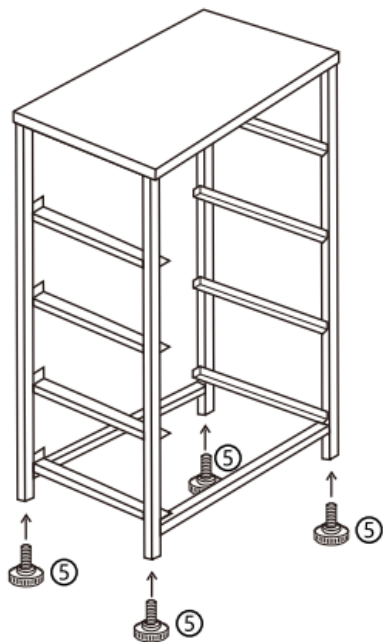
		
3	7(x4)	8







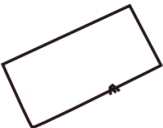
**Step 3:**

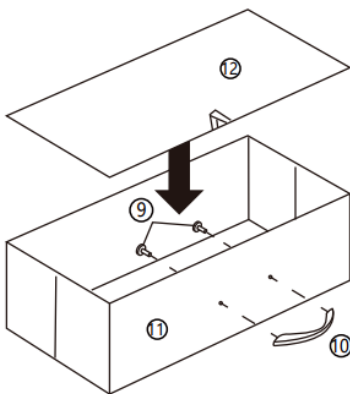


**5 (x4)**

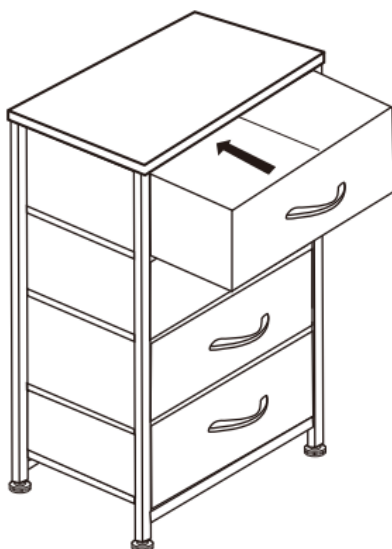


**Step 4:** Repeat this step 4 times.

				
8	9 (x8)	10 (x4)	11 (x4)	12 (x4)



**Step 5:**



### **Need more information?**

We hope that this user guide has given you the assistance needed for a simple set-up. For the most up-to-date guide for your product, as well as any additional assistance you may require, head online to **[help.kogan.com](https://help.kogan.com)**

**kogan.com**