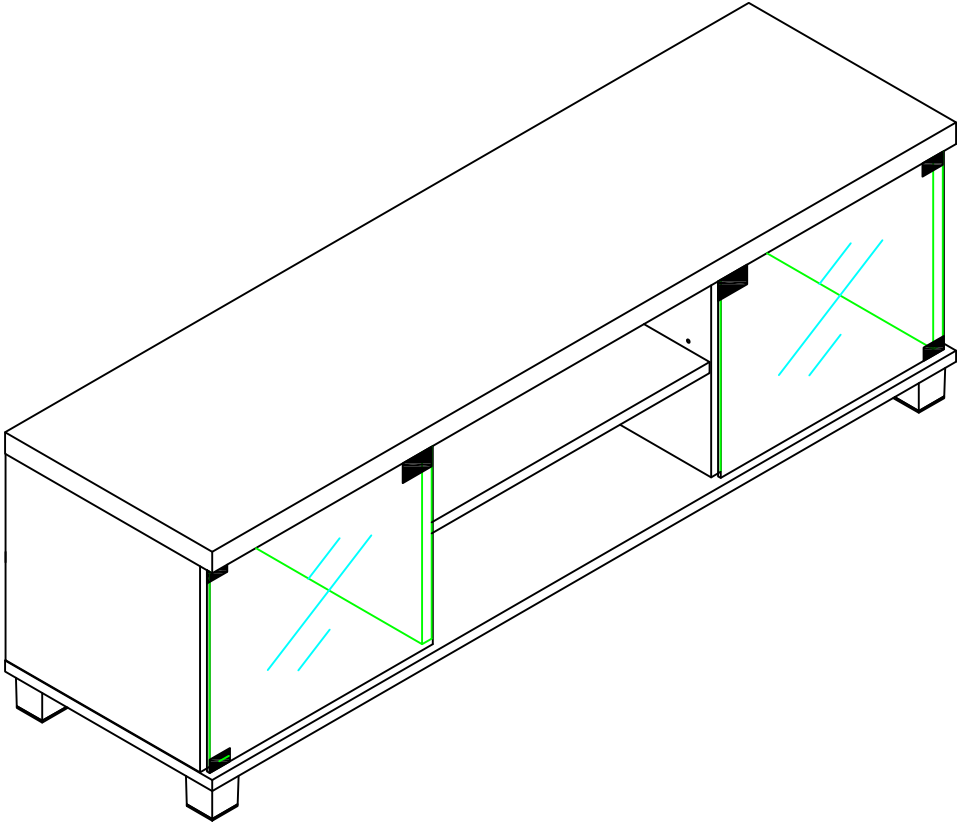


Assembly Instructions

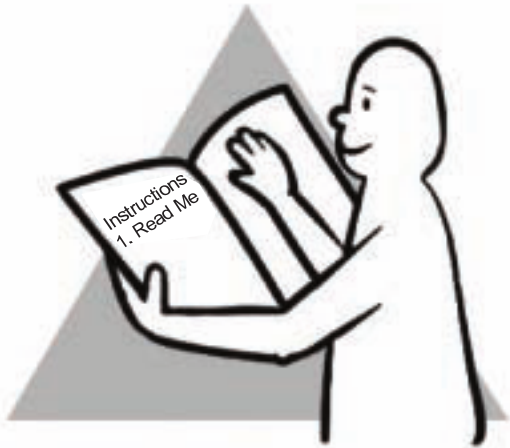
OVELA 2 Glass Door TV Stand



STOP!

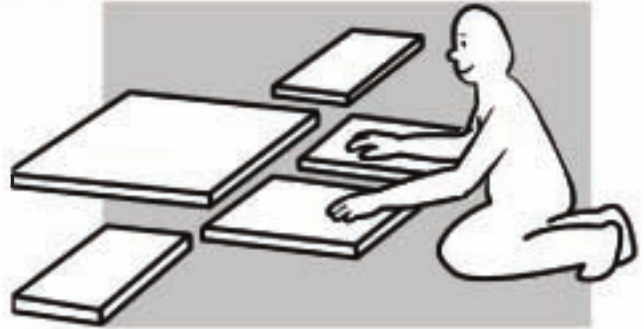
Before you start...

1



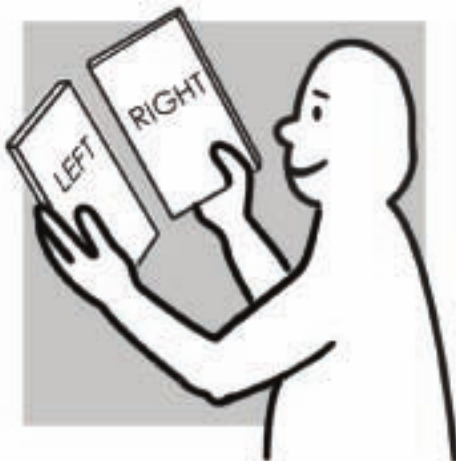
Read instructions carefully.

2



Lay out all of the components on a soft surface as if you were preparing to do a jigsaw puzzle.

3



Carefully identify each component, especially those that are similar. The most common mistake is getting things back to front.

4



Separate and identify each component from the hardware pack and rest each one in its proper location before fastening.

5



Do not over-tighten screws.

6

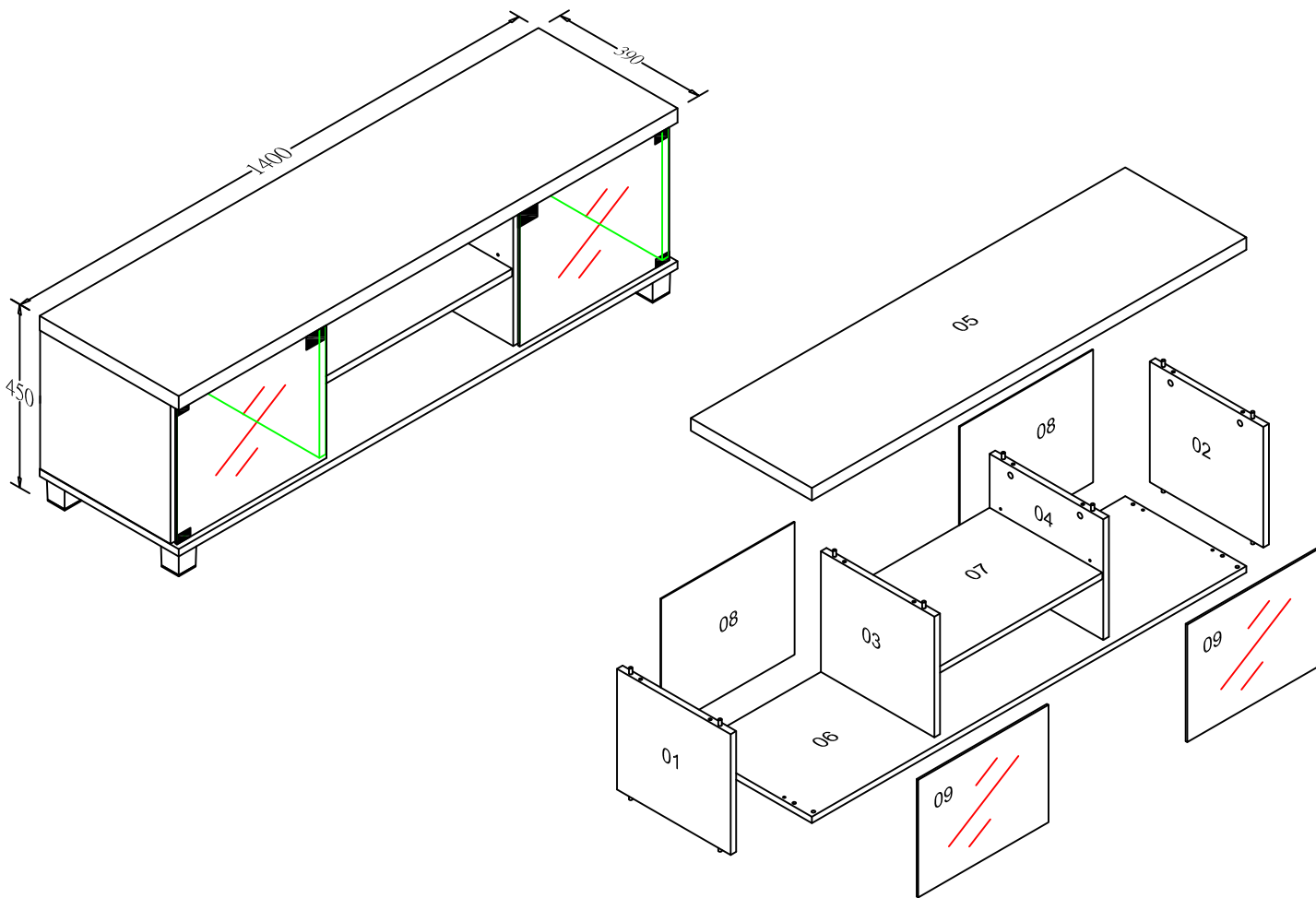


Do not set glue until you are certain that the parts belong together.

HERE'S HOW










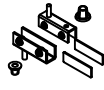



OVELA 2 Glass Door TV Stand

SOME STEPS MAY REQUIRE TWO PEOPLE.

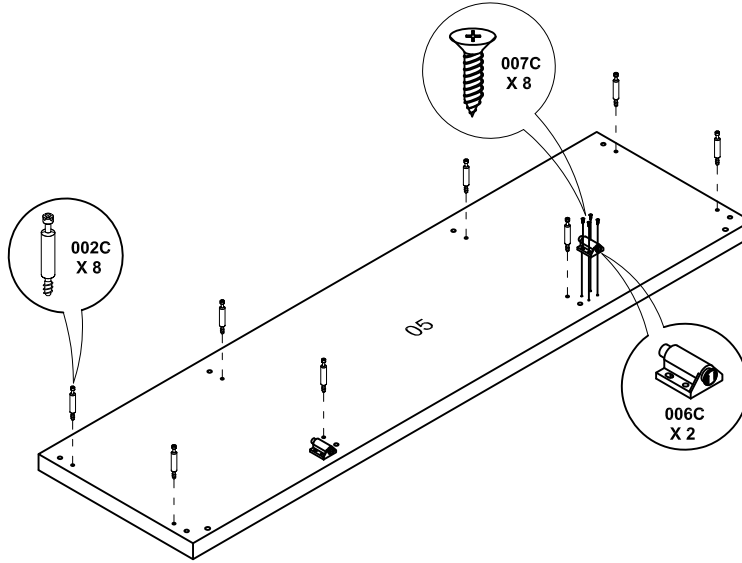
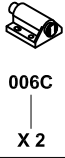
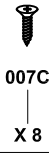
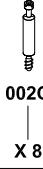
TOOLS REQUIRED



- | | | | | | | | | | |
|--|---|---|---|---|---|---|---|---|---|
|  |  |  |  |  |  |  |  |  |  |
| 001C | 002C | 003C | 004C | 005C | 006C | 007C | 008C | 009C | 010C |
| X 8 | X 8 | X 6 | X 6 | X 24 | X 2 | X 8 | X 8 | X 2 | X 2 |
| | | | | | | 3.5x15mm | 5.5x45mm | | |
-
- | | | |
|--|---|---|
|  |  |  |
| 011C | 012C | 013C |
| X 4 | X 4 | X 1 |

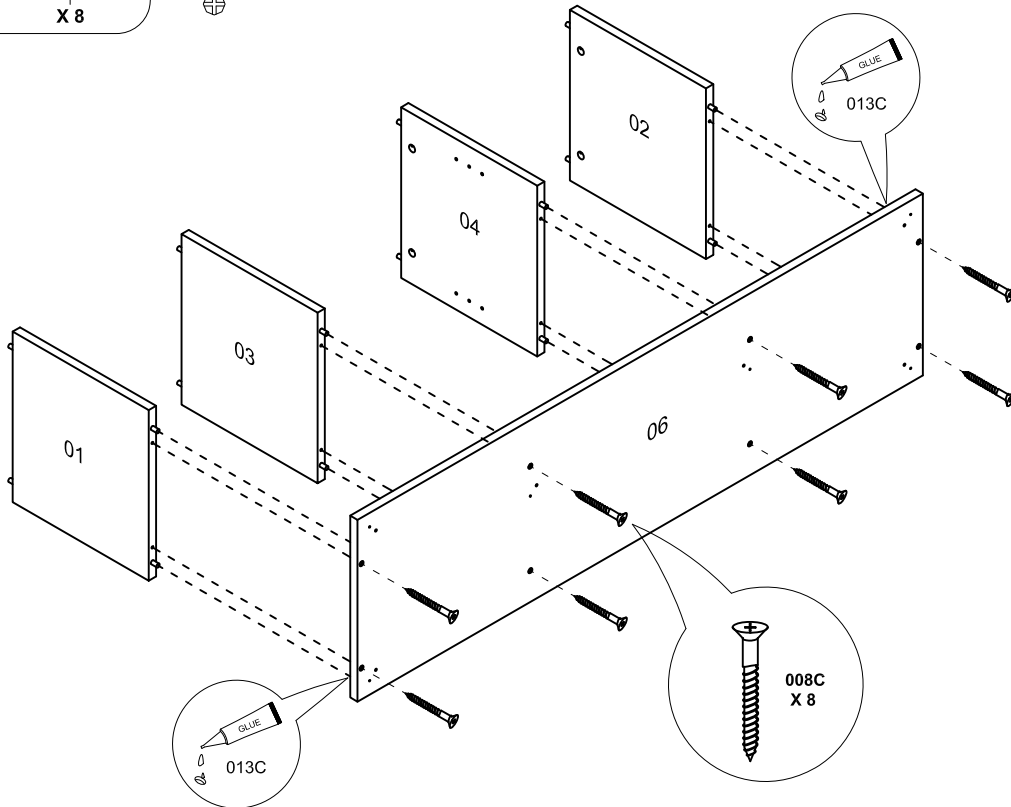
STEP 1

Will require these parts:



STEP 2

Will require these parts:



STEP 3

Will require these parts:

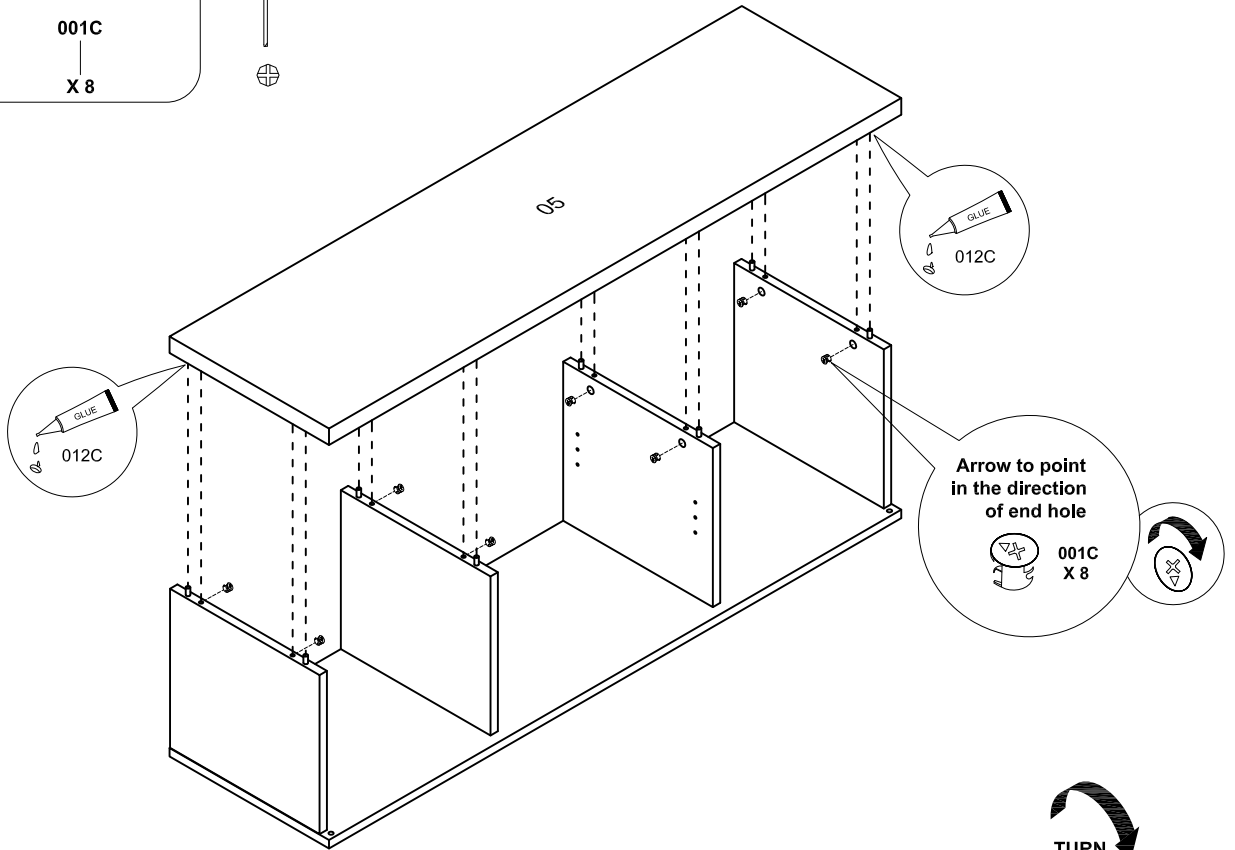


013C



001C

X 8



TURN OVER

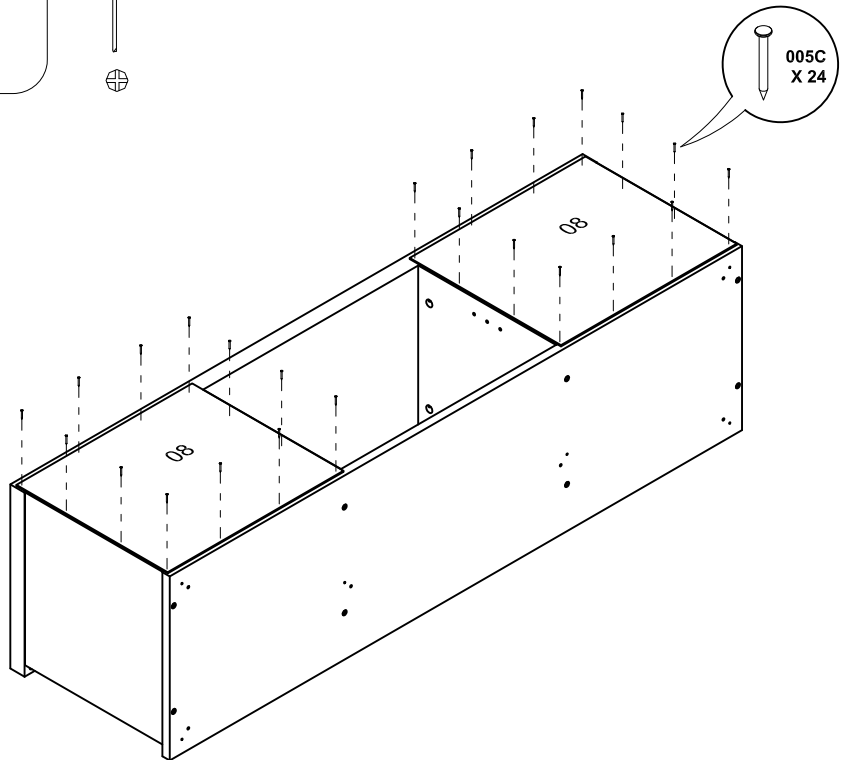
STEP 4

Will require these parts:



005C

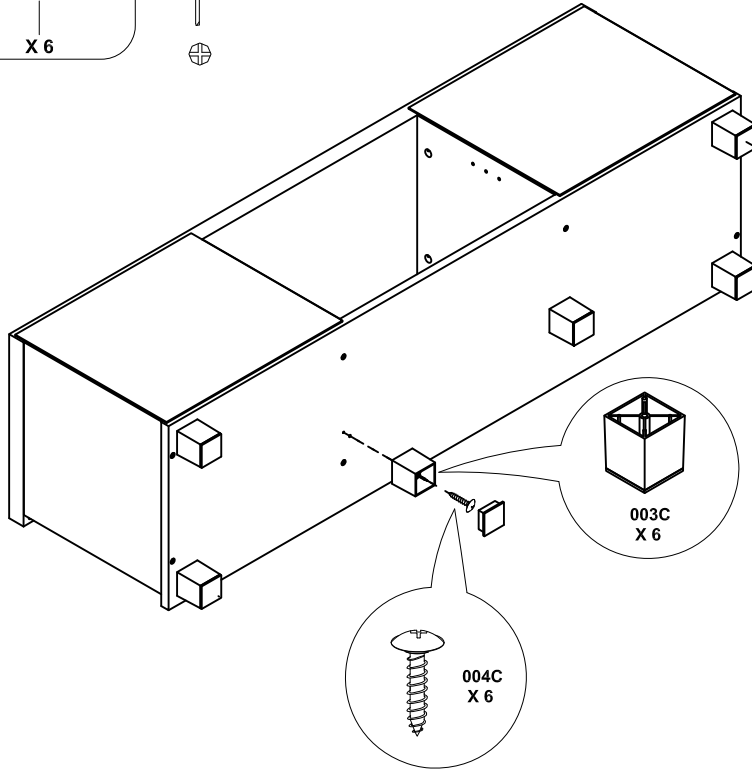
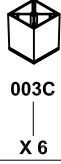
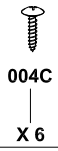
X 24



TURN OVER

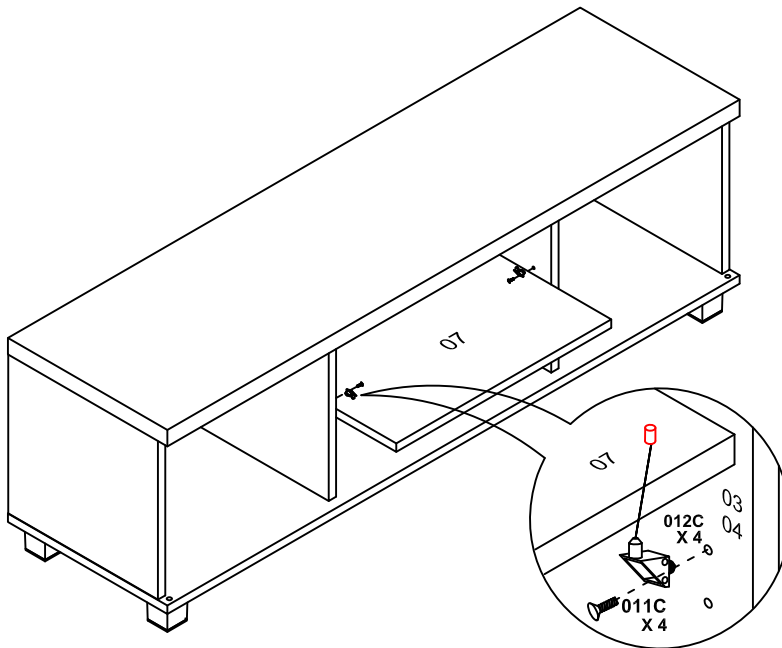
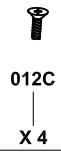
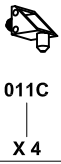
STEP 5

Will require these parts:



STEP 6

Will require these parts:



STEP 7

Will require these parts:



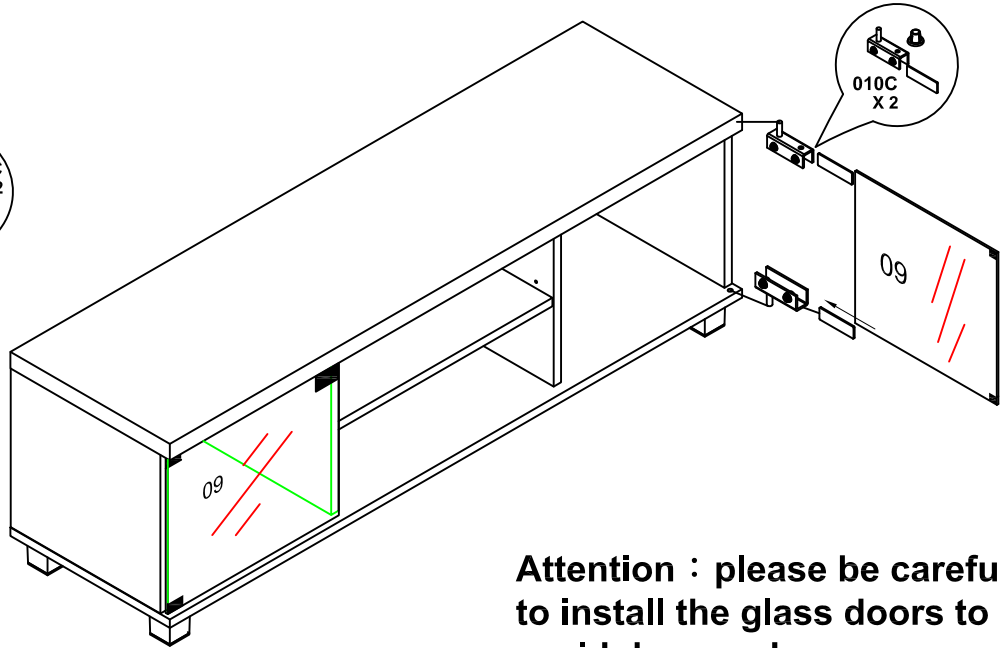
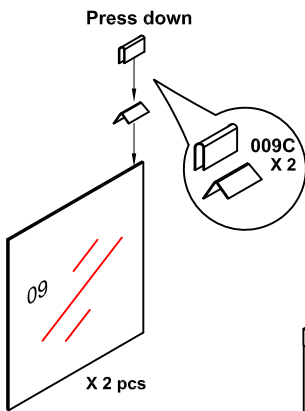
009C

X 2



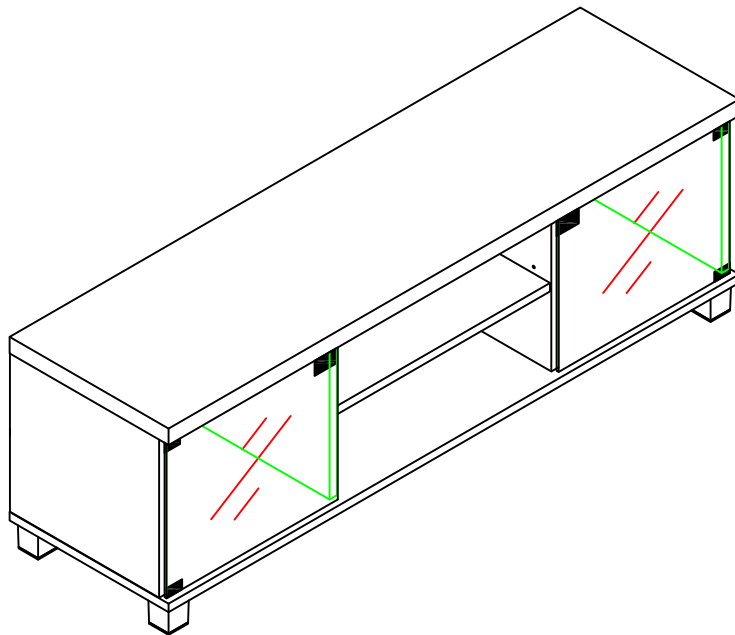
010C

X 2



Attention : please be careful to install the glass doors to avoid damaged

STEP 8



The job is now complete!

In the interest of our environment please dispose of all packaging thoughtfully.