


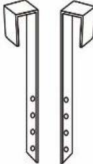








ovela

Jewellery Cabinet OVDORJWLCSWA & OVDORJWLCSBA User Manual

Assistance may be required for the assembly of this product.

What's In The Box

<p>A</p>  <p>Jewellery Cabinet with Mirror x 1</p>	<p>X</p>  <p>Double Sided Tape x 1</p>	<p>R2</p>  <p>PVC Tray x 3</p>	<p>M</p>  <p>Overdoor Hangers x 2</p>	<p>O</p>  <p>Wall Anchors x 2</p>
<p>K</p>  <p>Knob x 1</p>	<p>N</p>  <p>Hanger Screws x 4</p>	<p>L</p>  <p>Knob Screw x 1</p>	<p>Q</p>  <p>EVA Pad x 4</p>	<p>P</p>  <p>Wall Anchor Screws x 2</p>

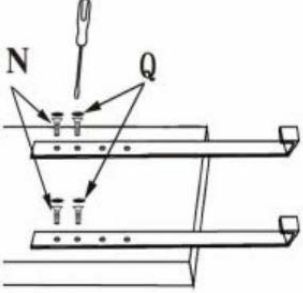
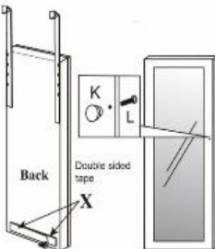

The loose parts above will be located inside your cabinet upon delivery. Please lay them all out and count each part to ensure that all parts are present.

If any parts are missing, please contact the Kogan.com customer support team.

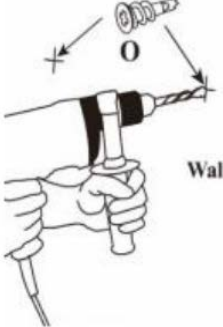
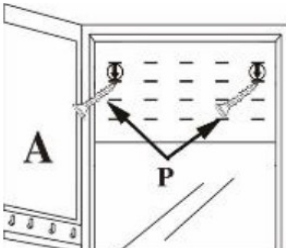

Assembly

When assembling your jewellery cabinet, you can either hang it over the back of a convenient door, or it can be mounted to the wall.

Over Door Assembly

Step One	Step Two	Step Three
 <p>Screw in all 4 screws tightly to secure the hangers to the back of the cabinet.</p>	 <ol style="list-style-type: none">1. Screw knob into place.2. Hang the cabinet over your chosen door.3. Stick double sided tape at the back of cabinet.	 <p>Place trays onto metal rods.</p>

Wall Mount Assembly

Step One	Step Two	Step Three
 <p>Drill the hole after measuring and marking position.</p>	 <p>Screw go through the foam ring-holders where noted the red arrows, from thr inside of the cabinet and into the wall anchors on the wall.</p>	 <p>Place trays onto metal rods.</p>

Maintenance

- Avoid exposure to direct sunlight or other heat sources.
- Keep the cabinet door closed when not in use.
- Wipe the cabinet down with mild furniture cleaners and a soft cloth.
- Open the cabinet door gently to prevent items falling out.
- There may be a smell of paint from the cabinet when you first unpack it. This will not last long.
- Do not allow children to hang off the cabinet or the cabinet door.