










Ovela Mirrored Full Length Jewellery & Accessories Cabinet

OVMIRJCWHTA

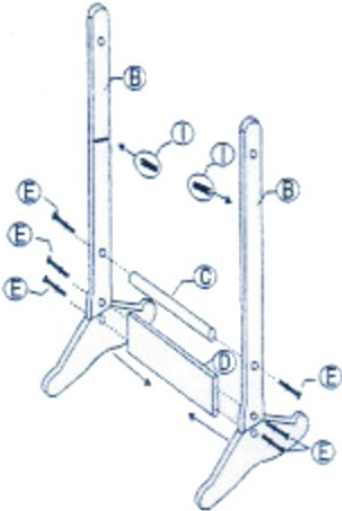
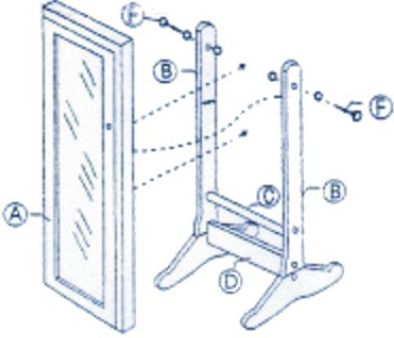
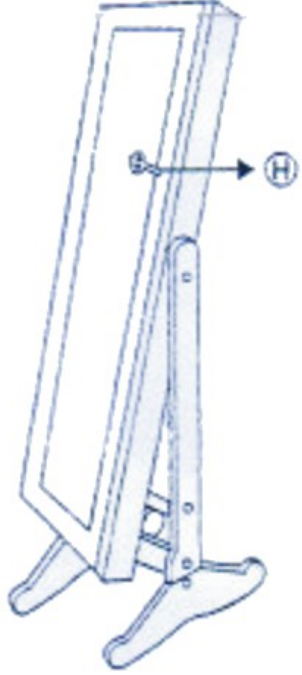
Quick Start Guide

Assistance may be required for assembly of this product.

- The parts below are included in the product.
- The smaller assembly parts will be located in the bottom drawer of the cabinet.

<p>A</p>  <p>1 piece Jewellery cabinet with mirror</p>	<p>B</p>  <p>2 pieces Stand</p>	<p>C</p>  <p>1 piece Connecting rod</p>
<p>D</p>  <p>1 piece Connecting panel</p>	<p>E</p>  <p>6 sets Screw set</p>	<p>F</p>  <p>2 sets Round-headed screw set</p>
<p>G</p>  <p>1 piece Allen key</p>	<p>H</p>  <p>1 piece Door key</p>	<p>I</p>  <p>2 pieces Angle lock pin</p>

Assembly Instructions

Step One	Step Two	Step Three
 <ol style="list-style-type: none">1. Connect panel D to stand B with screws E.2. Connect rod C to stand B with screws E.3. Fix pins I securely to both sides of stand B.	 <ol style="list-style-type: none">1. Keep the cabinet door closed and locked while assembling.2. Connect cabinet A and stand B with screws F.3. For easier assembly, lay cabinet A down on a large flat surface.	 <p>Adjust the mirror to a desired angle, then use pins I to fix securely.</p>

Maintenance and Care

1. Avoid exposure to direct sunlight and heat sources.
2. Keep cabinet door closed when not in use.
3. Use mild furniture cleaners to clean the cabinet.
4. Open the cabinet door gently to avoid spilling of contents or damage to the door.
5. The new cabinet may have a paint odour upon first unpacking. This will disappear in a short time.