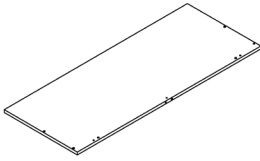


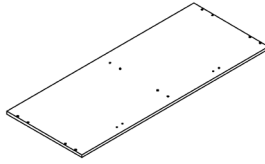
MONTREAL DESK

OVMONTDKOWA

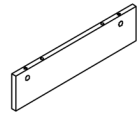
COMPONENTS



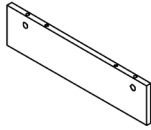
A. Desktop



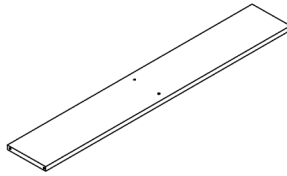
B. Bottom panel



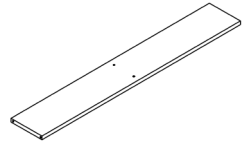
C. Side panel (left)



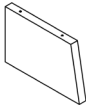
D. Side panel (right) (x2)



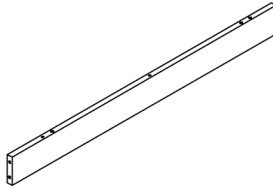
E. Top panel



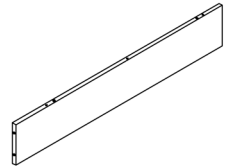
F. Upper bottom panel



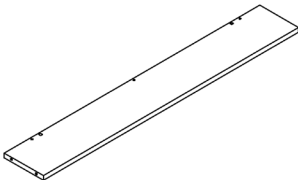
G. Upper middle panel



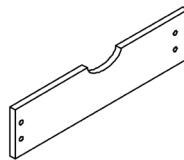
H. Upper cross panel



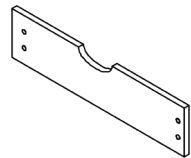
I. Upper cross panel



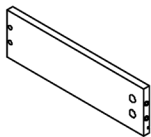
J. Upper shelf panel



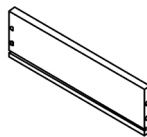
K. Drawer front panel
(Left)



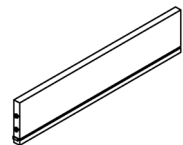
L. Drawer front panel
(Right)



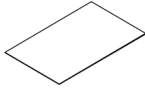
M. Drawer side panel
(Left) (x2)



N. Drawer side panel
(Right) (x2)



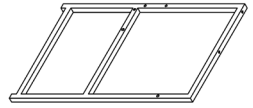
O. Drawer back panel
(Left) (x2)



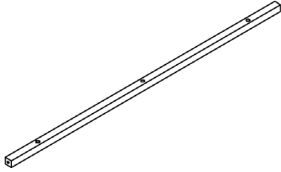
P. Drawer bottom panel (x2)



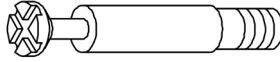
Q. Side frame-Upper (x2)



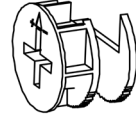
R. Side frame-Under (x2)



S. Cross bar



T. 6x35mm Locking Screws (x14)



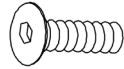
U. ø15mm Locking Nut (x14)



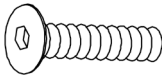
V. ø8x30mm Dowel (x16)



W. ø4x35mm Screws (x18)



X. 6x30mm Screws (x3)



Y. 6x45mm Screws (x6)



Z. 7x50mm Screws (x26)



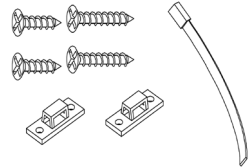
A1. Allen key



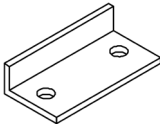
A2. Washer (x9)



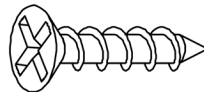
A3. Spring Washer (x9)



A4. Anti-Toppling Kit (x1)



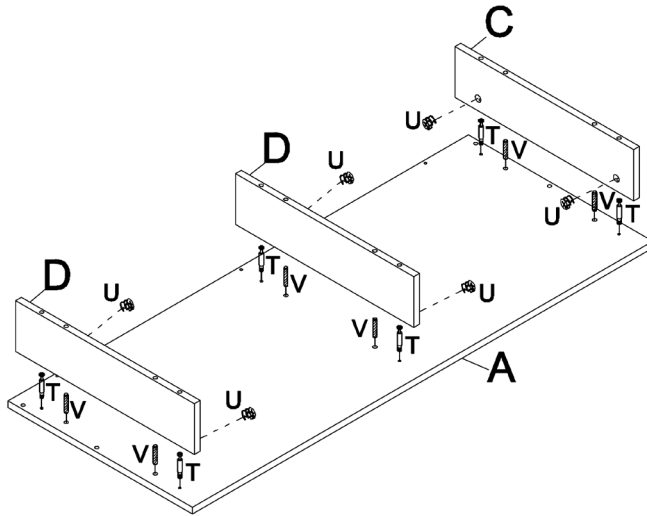
A5. Bracket (x2)



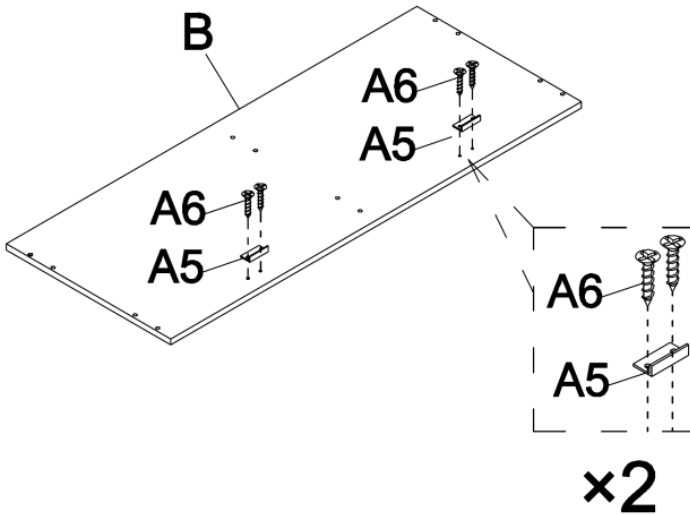
A6. ø4x12mm Screws (x4)

ASSEMBLY

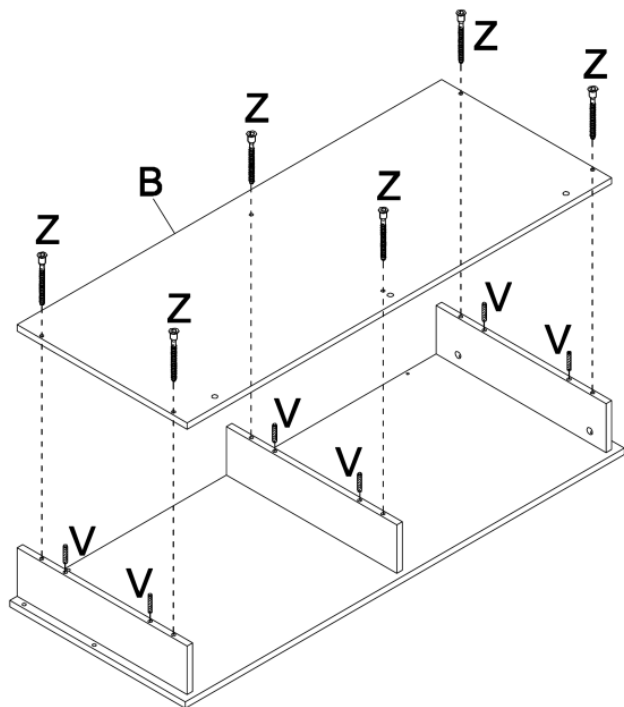
Step 1



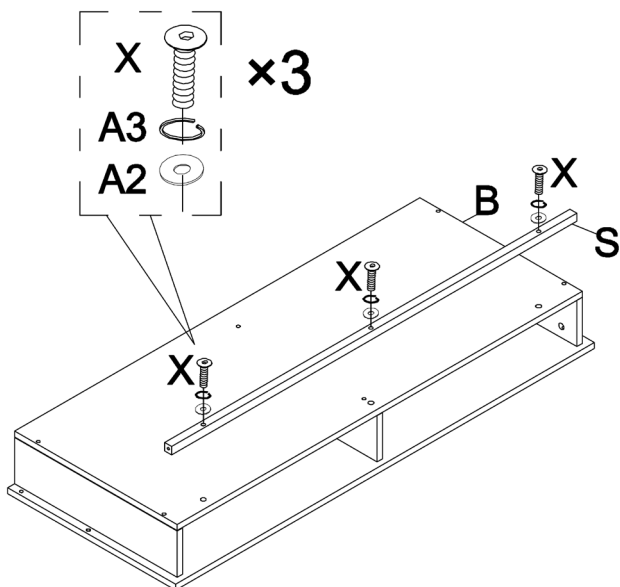
Step 2



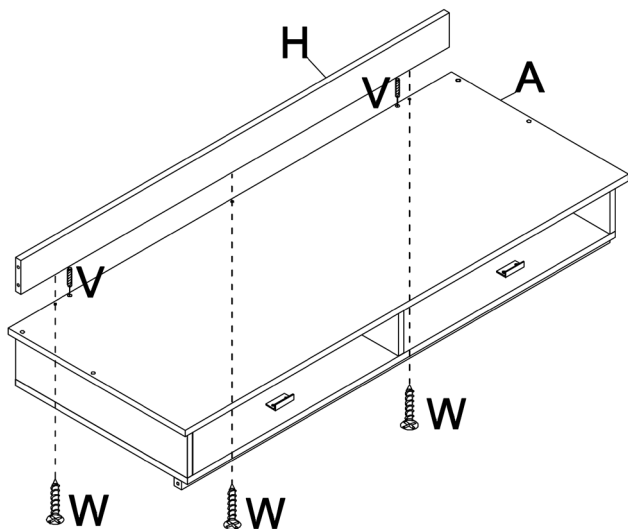
Step 3



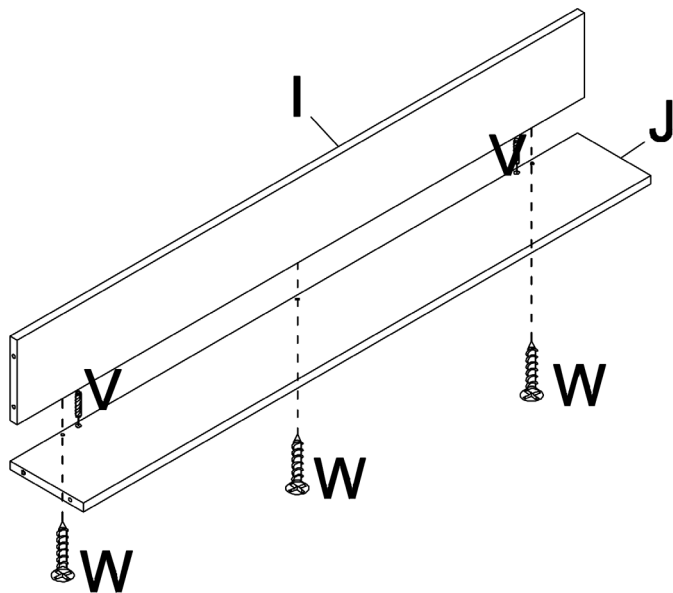
Step 4



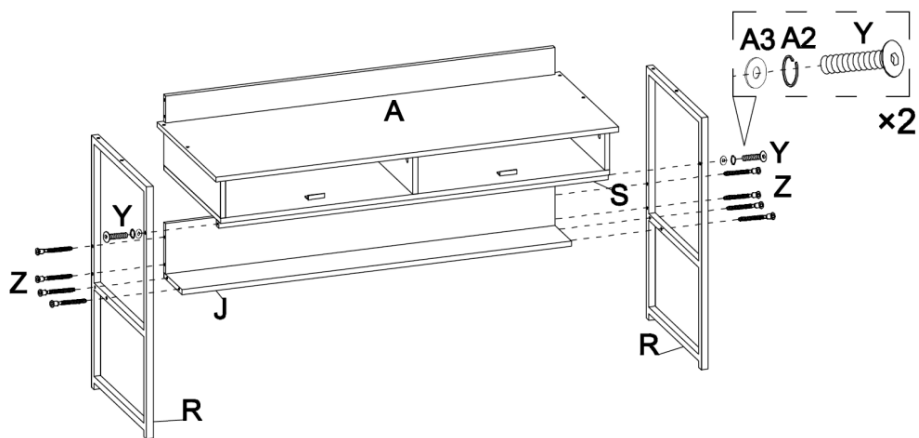
Step 5



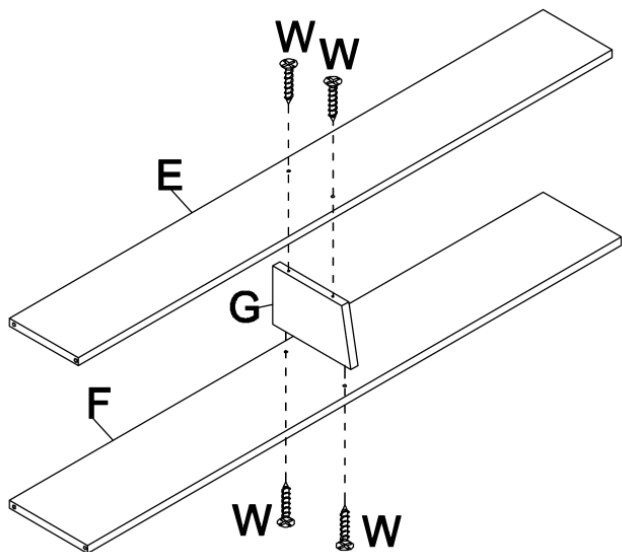
Step 6



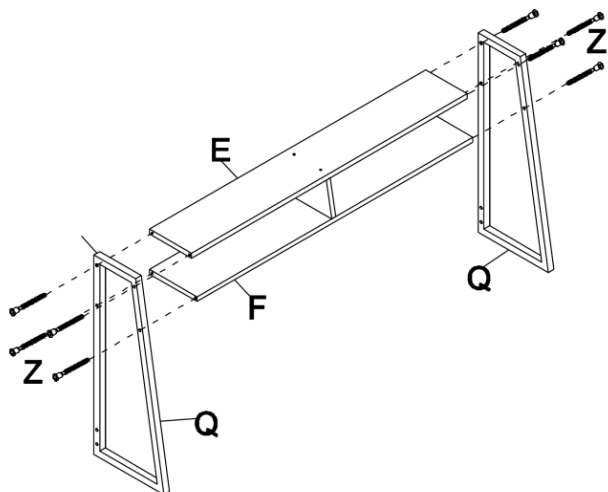
Step 7



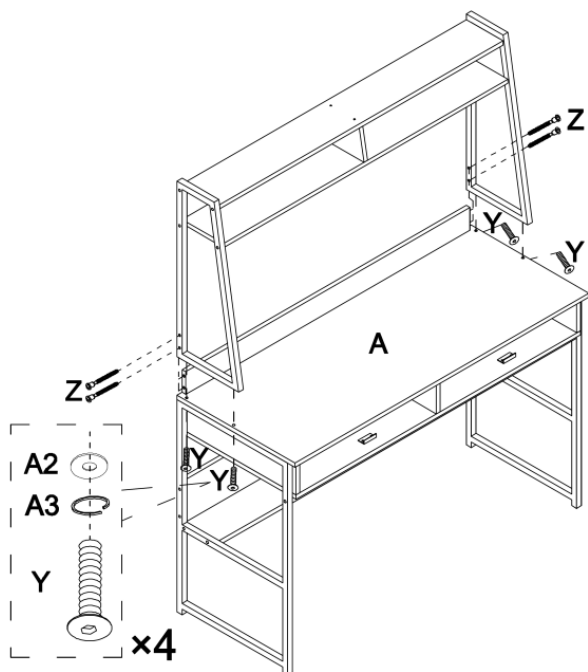
Step 8



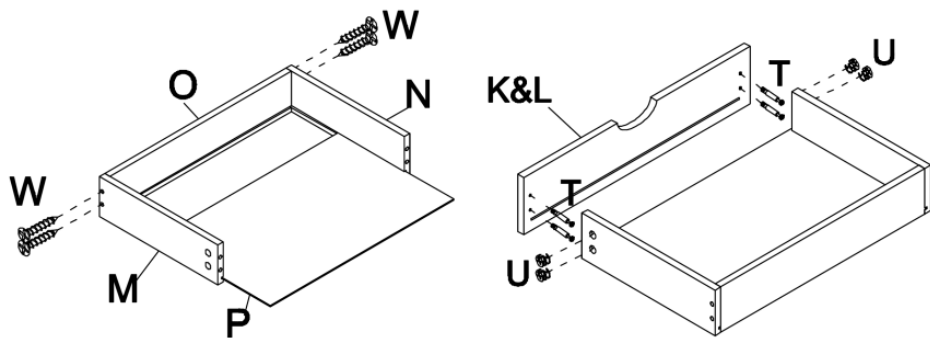
Step 9



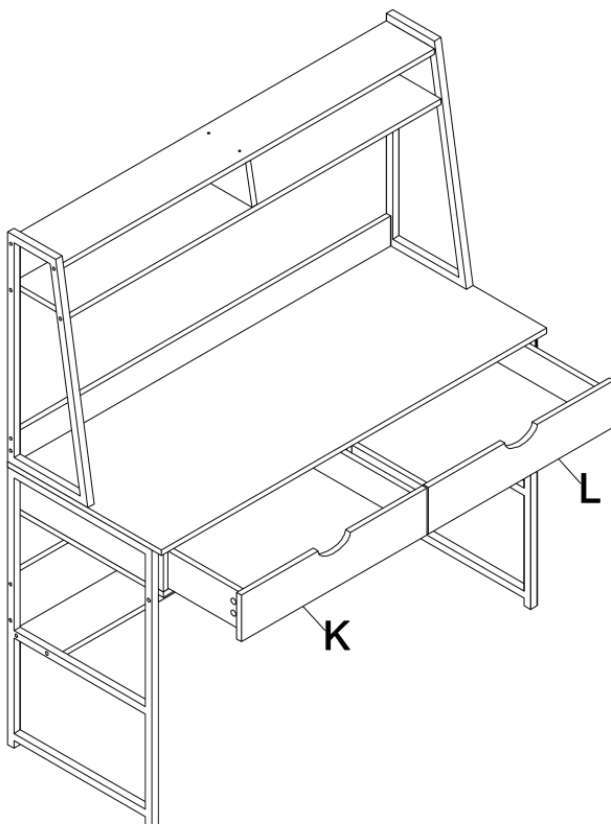
Step 10



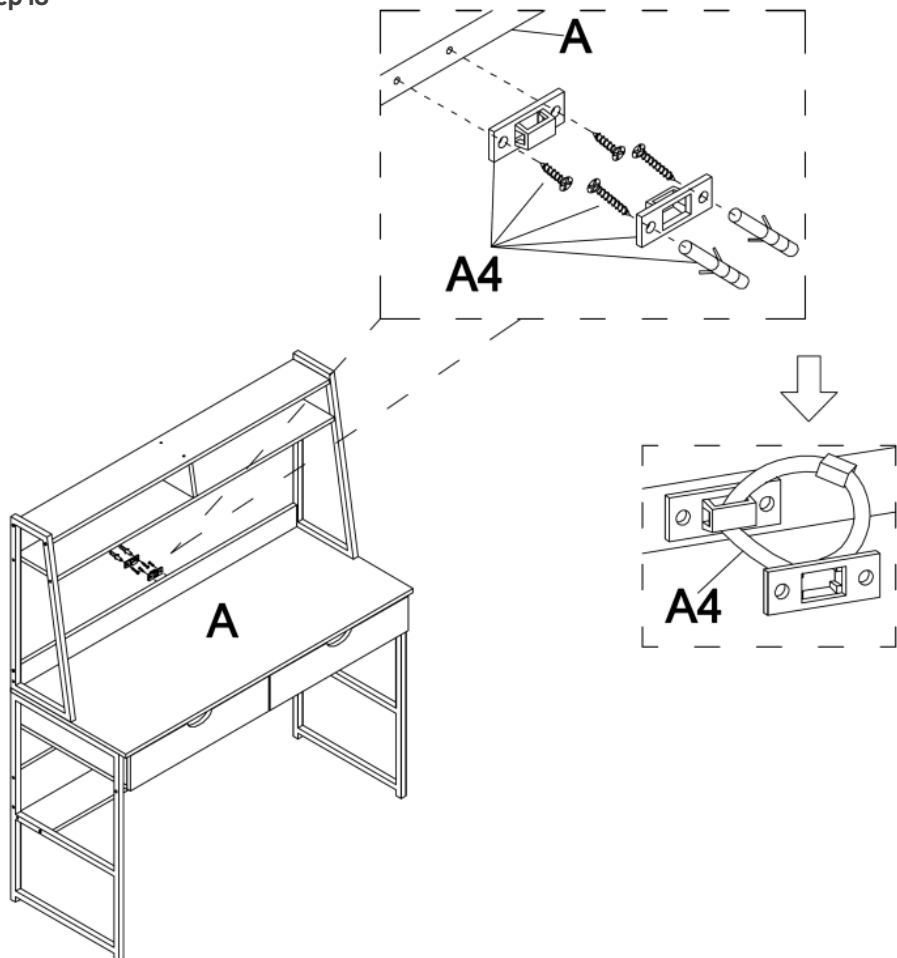
Step 11



Step 12



Step 13



TOPPLING FURNITURE WARNING:

- It is strongly recommended that this product is permanently fixed to the wall.
- Please seek professional advice if you are in doubt of what fixing device to use.
- Regularly check that anchors are securely maintained.
- Stability of tall items may be affected by thick carpets or uneven floors.
- Do not place unanchored televisions on furniture.

Caution! For your safety when attaching the anchor fixings, please note the following: Check any electrical wires or plumbing inside the wall before drilling any holes (if you are unsure please seek professional advice from a qualified tradesperson).

Need more information?

We hope that this user guide has given you the assistance needed for a simple set-up. For the most up-to-date guide for your product, as well as any additional assistance you may require, head online to **help.kogan.com**

kogan.com