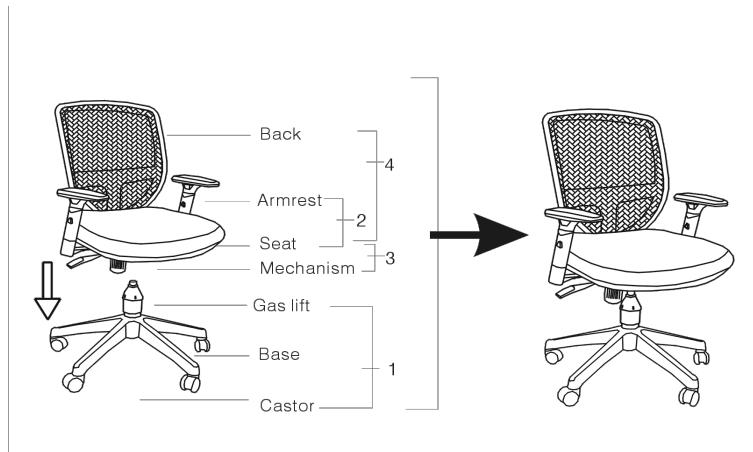
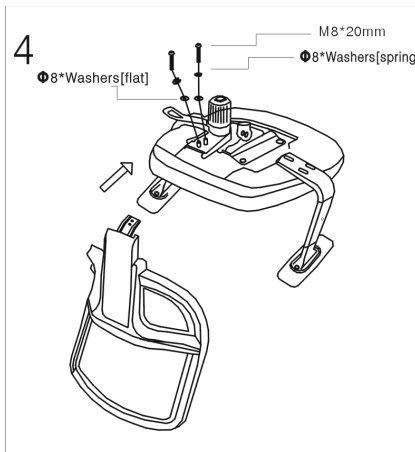
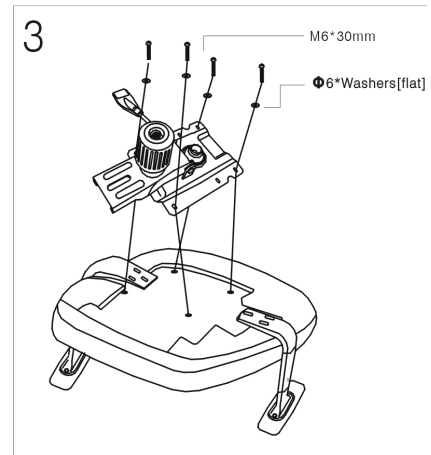
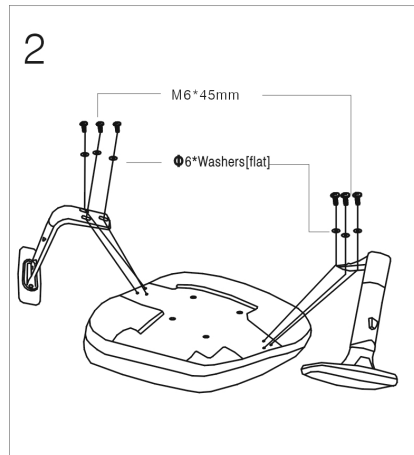
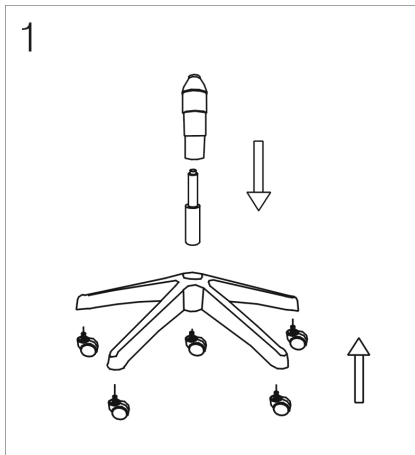





ovela

Mesh Office Chair with Foam Seat - Medium OVMSHOFCHRMDA Quick Start Guide

Assembly



Parts Checklist

		
M6*30mm x 4	M6 x 10	M8 x 2
M8*20mm x 2	M8 x 2	
M6*45mm x 6		

Preventative Maintenance and Warnings

- Only suitable for seating one person at a time.
- Do not use chair as a step stool or ladder.
- Do not use chair unless all bolts and screws are tight.
- Check all bolts and screws at least once every six months to ensure they are tight.
- If any parts are missing, broken, damaged or worn, stop using the chair immediately until the chair is repaired.
- Failure to follow these warnings may result in damage or serious injury.