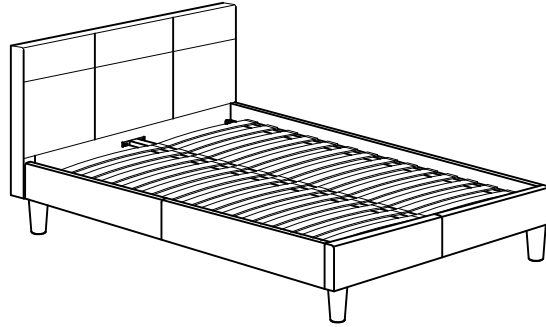


ovela



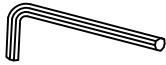
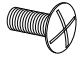
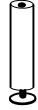

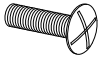
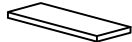



ASSEMBLY INSTRUCTIONS



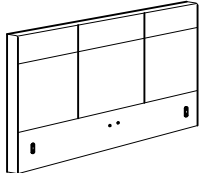
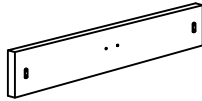

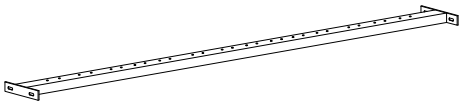
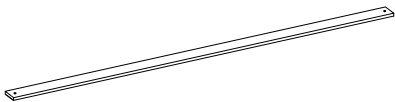
Tools Needed
2 person build



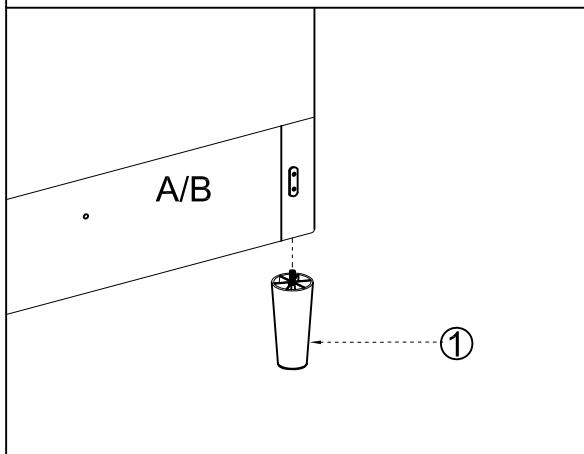
BED FITTINGS

					
Feet	Gold Bolts (m8*18)	Allen Key (M5)	Bolts (m8*20)	Metal Support legs	Washers (m8)
① X 4	② X 8	③ X 1	④ X 6	⑤ X 2	⑥ X 4
					
Bolts (m6*35)	Felt Pad	End plastic cap(Big)	End plastic cap(Small)	Slats	
⑦ X 2	⑧ X 1	⑨ X 14	⑩ X 28	⑪ X 28	

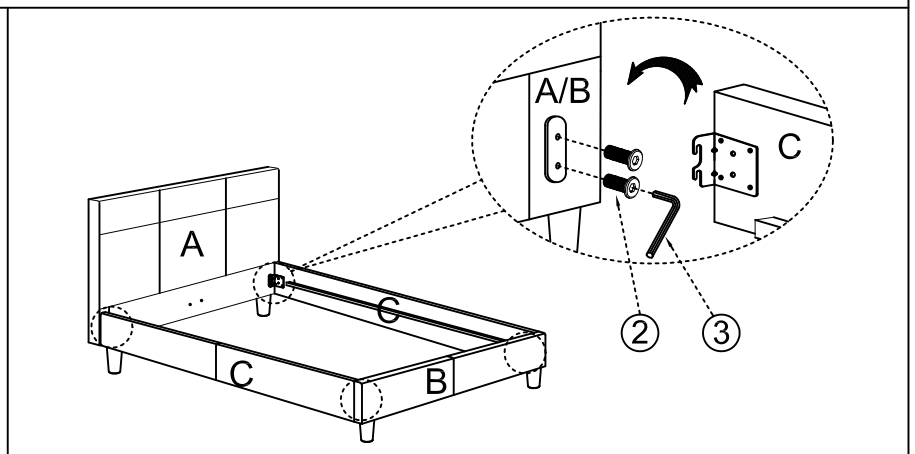
PART LIST

		
Headboard	Footboard	Side Rails
A X 1	B X 1	C X 2
		
Center Rail	Cross Rail	
D X 1	E X 1	

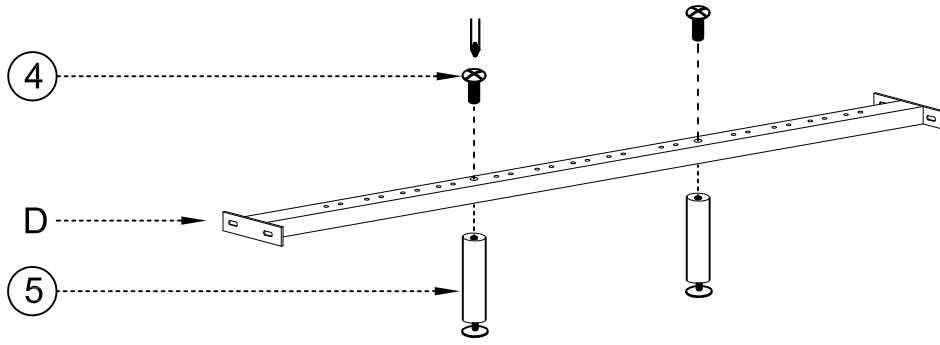
Step 1



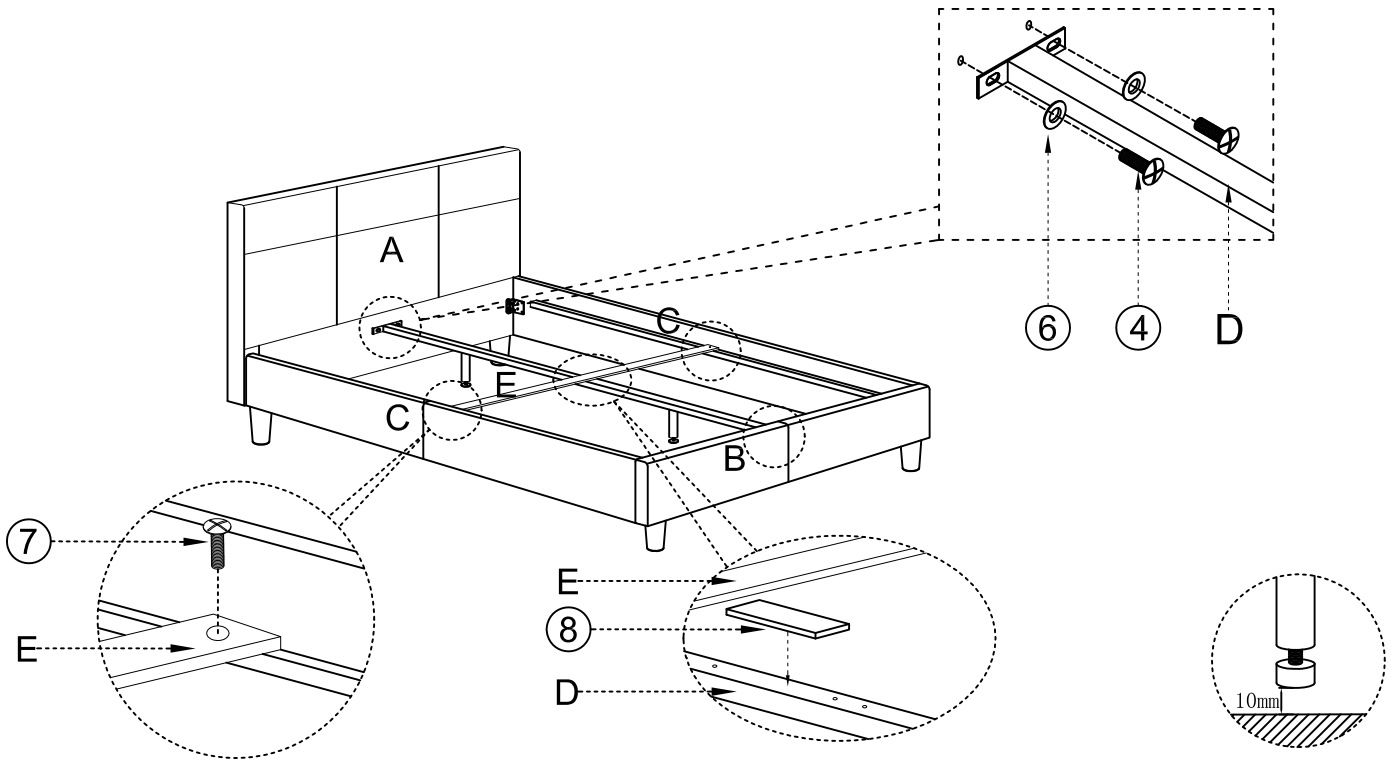
Step 2



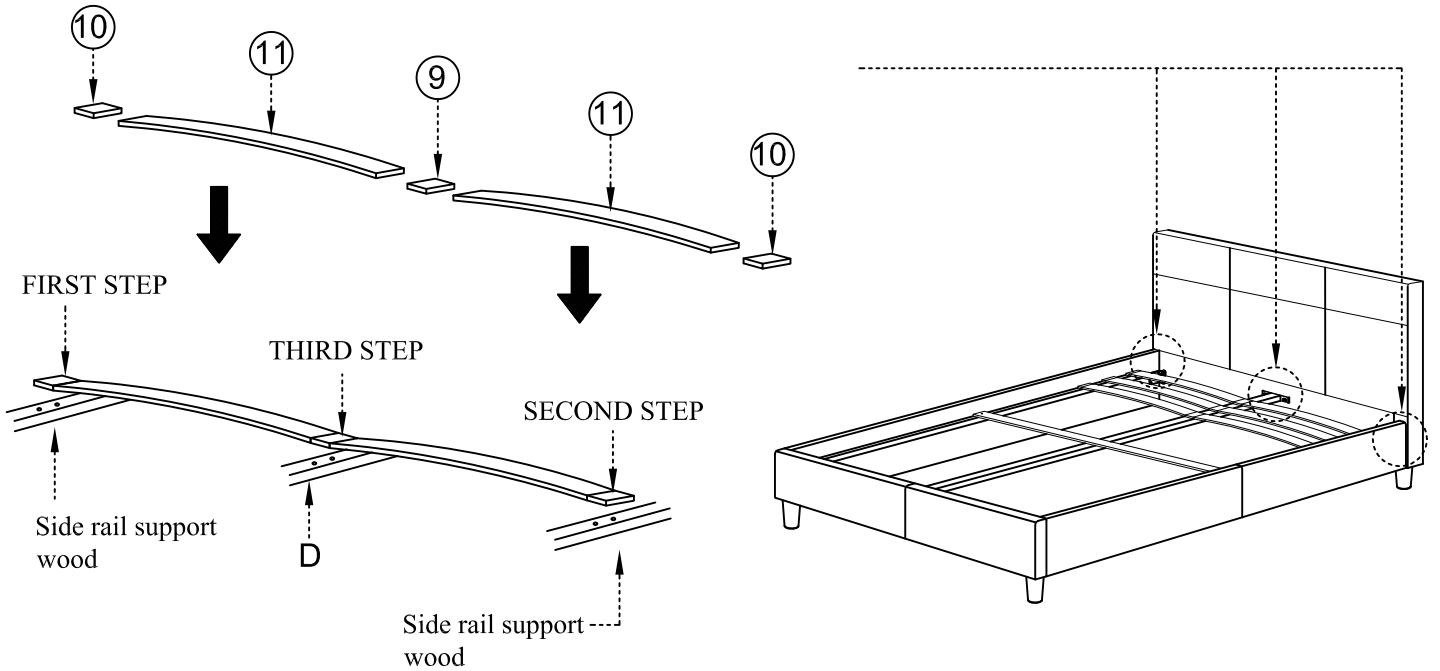
Step 3



Step 4



Step 5



REMARK : ONCE BED IS ASSEMBLED, **DO NOT** SIT, STAND OR APPLY WEIGHT DIRECTLY TO SLATS UNLESS MATTRESS IS IN PLACE.